



ARTICULATING CLAW ASSEMBLIES

Current as of 4--4--17



1273

PARTS LISTING WITH
MOUNTING AND OPERATING
INSTRUCTIONS

Tiger Corporation
3301 N. Louise Ave.
Sioux Falls, SD 57107
1-800-843-6849
1-605-336-7900
www.tiger-mowers.com

34727

TO THE OWNER / OPERATOR / DEALER

All implements with moving parts are potentially hazardous. There is no substitute for a cautious, safe-minded operator who recognizes the potential hazards and follows reasonable safety practices. The manufacturer has designed this implement to be used with all its safety equipment properly attached to minimize the chance of accidents.

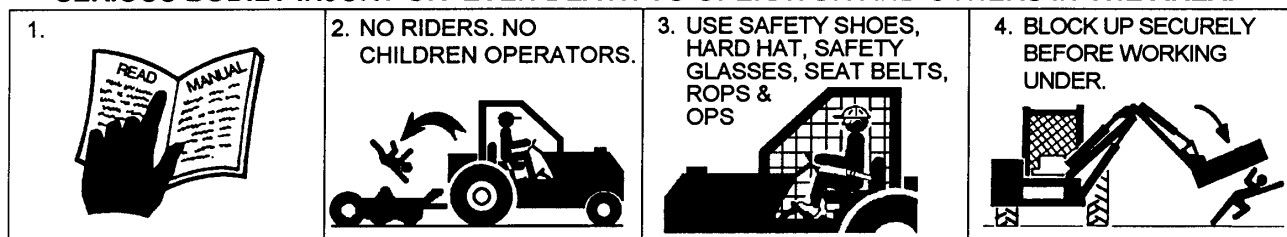
BEFORE YOU START!! Read the safety messages on the implement and shown in this manual. Observe the rules of safety and use common sense!

READ AND UNDERSTAND THIS MANUAL! Non-English speaking operators will need to GET THE MANUAL TRANSLATED as needed!



DANGER

FAILING TO FOLLOW SAFETY MESSAGES AND OPERATING INSTRUCTIONS CAN CAUSE SERIOUS BODILY INJURY OR EVEN DEATH TO OPERATOR AND OTHERS IN THE AREA.



1. Study and understand Operator's Manuals, Safety Decals, and Instructional Decals for tractor and implement to prevent misuse, abuse, and accidents. Practice before operating in a confined area or near passersby.

● Learn how to stop engine suddenly in an emergency. Be alert for passersby and especially children

2. Allow no children on or near folding mower or tractor. Allow no riders on tractor or implement. Falling off may cause serious injury or death from being run over by tractor or mower or contact with rotating blades.

3. Operate only with tractor having Roll-Over Protective Structure (ROPS) and with seat belt securely fastened to prevent injury and possible death from falling off or tractor overturn.

● Personal Protective Equipment such as Hard Hat, Safety Glasses, Safety Shoes, & Ear Plugs are recommended.

4. Block up or support raised machine and all lifted components securely before putting hands or feet under or working underneath any lifted component to prevent crushing injury or death from sudden dropping or inadvertent operation of controls. Make certain area is clear before lowering or folding

5. Before transporting, put Lift Lever in detent or full-lift position. Install Transport Safety Devices securely on folding mowers. Put Booms securely in Transport Rest.

● Folding and Boom Mowers have raised center of gravity. Slow down when turning and on hillsides.

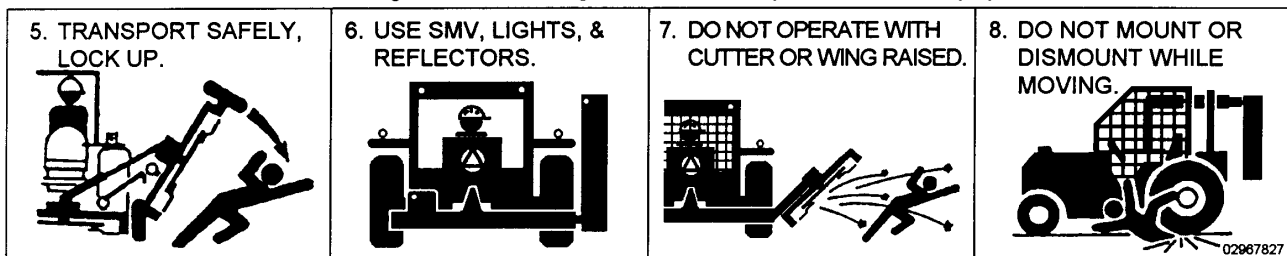
6. Make certain that SMV sign, warning lights, and reflectors are clearly visible. Follow local traffic codes.

7. Never operate with Cutting Head or Folding Section raised if passersby, bystanders, or traffic are in the area to reduce possibility of injury or death from objects thrown by Blades under Guards or mower structure.

8. Before dismounting, secure implement in transport position or lower to ground.

● Put tractor in park or set brake, disengage PTO, stop engine, remove key, and wait until noise of rotation has ceased to prevent crushing by entanglement in rotating parts which could cause injury or death.

● Never mount or dismount a moving vehicle. Crushing from rollover may cause serious injury or death.



02967827

Warranty Information: Read and understand the complete Warranty Statement found in this manual. Fill out the Warranty Registration form in full and return it within 90 days. Make certain the Serial Number of the machine is recorded on the Warranty Card, and form that you retain.

FORWARD

This manual contains information about many features of the Tiger – Claw. Some of these include: Operators, safety precautions, Maintenance, and Operating techniques. This manual will also assist you in the proper break-in, daily care, and troubleshooting of your new claw.

We recommend that you read carefully the entire manual before operating the unit. Also, time spent in becoming fully acquainted with its performance features, adjustments, and maintenance schedules will be repaid in a long and satisfactory life of the equipment.

Tractor Make: _____ Model: _____

Claw Serial #: _____

Attention Owner / Operator / Dealer: It is your obligation to read, and understand, the warranty information section located on the last page of this manual denoting that the purchaser understands the safety issues relating to this machine and has received and will read a copy of this manual.

If at any time, you have a service problem with your Tiger Claw, Contact your local dealer for service and parts needed.

MANUFACTURED BY:

Tiger Corporation
3301 N. Louise Ave.
Sioux Falls, SD 57107
1-800-843-6849
1-605-336-7900
www.tiger-mowers.com

DISTRIBUTED BY:

1- _____ - _____ - _____
1- _____ - _____ - _____

TABLE OF CONTENTS

SAFETY _____	1-1
Safety Information_____	1-2
ASSEMBLY / MOUNTING SECTION _____	2-1
OPERATION SECTION _____	3-1
MAINTENANCE SECTION _____	4-1
PARTS SECTION _____	5-1
Parts Ordering Guide_____	5-2
Parts Table of Contents_____	5-3
WARRANTY INFORMATION _____	7-1



1012

This symbol means:

CAUTION – YOUR SAFETY IS AT RISK!

When you see this symbol, read and follow the associated instructions carefully or personal injury or damage may result.

Tiger is a registered trademark.



SAFETY SECTION

SAFETY

A safe and careful operator is the best operator. Safety is of primary importance to the manufacturer and should be to the owner / operator. Most accidents can be avoided by being aware of your equipment, your surroundings, and observing certain precautions. The first section of this manual includes a list of Safety Messages that, if followed, will help protect the operator and bystanders from injury or death. Read and understand these Safety Messages before assembling, operating or servicing this mower. This equipment should only be operated by those persons who have read the Manual, who are responsible and trained, and who know how to do so safely and responsibly.

The Safety Alert Symbol combined with a Signal Word, as seen below, is used throughout this manual and on decals which are attached to the equipment. The Safety Alert Symbol means: “**ATTENTION! BECOME ALERT! YOUR SAFETY IS INVOLVED!**” The symbol and signal word are intended to warn the owner / operator of impending hazards and the degree of possible injury when operating this equipment.

Practice all usual and customary safe working precautions and above all -- remember safety is up to YOU! Only YOU can prevent serious injury or death from unsafe practices.



This is the Safety Alert Symbol. When you see this symbol on your machine or in these instructions, be alert to the potential for personal injury

CAUTION!



The lowest level of Safety Message; warns of possible injury. Decals located on the equipment with this signal word are Black and Yellow.

WARNING!



Serious injury or possible death! Decals are Black and Orange.

DANGER!



Imminent death / critical injury. Decals are Red and White.

READ, UNDERSTAND, and FOLLOW the following Safety Messages. Serious injury or death may occur unless care is taken to follow the warnings and instructions stated in the Safety Messages. Always use good common sense to avoid hazards.

SAFETY INSTRUCTIONS



(SG-2)

SAFETY

PELIGRO!



Si no lee Ingles, pida ayuda a alguien que si lo lea para que le traduzca las medidas de seguridad. (SG-3)

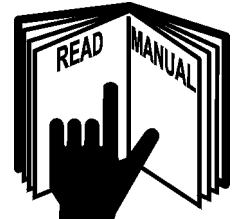


¡ LEA EL INSTRUCTIVO!

DANGER!



Never operate the Tractor or Implement until you have read and completely understand this Manual, the Tractor Operator's Manual, and each of the Safety Messages found in the Manual or on the Tractor and Implement. Learn how to stop the tractor engine suddenly in an emergency. Never allow inexperienced or untrained personnel to operate the Tractor and Implement without supervision. Make sure the operator has fully read and understood the manuals prior to operation. (SG-4)



WARNING!

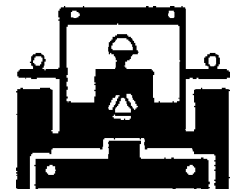


Always maintain the safety decals in good readable condition. If the decals are missing, damaged, or unreadable, obtain and install replacement decals immediately. (SG-5)

WARNING!



Make certain that the "Slow Moving Vehicle" (SMV) sign is installed in such a way as to be clearly visible and legible. When transporting the Equipment use the Tractor flashing warning lights and follow all local traffic regulations. (SG-6)



WARNING!



Operate this Equipment only with a Tractor equipped with an approved roll-over-protective system (ROPS). Always wear seat belts. Serious injury or even death could result from falling off the tractor--particularly during a turnover when the operator could be pinned under the ROPS. (SG-7)



WARNING!

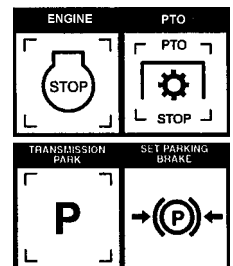


Do not modify or alter this Implement. Do not permit anyone to modify or alter this Implement, any of its components or any Implement function. (SG-8)

DANGER!



BEFORE leaving the tractor seat, always engage the brake and/or set the tractor transmission in parking gear, disengage the PTO, stop the engine, remove the key, and wait for all moving parts to stop. Place the tractor shift lever into a low range or parking gear to prevent the tractor from rolling. Never dismount a Tractor that is moving or while the engine is running. Operate the Tractor controls from the tractor seat only. (SG-9)



SAFETY

DANGER!



Never allow children or other persons to ride on the Tractor or Implement. Falling off can result in serious injury or death.

(SG-10)



DANGER!



Never allow children to operate or ride on the Tractor or Implement.

(SG-11)



WARNING!



Do not mount the Tractor while the tractor is moving. Mount the Tractor only when the Tractor and all moving parts are completely stopped.

12)

(SG-



DANGER!



Start tractor only when properly seated in the Tractor seat. Starting a tractor in gear can result in injury or death. Read the Tractor operators manual for proper starting instructions. (SG-13)



DANGER!



Never work under the Implement, the framework, or any lifted component unless the Implement is securely supported or blocked up to prevent sudden or inadvertent falling which could cause serious injury or even death. (SG-14)



DANGER!



Do not operate this Equipment with hydraulic oil leaking. Oil is expensive and its presence could present a hazard. Do not check for leaks with your hand! Use a piece of heavy paper or cardboard. High-pressure oil streams from breaks in the line could penetrate the skin and cause tissue damage including gangrene. If oil does penetrate the skin, have the injury treated immediately by a physician knowledgeable and skilled in this procedure. (SG-15)



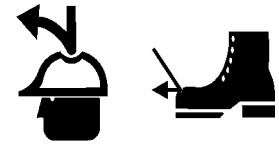
SAFETY

WARNING!



The operator and all support personnel should wear hard hats, safety shoes, safety glasses, and proper hearing protection at all times for protection from injury including injury from items thrown by the equipment.

(SG-16)



CAUTION!



PROLONGED EXPOSURE TO LOUD NOISE MAY CAUSE PERMANENT HEARING LOSS! Tractors with or without an Implement attached can often be noisy enough to cause permanent hearing loss. We recommend that you always wear hearing protection if the noise in the Operator's position exceeds 80db. Noise over 85db over an extended period of time will cause severe hearing loss. Noise over 90db adjacent to the Operator over an extended period of time will cause permanent or total hearing loss. *Note:* Hearing loss from loud noise [from tractors, chain saws, radios, and other such sources close to the ear] is cumulative over a lifetime without hope of natural recovery. (SG-17)



WARNING!

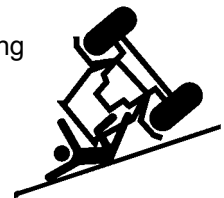


Transport only at safe speeds. Serious accidents and injuries can result from operating this equipment at unsafe speeds. Understand the Tractor and Implement and how it handles before transporting on streets and highways. Make sure the Tractor steering and brakes are in good condition and operate properly.



Before transporting the Tractor and Implement, determine the safe transport speeds for you and the equipment. Make sure you abide by the following rules:

1. Test the tractor at a slow speed and increase the speed slowly. Apply the Brakes smoothly to determine the stopping characteristics of the Tractor and Implement. As you increase the speed of the Tractor the stopping distance increases. Determine the maximum safe transport speed for you and this Equipment.
2. Test the equipment at a slow speed in turns. Increase the speed through the turn only after you determine that it is safe to operate at a higher speed. Use extreme care and reduce your speed when turning sharply to prevent the tractor and implement from turning over. Determine the maximum safe turning speed for you and this equipment before operating on roads or uneven ground.
3. Only transport the Tractor and Implement at the speeds that you have determined are safe and which allow you to properly control the equipment.



Be aware of the operating conditions. Do not operate the Tractor with weak or faulty brakes. When operating down a hill or on wet or rain slick roads, the braking distance increases: use extreme care and reduce your speed. When operating in traffic always use the Tractor's flashing warning lights and reduce your speed. Be aware of traffic around you and watch out for the other guy (SG-19)

SAFETY

WARNING!



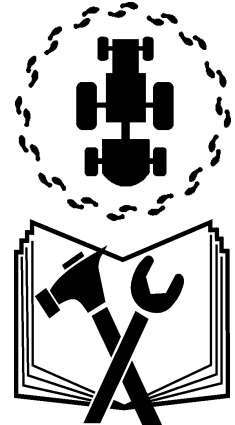
Never attempt to lubricate, adjust, or remove material from the Implement while it is in motion or while tractor engine is running. Make sure the tractor engine is off before working on the Implement.

(SG-20)

WARNING!



Periodically inspect all moving parts for wear and replace when necessary with authorized service parts. Look for loose fasteners, worn or broken parts, and leaky or loose fittings. Make sure all pins are properly secured. Serious injury may occur from not maintaining this machine in good working order. (SG-21)



WARNING!



Always read carefully and comply fully with the manufacturers instructions when handling oil, solvents, cleansers, and any other chemical agent. (SG-22)



DANGER!



Never run the tractor engine in a closed building or without adequate ventilation. The exhaust fumes can be hazardous to your health.

(SG-23)

DANGER!



KEEP AWAY FROM ROTATING ELEMENTS to prevent entanglement and possible serious injury or death.

(SG-24)



DANGER!



Never allow children to play on or around Tractor or Implement. Children can slip or fall off the Equipment and be injured or killed. Children can cause the Implement to shift or fall crushing themselves or others. (SG-25)

DANGER!



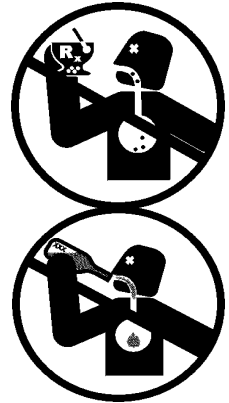
Operate the Tractor and/or Implement controls only while properly seated in the Tractor seat with the seat belt securely fastened around you. Inadvertent movement of the Tractor or Implement may cause serious injury or death. (SG-29)

SAFETY

DANGER!



NEVER use drugs or alcohol immediately before or while operating the Tractor and Implement. Drugs and alcohol will affect an operator's alertness and coordination and therefore affect the operator's ability to operate the equipment safely. Before operating the Tractor or Implement, an operator on prescription or over-the-counter medication must consult a medical professional regarding any side effects of the medication that would hinder their ability to operate the Equipment safely. **NEVER** knowingly allow anyone to operate this equipment when their alertness or coordination is impaired. Serious injury or death to the operator or others could result if the operator is under the influence of drugs or alcohol. (SG-27)



DANGER!



The rotating parts of this machine have been designed and tested for rugged use. However, the blades could fail upon impact with heavy, solid objects such as metal guard rails and concrete structures. Such impact could cause the broken objects to be thrown outward at very high velocities. To reduce the possibility of property damage, serious injury, or even death, never allow the cutting blades to contact such obstacles. (SGM-4)

WARNING!



Many varied objects, such as wire, cable, rope, or chains, can become entangled in the operating parts of the head. These items could then swing outside the housing at greater velocities than the blades. Such a situation is extremely hazardous and could result in serious injury or even death. Inspect the cutting area for such objects. Remove any like object from the site. Never allow the cutting blades to contact such items. (SGM-6)

WARNING!

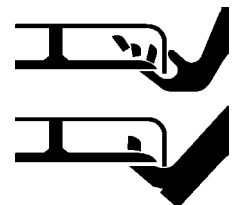


Avoid operating in reverse direction when possible. Check to make sure there are no persons behind the head and use extreme care when moving in reverse. Move only at a slow ground speed where you can safely operate and control the tractor. (SGM-8)

WARNING!



Do not put hands or feet under the head. Blade Contact can result serious injury or even death. Stay away until all motion has stopped. (SGM-9)



DANGER!



Replace bent or broken blade with new blades. **NEVER ATTEMPT TO STRAIGHTEN OR WELD ON BLADES SINCE THIS WILL LIKELY CRACK OR OTHERWISE DAMAGE THE BLADE WITH SUBSEQUENT FAILURE AND POSSIBLE SERIOUS INJURY FROM THROWN BLADES.** (SGM-10)

SAFETY

WARNING!



Keep fingers clear of adjusting holes. A sudden movement could cause injury or even amputate fingers. **KEEP CHILDREN AWAY WHEN MAKING ADJUSTMENTS.**

WARNING!



Be particularly careful when transporting the Implement with the tractor. Turn curves or go up hills only at a low speed and using a gradual steering angle. Rear mounted implements move the center of gravity to the rear and remove weight from the front wheels. Make certain, by adding front ballast, that at least 20% of the tractor's weight is on the front wheels to prevent rearing up, loss of steering control or tractor tipover. Slow down on rough or uneven surfaces to prevent loss of steering control which could result in property damage or possible injury. Do not transport unless 3-point lift lever is fully raised and in the latched transport position. Dropping implement in transport can cause serious damage to the tractor and/or implement and possibly cause the operator or others to be injured or killed.

DANGER!



This Implement is wider than the Tractor. Be careful when operating or transporting this equipment to prevent the implement from running into or striking sign posts, guard rails, concrete abutments or other solid objects. Such an impact could cause the implement and tractor to pivot violently resulting in loss of steering control, serious injury or even death. Never allow the implement to contact obstacles.

DANGER!



There are obvious and hidden potential hazards in operating Rear Blades as in all power-driven equipment. **REMEMBER!** This machine is often operated in rough terrain conditions that include gullies, holes, slopes, hidden obstructions and the like. Serious injury or even death may occur unless care is taken to assure the safety of the operator and bystanders in the area.

DANGER!



NEVER STORE BLADE WITH HITCH UPWARD POSITION. Inadvertent falling could cause serious injury or even death. **ALWAYS LOWER HITCH ONTO STAND** or onto secure blocks.

DANGER!



Never leave blade unattended in the lifted position. Accidental operation of lifting lever or a hydraulic failure may cause sudden drop of unit with subsequent injury or death by crushing. Lower stand and pin in place, or put a secure support under the A-frame. Lower blade carefully to the ground. Do not put hands or feet under lifted components.

WARNING!



Rear blades can fall down if not properly supported. Always use the stand on the front hitch or block up securely to prevent falling and possible crushing injury and/or back injury from lifting heavy components.

SAFETY

WARNING!



Never Leave the unit unattended while the head is in the raised position. The head could fall causing serious injury to anyone who might inadvertently be under the head

(SBM-4)

DANGER!



Relieve hydraulic pressure prior to doing any maintenance or repair work on the Implement. Place the head on the ground or securely supported on blocks or stands, disengage the PTO, and turn off the engine. Push and pull the control Levers several times to relieve pressure prior to starting any maintenance or repair work.

(SBM-6)

WARNING!



Engine Exhaust, some of its constituents, and certain components contain or emit chemicals known to the state of California to cause cancer and birth or other reproductive harm.

WARNING!



Battery posts, terminals and related accessories contain lead and lead compounds, chemicals known to the state of California to cause cancer and birth or other reproductive harm.

Wash hands after handling!

Tiger mowers use balanced and matched system components for blade carriers, blades, cutter-shafts, knives, knife hangers, rollers, drive-train components and bearings. These parts are made and tested to Tiger specifications. Non-genuine “will fit” parts do not consistently meet these specifications. The use of “will fit” parts may reduce mower performance, void mower warranties and present a safety hazard. Use genuine Tiger mower parts for economy and safety.

SEE YOUR  DEALER

In addition to the design and configuration of this Implement, including Safety Signs and Safety Equipment, hazard control and accident prevention are dependent upon the awareness, concern, prudence, and proper training of personnel involved in the operation, transport, maintenance, and storage of the machine. Refer also to Safety Messages and operation instruction in each of the appropriate sections of the Tractor and Equipment Manuals. Pay close attention to the Safety Signs affixed to the Tractor and Equipment. (SG-18)

SAFETY

DANGER

FAILING TO FOLLOW SAFETY MESSAGES AND OPERATING INSTRUCTIONS CAN CAUSE SERIOUS BODILY INJURY OR EVEN DEATH TO OPERATOR AND OTHERS IN THE AREA.

<p style="font-size: 0.7em;">1.</p>	<p style="font-size: 0.7em;">2. NO RIDERS, NO CHILDREN OPERATORS</p>	<p style="font-size: 0.7em;">3. USE SAFETY SHOES, HARD HAT, SAFETY GLASSES, SEATBELTS, & ROPS</p>	<p style="font-size: 0.7em;">4. BLOCK UP SECURELY BEFORE WORKING UNDER</p>
-------------------------------------	--	---	--

1. Study and understand Operator's Manuals, Safety Signs, and Instructional Decals for tractor & flail mower to prevent misuse, abuse, & accidents. Practice before operating mower in a confined area or near passersby.
 • Learn how to stop engine suddenly in an emergency. Be alert for passersby and especially children.

2. Allow no children on or near implement or tractor. Allow no riders on tractor or implement. Falling off can cause serious injury or death from being runover by tractor or mower or contact with Flail Mower Blades.

3. Operate only with tractor having Roll-Over Protective Structure (ROPS) and with seatbelt fastened securely and snugly to prevent injury and possible death from falling off or tractor overturn. Personal Protective Equipment such as Hard Hat, Safety Glasses, Safety Shoes, and Ear Plugs are recommended.

4. Block up or support raised machine and all lifted components securely before putting hands or feet under or working underneath any lifted component to prevent crushing injury or death from sudden dropping or inadvertent operation of controls. Make certain that area is clear before lowering or folding.

5. Before transporting, put Lift Lever in detent or full-lift position. Install Transport Safety Devices securely on folding implements. Slow down when turning and on hillsides.
 • Install "Restrictor" in folding circuit to slow down lowering and unfolding if action is faster than is desirable.

6. Make certain that SMV sign, Warning Lights, and Reflectors are clearly visible. Follow local traffic codes.

7. Never operate with Flail Mower or Folding Section raised if passersby, bystanders or traffic are in the area to reduce possibility of injury or death from objects thrown by Blades under Shields or implement structure.

8. Before dismounting, secure flail mower in transport position or lower to ground.
 • Put tractor in park or set brake, disengage PTO, stop engine, remove key, and wait until noise of rotation has ceased to prevent entanglement in rotating parts which may cause injury or death.
 • Never mount or dismount a moving vehicle. Crushing from runover may cause injury or death.

<p style="font-size: 0.7em;">5. TRANSPORT SAFELY, LOCK UP.</p>	<p style="font-size: 0.7em;">6. USE SMV LIGHTS, & REFLECTORS.</p>	<p style="font-size: 0.7em;">7. DO NOT OPERATE WITH MOWER OR WING RAISED</p>	<p style="font-size: 0.7em;">8. DO NOT MOUNT OR DISMOUNT WHILE MOVING.</p>
--	---	--	--

PART NO.
LOCATION

002369
INSIDE OF CAB

PELIGRO

LEA EL INSTRUCTIVO

Si No Lee Ingles, Pida Ayuda a Alguien Que Si Lo Lea Para Que le Traduzca las Medidas de Seguridad.

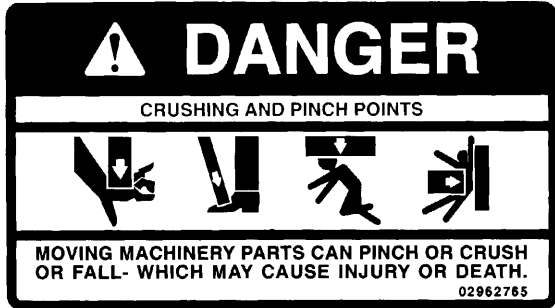
00725746

00725746
INSIDE OF CAB

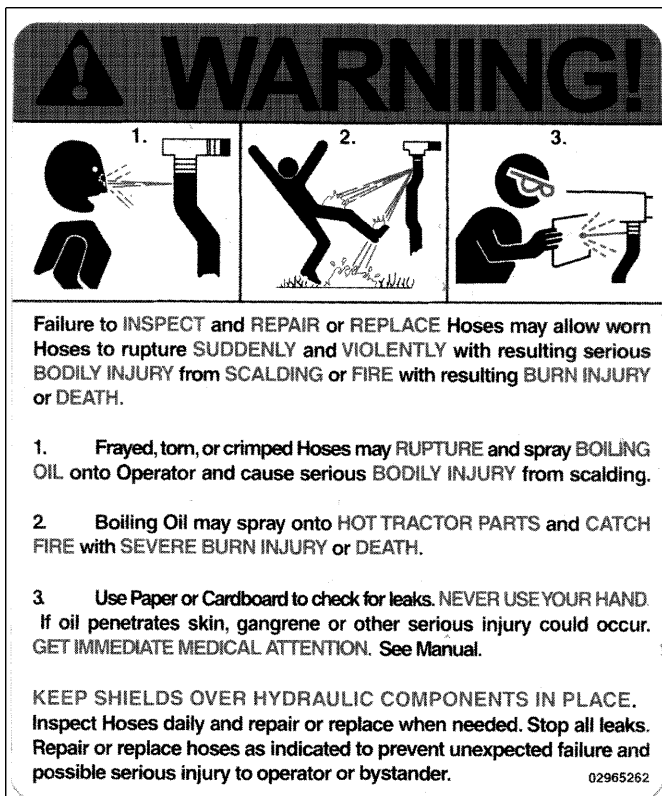


02962764
A - FRAME, ADJUSTMENT ARM

SAFETY



02962765
A - FRAME, MAST



02965262
A - FRAME, MAST



25387
A - FRAME, MAST

SAFETY

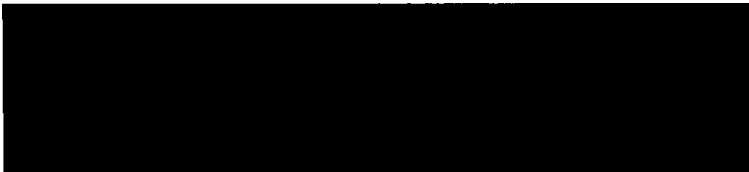
CAUTION

For your safety and to guarantee optimum product reliability, always use genuine TIGER replacement parts. The use of inferior "will-fit" parts will void warranty of your TIGER implement and may cause premature or catastrophic failure which can result in serious injury or death. If you have any questions concerning the repair parts you are using, contact TIGER, 3301 N. LOUISE AVE., SIOUX FALLS, SD 57107

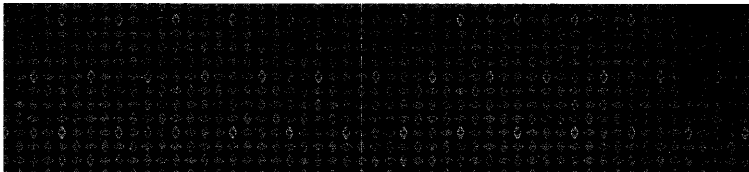
32709

PART NO.
LOCATION

32709
INSIDE OF CAB



RED 42399
REFLECTIVE TAPE
A - FRAME, MAST, BACK SIDE
HEAD FRAME, BACK SIDE



AMBER 42400
REFLECTIVE TAPE
A - FRAME, BEAM, FRONT SIDE
HEAD FRAME, FRONT SIDE



6T3217
HEAD FRAME, TOP AND SIDES



6T3219
INSIDE OF CAB

SAFETY



PART NO.
LOCATION

6T3236
A - FRAME, MAST, BACK SIDE



34218
A - FRAME, BEAM, BACKSIDE
HEAD FRAME, BACK SIDE
HEAD FRAME, FRONT SIDE



34219
A - FRAME, BEAM, BACKSIDE
HEAD FRAME, BACK SIDE
HEAD FRAME, FRONT SIDE

SAFETY

FEDERAL LAWS AND REGULATIONS

This section is intended to explain in broad terms the concept and effect of federal laws and regulations concerning employer and employee equipment operators. This section is not intended as a legal interpretation of the law and should not be considered as such.

Employer-Employee Operator Regulations

U.S. Public Law 91-596 (The Williams-Steiger Occupational and Health Act of 1970) OSHA

This Act Seeks:

“...to assure so far as possible every working man and woman in the nation safe and healthful working conditions and to preserve our human resources...”

DUTIES

Sec. 5 (a) Each employer-

(1) shall furnish to each of his employees employment and a place of employment which are free from recognized hazards that are causing or are likely to cause death or serious physical harm to his employees;

(2) shall comply with occupational safety and health standards promulgated under this Act.

(b) Each employee shall comply with occupational safety and health standards and all rules, regulations and orders issued pursuant to this Act which are applicable to his own actions and conduct.

OSHA Regulations

OSHA regulations state in part: “At the time of initial assignment and at least annually thereafter, the employer shall instruct every employee in the safe operation and servicing of all equipment with which the employee is, or will be involved.”

Employer Responsibilities:

To ensure employee safety during Tractor and Implement operation, it is the employer's responsibility to:

1. Train the employee in the proper and safe operation of the Tractor and Implement.
2. Require that the employee read and fully understand the Tractor and Implement Operator's manual.
3. Permit only qualified and properly trained employees to operate the Tractor and Implement.
4. Maintain the Tractor and Implement in a safe operational condition and maintain all shields and guards on the equipment.
5. Ensure the Tractor is equipped with a functional ROPS and seat belt and require that the employee operator securely fasten the safety belt and operate with the ROPS in the raised position at all times.
6. Forbid the employee operator to carry additional riders on the Tractor or Implement.
7. Provide the required tools to maintain the Tractor and Implement in a good safe working condition and provide the necessary support devices to secure the equipment safely while performing repairs and service.

Child Labor Under 16 Years of Age

Some regulations specify that no one under the age of 16 may operate power machinery. It is your responsibility to know what these regulations are in your own area or situation. (Refer to U.S. Dept. of Labor, Employment Standard Administration, Wage & Home Division, Child Labor Bulletin #102.)

ASSEMBLY SECTION

ASSEMBLY

Before attempting to mount or service your Tiger Claw, it is important to read and understand all of the Safety Messages in the Safety section of this manual.

Check complete shipment list against the packing list to make sure there are no shortages. Make certain the tractor model is the appropriate one for the equipment received!

WARNING!



Use a floor jack, hoist or fork lift to lift or raise heavy parts whenever possible whether mentioned or not.

Read and understand the entire assembly section instructions before attempting to mount your Tiger mower. Refer to the parts section of this manual for detailed illustrations to locate all parts.

ADJUSTING REAR WHEELS

Raise rear of tractor onto jack-stands. **Follow the instructions in the tractor owners manual for adjusting tires and rims.** The back wheels **MUST** be adjusted to the widest setting. **NOTE:** This may require switching the wheels to opposite sides of tractor. Also take note of any width restrictions when transporting by trailer.

ASSEMBLY

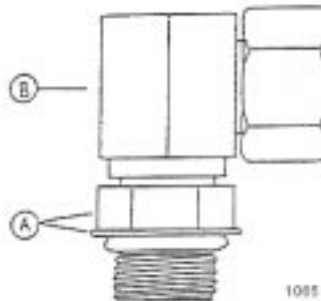
Assemble the A-frame to the beam, install the brace between the beam and A-frame and attach the hydraulic cylinder using hardware supplied as shown in the parts section.

INSTALLING NATIONAL PIPE FITTINGS

Whenever installing a pipe fitting, wrap the threads clockwise (looking at the end) with teflon tape. In this way, the tape will be tightened when installed. **NOTE:** It is not necessary to tape O-ring fittings, or those installed in swivels.

INSTALLING O-RING FITTINGS

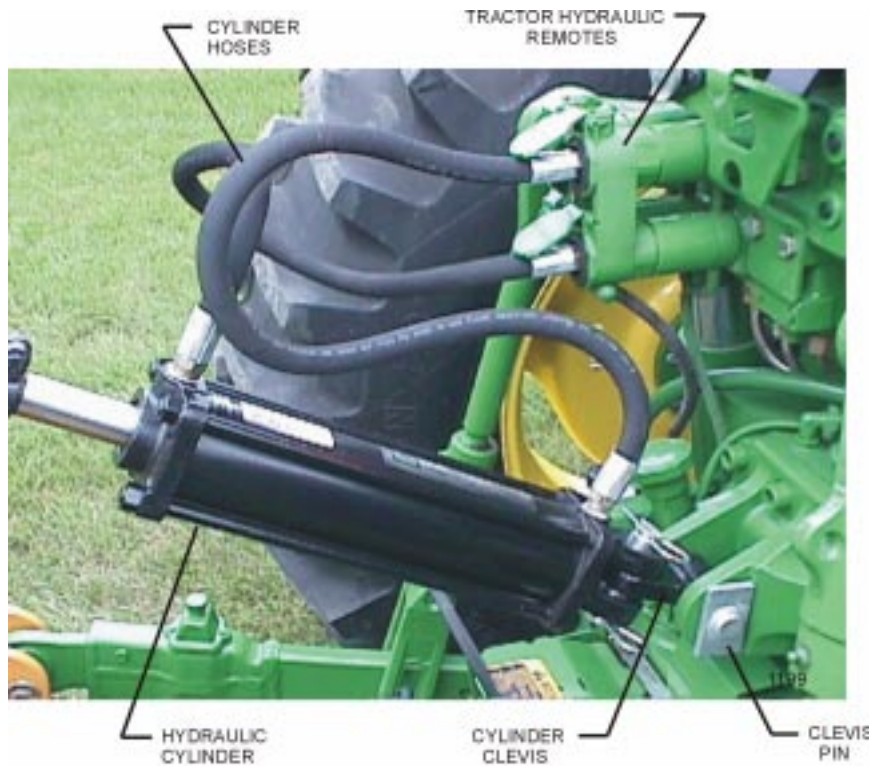
Installing straight, 45 degree and 90 degree O-ring fittings requires that the O-ring, washer and nut (A) be up against the swivel body (B). Insert the swivel and turn in until the swivel is pointed in the right direction and the O-ring contact is made. Hold swivel in set direction with a wrench and turn the O-ring nut away from the swivel body and carefully tighten.



ASSEMBLY

3-POINT MOUNTING

Before installing the claw onto the 3-point hitch, you must adjust the 3-point lever (at the right of the seat) to the approx. position to match the tractor 3-point arms to the lower 3-point pin on the Claw. (See tractor owners manual for further instruction on use of the 3-point hitch). Next, install the Claw onto the 3-point hitch using the pins as shown in the parts illustration. Then install the top link cylinder to the tractor and the top A-Frame arm. Next hook-up the hydraulic cylinder hoses to the tractor remote hydraulic couplers. Further adjustment may be required, adjust the tractor's lift arms to level the Claw's frame. Using the side turnbuckles or stabilizer bars, adjust the 3-point to prevent any side movement. Check you local width regulations before transporting your Claw.



ASSEMBLY

FINAL PREPARATION FOR OPERATION

Place operators safety and operation decals on the steering column side counsel where they are clearly visible to the operator. These decals should be understood by each operator of the machine in conjunction with the safety and operation section of this book. The decals are to remain in good condition as a reminder to the operator, and should be replaced if damaged.

Finally, all bosses, pins and pivot points will need to be greased as instructed in the maintenance section of this manual. Double check all fittings and fasteners BEFORE starting tractor. Also secure any loose hoses together with zip ties and wrap with split hoses where friction may occur on the hoses.

WARNING!



BEFORE starting or operating the tractor you must read and understand the safety and operation sections of this manual completely.

Start tractor and allow instruments to stabilize. Using a piece of paper or cardboard as noted in the safety and maintenance sections, check all fittings and connections for hydraulic leaks.

If a leak is found, you must shut down the tractor, set the blade on the ground. Before attempting to fix the leak, you must actuate the lift valve handles several times to relieve any pressure in the lines.

Before operating the Claw, the blade should be slowly moved throughout the full range of motion. Watch for any condition that would cause pinching or excess stress on the hoses. If any condition occurs, stop immediately and adjust or correct the problem before continuing with operations.

OPERATION TESTING

Take the tractor to a test location free of potential hazards. Follow the instructions in the operation section to operate the Claw. Vibration of the Claw should be minimal at all times. After a 5 minute test run, the blade bolts should be retorqued and once again after the first few hours of operation.

If any parts of this assembly section, or any other section of this manual are not clearly understood you must contact your dealer or the address on the front of this manual for assistance!

OPERATION SECTION

OPERATION

Safety is of primary importance to the owner / operator and to the manufacturer . The first section of this manual includes a list of Safety Messages, that, if followed, will help protect the operator and bystanders from injury or death. Many of the messages will be repeated throughout the manual. The owner / operator / dealer should know these Safety Messages before assembly and be aware of the hazards of operating this mower during assembly, use, and maintenance.

The **Safety Alert Symbol** combined with a signal word, as seen below, is intended to warn the owner / operator of impending hazards and the degree of injury possible during operation.

CAUTION!



The lowest level of Safety Message; Warns of possible minor injury. Decals located on the cutter with this Signal Word are Black and Yellow.

WARNING!



Serious injury or possible death! Decals are Black and Orange.

DANGER!



Imminent death / critical injury. Decals are Red and White.

WARNING!



Many varied objects, such as wire, cable, rope, or chains, can become entangled in the operating parts of the head. These items could then swing outside the housing at greater velocities than the blades. Such a situation is extremely hazardous and could result in serious injury or even death. Inspect the cutting area for such objects. Remove any like object from the site. Never allow the cutting blades to contact such items. (SGM-6)

CAUTION!



Before any operation of tractor, the user should read and understand the safety and operating instructions for both the tractor and the unit. The user should also be familiar with the location and functions of the units instruments and controls. Being familiar with the machine and it's controls will increase efficiency and reduce possibility of serious injury or damage to the unit. The operator should work slowly and carefully until he feels comfortable with the machine. Speed and skill will be attained much easier if the necessary time is spent to familiarize yourself with the machine and its operations.

Since tractor makes and models vary, we recommend reading and following the operators manual provided by the manufacturer pertaining to your particular unit.

OPERATION

FIELD OPERATION AND ADJUSTMENT

Check the operators manual received from the tractor manufacturer, for their recommendation and procedures pertaining to your particular make and model.

WARNING!



When rotating parts are in motion, serious injury may occur if caution is not used or danger is not recognized. Never allow bystanders within **300 feet** of the machine when mower is in operation.

Start the tractor and allow the instruments to stabilize. Without moving, practice positioning the Claw. Remember, speed and skill will be attained easier if the necessary time is spent familiarizing yourself with the machine and its operations. When you feel comfortable at controlling the position of the head, lift the head to the travel position, and transport to the desired location.

For the first time with a Tiger Claw, we recommend choosing a ditch or area relatively flat with a minimum of sign posts, guard rails, etc. As always, you should inspect the area for other objects that can cause potential hazards and remove them.

Once at the location, using the tractor remote control to tilt the head to the desired grade angle. With the head angle set, using the 3-point control slowly lower the head until the head is resting upon the ground. Now carefully adjust the 3-point control lever to the desired cutting depth. Slowly move forward, determining the cutting depth is correct and blade is work properly. When properly adjusted, the front or inboard disk should just tickle the ground. The recommended tractor speed should range between 8 - 12 mph depending on surface conditions and desired results. At slower speeds the head will dig in and push more, where as increasing the speed will cause the head to rise up and plane across the surface being conditioned. Remember that several shallow cuts will be easier to obtain and produce a better grade than one deep cut. Usually the first cut is damp and should be left to dry prior to the second cut. If the disks plug up from wet material, stop work until ground is sufficiently dry.

FLOAT ADJUSTMENT

The blade is equipped with a float adjustment arm at the top of the A - Frame. This adjustment arm can be adjusted to let the blade float slightly as the contour of the grade slopes downward. Remove the pin located under the A - Frame / cylinder clevis and move the pin to the front hole in the A - Frame. **Always reset the float adjustment to its original position prior to transporting.** Refer to transporting in the operation section.

OPERATION

TRANSPORTING CLAW

Transporting under the units own power:

When transporting between job sites or between cutting passes, the following procedure should be followed: With the blade on the ground at rest, **move the float adjustment pin to the back hole in the A - Fame** (to prevent blade bounce). Raise the blade to it's highest position. Then tilt the blade upward until it is in the fully raised position. Articulating models have a slider , pull the locking pin upward and swing the gang inward until pin drops into slider (Lift and rotate the slider locking pin will hold the pin upward, this position is **not recommended for operation or transport, serious damage or injury may occur**). Check to be sure blade has ample clearance from the ground. The unit is now in position for self transportation.

CAUTION!



CAUTION: When transporting this blade on the road or highway, use the tractor warning lights, SMV sign, Reflectors and other devices for adequate warning to the operators of other vehicles. Check local government regulations.

CAUTION!



Do not transport at high speed at any time, especially when traveling over fields or rough roads. The bounce of the blade on the tractor could cause damage to the tractor, blade and or even bodily injury.

DANGER!



This Implement is wider than the Tractor. Be careful when operating or transporting this equipment to prevent the implement from running into or striking sign posts, guard rails, concrete abutments or other solid objects. Such an impact could cause the implement and tractor to pivot violently resulting in loss of steering control, serious injury, or even death. Never allow the implement to contact obstacles.

Transporting unit by flatbed trailer:

Park flatbed on level area. Drive tractor onto center of flatbed to avoid uneven distribution of weight and staying within local width restrictions. Set the park brake and place the tractor shift lever into park. Then tilt and lower the blade to a level position on the flatbed, shut off the tractor. The tractor and the blade should now be chained down securely to the trailer bed.

CAUTION!



CAUTION: If trailer is not level, the tractor and blade could become unstable causing the unit to over turn.

CAUTION!



If any part of this operating section, or any other section of this manual is not completely understood, contact your Tiger dealer or the address on the cover of this manual for assistance

MAINTENANCE SECTION

MAINTENANCE

Tiger Blades are designed for high performance and rugged durability, yet with simplified maintenance. The purpose of this section of the manual is to help the operator in the regular servicing of the mower. Regular maintenance at the intervals mentioned will result in the maximum efficiency and long life of the Tiger Blade.

When you purchase a Tiger Blade you also acquire another valuable asset, Tiger's parts organization. Our rapid and efficient service has guaranteed the customer satisfaction for many years. Tiger parts keep up with the demands for efficiency, safety and endurance expected of the Tiger Blade.

MAINTENANCE PRECAUTIONS

- Be sure end of grease gun and zerks are clean before using. Debris injected into bearings, etc. with grease will cause immediate damage.
- DO NOT use a power grease gun to lubricate bearings. These require very small and exact amounts of lubrication. Refer to the detailed maintenance section for specific lubrication instructions. Do Not over-grease bearings.
- Take the required action to correct any problems immediately.
- Release of energy from pressurized systems may cause inadvertent actuation of cylinders, or sudden release of compressed springs. Before disconnecting any hoses relieve pressure by shutting tractor off, setting cutter on ground and actuating lift valve handles.

WARNING!



DO NOT use hands to check for suspected leaks in hydraulic hoses! Hydraulic fluid escaping under pressure can have sufficient force to penetrate skin and cause serious injury. If fluid is injected into skin, it must be surgically removed within a few hours or gangrene may result. Use a small piece of wood or cardboard, not hands, to search for pin hose leaks. Be sure all pressure is relieved whenever disconnecting lines. Be sure all connections are tight and hoses and lines are not damaged before applying pressure.

BREAK IN PERIOD

In addition to following the break in instructions for your particular tractor, re-torque bolts and nuts after first five hours of operation and periodically thereafter. See torque specification chart in this section for your particular application.

WARNING!



Do not modify or alter this Implement. Do not permit anyone to modify or alter this Implement, any of its components or any Implement function. (SG-8)

DANGER!



Never work under the Implement, the framework, or any lifted component unless the Implement is securely supported or blocked up to prevent sudden or inadvertent falling which could cause serious injury or even death. (SG-14)



MAINTENANCE

WARNING!



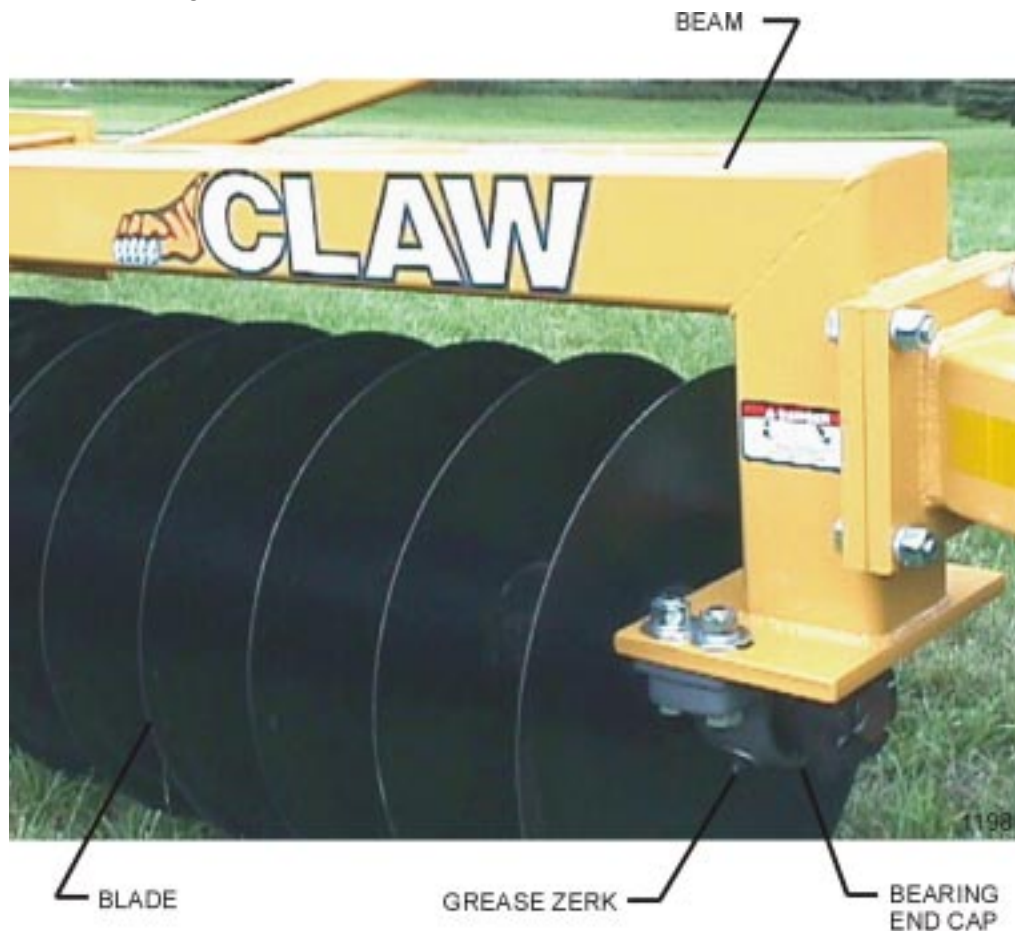
Relieve hydraulic pressure prior to doing any maintenance or repair work on the Implement. Place the Head on the ground or securely supported on blocks or stands, disengage the PTO, and turn off the engine. Push and pull the control Levers or Joystick several times to relieve pressure prior to starting any maintenance or repair work.

DISK REPLACEMENT

Under normal use the disk blades will wear. Recommended replacement of the disk blade is when measured below 19 1/2" in diameter. For assembly information refer to the parts section pages.

GREASING SPINDLE BEARING FLANGE

Locate grease zerks on both ends of disk shaft, these are located on the bearing cover of the bearing. Normal conditions require one or two pump in each bearing, using grease conforming to NLGI No.2 penetration (heavy multi-purpose grease). This is to be done with a standard grease gun daily or at **8 hour intervals**. **CAUTION: Over greasing may cause premature seal failure.** Regular lubrication will ensure maximum bearing life.



MAINTENANCE

REGULAR MAINTENANCE

The intervals at which regular servicing should be done are based on hours of operation. Use the tractors hour meter to determine when regular servicing is required.



This symbol indicates a point that needs to be greased at an interval noted in the section below. Refer to the Detailed Maintenance section for further instructions on greasing. Copy and use the Daily Maintenance sheet located at the end of this section.

DAILY OR EVERY 8 HOURS

ITEM	SERVICE	COMMENTS
Pivot Points	Lubricate	Inject grease until it appears at ends
Hydraulic Fittings	Check for leaks	Tighten when needed. Do Not use hands to check for leaks, see maint. precautions
Blades	Check	Inspect for missing or damaged blades, change as needed
Disk Shaft	Check	Retorque to 400 ft./lbs
Bearing Bolts	Check	Retorque according to specifications
A - Frame Bolts	Check	Retorque according to specifications
Hydraulic Fluid Level	Check	Add if required per fluid recommendations
Spindle Bearing Flange	Lubricate	Grease as instructed in detailed maint. section

TROUBLE SHOOTING

SYMPTOMS	CAUSE	REMEDY
Vibration	1. Loose bolts	1. Check all bolts and tighten to recommended torque specs.
	2. Cutter assembly Unbalanced	2a. Check for damaged blades, disc. or cutter shaft. Replace if needed. 2b. Check for wire, rope, etc. entangled in cutter assembly
Blade will not lift	1. Hyd. Fluid low	1. Check and refill Hyd Fluid
	2. Leaks in line	2. Tighten or replace fittings and hoses
	3. Faulty relief valve	3. Check pressure in line.
	4. Kinked or blocked	4. Clean or replace line.
	5. Faulty cylinder	5. Inspect, repair or replace cylinder

If the solution to your problem cannot be found in this section, call the Technical Service representative at the number shown on the front cover of this manual.

MAINTENANCE

TORQUE SPECIFICATIONS



Thread Size:	SAE GRADE 5		SAE GRADE 8		SAE GRADE 8 Distorted Center Lock Nuts	
	Assembly Torque - Ft-Lbs		Assembly Torque - Ft-Lbs		Assembly Torque - Ft-Lbs	
	Dry Plated	Lubricated	Dry Plated	Lubricated	Dry Plated	Lubricated
1/4 - 20	6	6	9	8	12	11
1/4 - 28	7	6	10	9	13	12
5/16 - 18	13	12	19	17	24	22
5/16 - 24	14	13	21	19	26	24
3/8 - 16	23	21	34	30	41	37
3/8 - 24	26	23	38	34	45	41
7/16 - 14	37	33	54	49	62	57
7/16 - 20	41	37	60	54	68	62
1/2 - 13	56	50	84	76	97	89
1/2 - 20	63	57	92	83	105	96
9/16 - 12	79	71	121	108	140	127
9/16 - 18	91	81	135	121	154	140
5/8 - 11	112	101	167	150	193	176
5/8 - 18	127	114	204	184	230	210
3/4 - 10	198	178	296	266	330	300
3/4 - 16	221	199	331	298	365	332
1 - 8	484	436	718	646	786	714
1 - 12	525	472	782	704	850	772



Thread Size:	CLASS 8.8 METRIC		CLASS 10.9 METRIC	
	Assembly Torque - Ft-Lbs		Assembly Torque - Ft-Lbs	
	Dry	Lubricated	Dry	Lubricated
6 X 1	8	6	11	8
8 X 1.25	19	14	27	20
10 X 1.5	38	29	53	40
12 X 1.75	66	50	93	70
14 X 2	104	78	148	111
16 X 2	167	125	230	173
20 X 2.5	325	244	448	336

1015 TORQUE SPECIFICATION

* These are intended to be general specifications. See tractor operators or service manual for exact specifications for your unit.

MAINTENANCE

CLAW PARTS

PARTS SECTION

PARTS ORDERING GUIDE

The following instructions are offered to help eliminate needless delay and error in processing purchase orders for the equipment in this manual.

1. The Parts Section is prepared in logical sequence and grouping of parts that belong to the basic machine featured in this manual. Part Numbers and Descriptions are given to help locate the parts and quantities required.

2. The Purchase Order must indicate the **Name and Address** of the person or organization ordering the parts, **who should be charged**, and if possible, the **serial number of the machine** for which the parts are being ordered.

3. The purchase order must clearly list the **quantity of each part**, the complete and correct **part number**, and the basic **name of the part**.

4. The manufacturer reserves the right to substitute parts where applicable.

5. Some parts may be unlisted items which are special production items not normally stocked and are subject to special handling. Request a quotation for such parts before sending a purchase order.

6. The manufacturer reserves the right to change prices without prior notice.

NOTE: When ordering replacement decals, refer to the part numbers and descriptions listed in the safety section in the front of this manual.



1000

For maximum safety and to guarantee optimum product reliability, always use genuine **Tiger** replacement parts. The use of inferior replacement parts may cause premature or catastrophic failure which could result in serious injury or death.

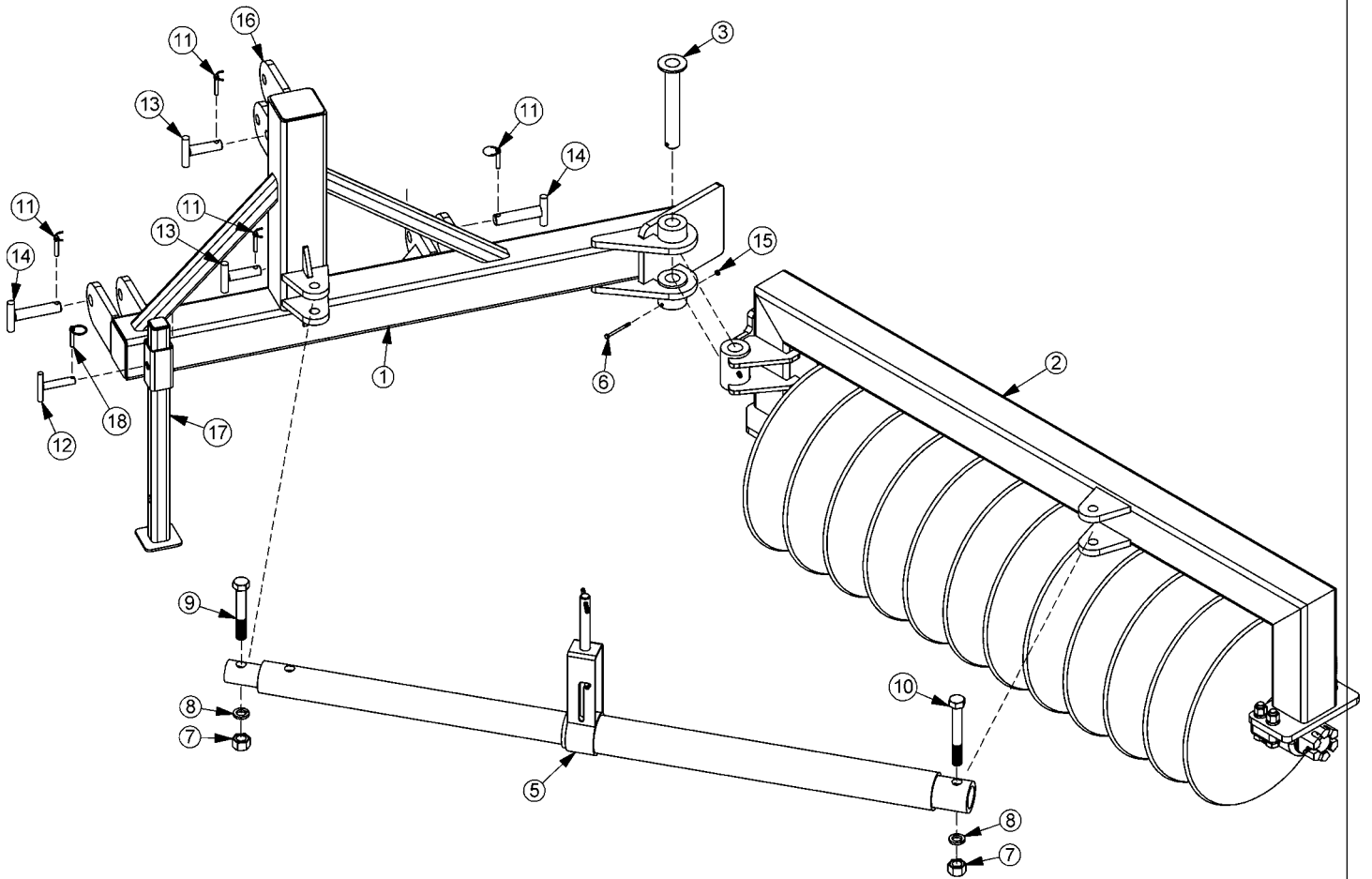
Direct any questions regarding parts to:

Tiger Corporation
3301 N. Louise Ave.
Sioux Falls, SD 57107
1-800-843-6849
1-605-336-7900

PARTS SECTION TABLE OF CONTENTS

SECTION SPECIFIC PARTS:	ASSEMBLY	PAGE
ARTICULATING CLAW ASY REPLT PARTS	06100846	5-4
ARTICULATING CLAW SLIDE REPLT PARTS	36000	5-5
ARTICULATING CLAW GANG REPLT PARTS	06100846	5-6
HYDRAULIC CYLINDER	6T0151B	5-8

ARTICULATING CLAW ASY REPLACEMENT PARTS

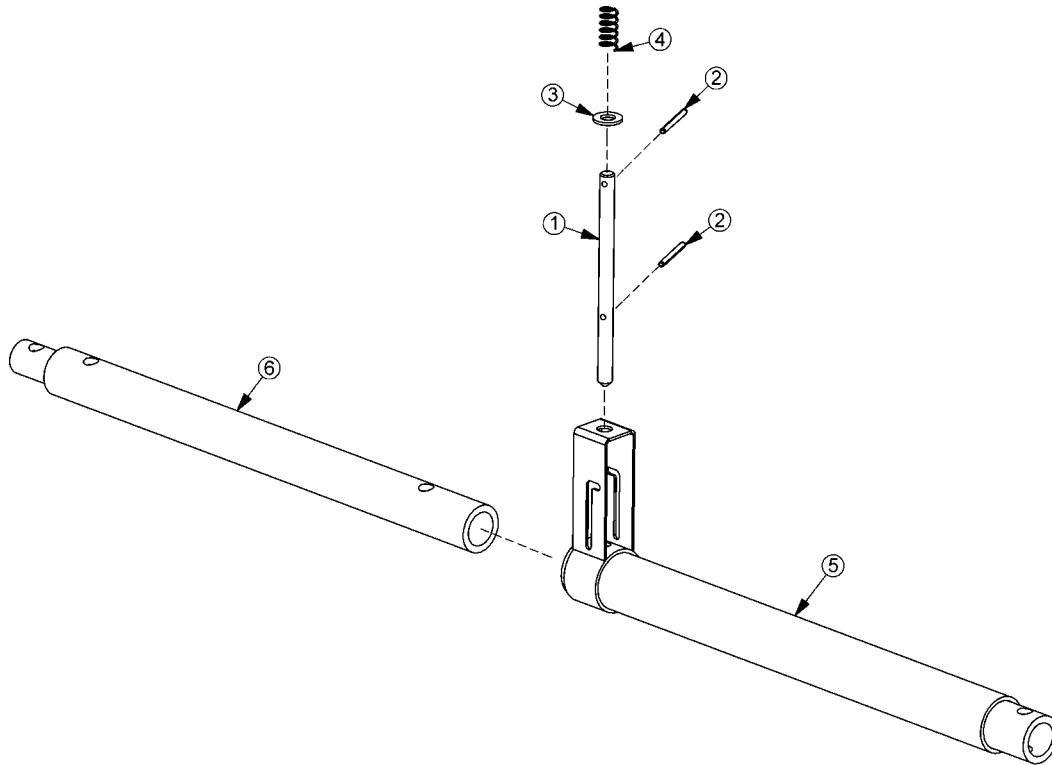


06100846 CLAW ASY

06100846 CLAW ASY

ITEM	P/N	QTY	DESCRIPTION
1	34736	1	HITCH WLDMNT
2	34739	1	GANGASY
3	34729	1	PIN WLDMNT, 1-1/2OD X 10-1/2
4	34730	1	DRILLED WLDMNT
5	36000	1	SLIDERASY
6	21539	1	CAP SCREW, 1/4 X 3-1/4 NC
7	21925	2	HEX NUT,1" NC
8	21995	2	LOCKWASHER, 1
9	34761	1	CAPSCREW, 1 X 6.5 NC,GR8
10	34762	1	CAPSCREW, 1 X 7.5, NC GR8
11	TF1143	4	PIN,LYNCH 7/16" X 2"
12	34500	1	PINTEE, 3/4 OD
13	34502	2	PIN TEE, 1OD
14	34501	2	PIN TEE, 1-1/8OD
15	21525	1	HEX NUT, 1/4" NC
16	42958	1	PLATE, 3-POINT, CLAW
17	34503	1	STAND 3-POINT CLAW
18	RD1032	1	PIN LYNCH 1/4" X 2"

ARTICULATING CLAW ASY REPLACEMENT PARTS

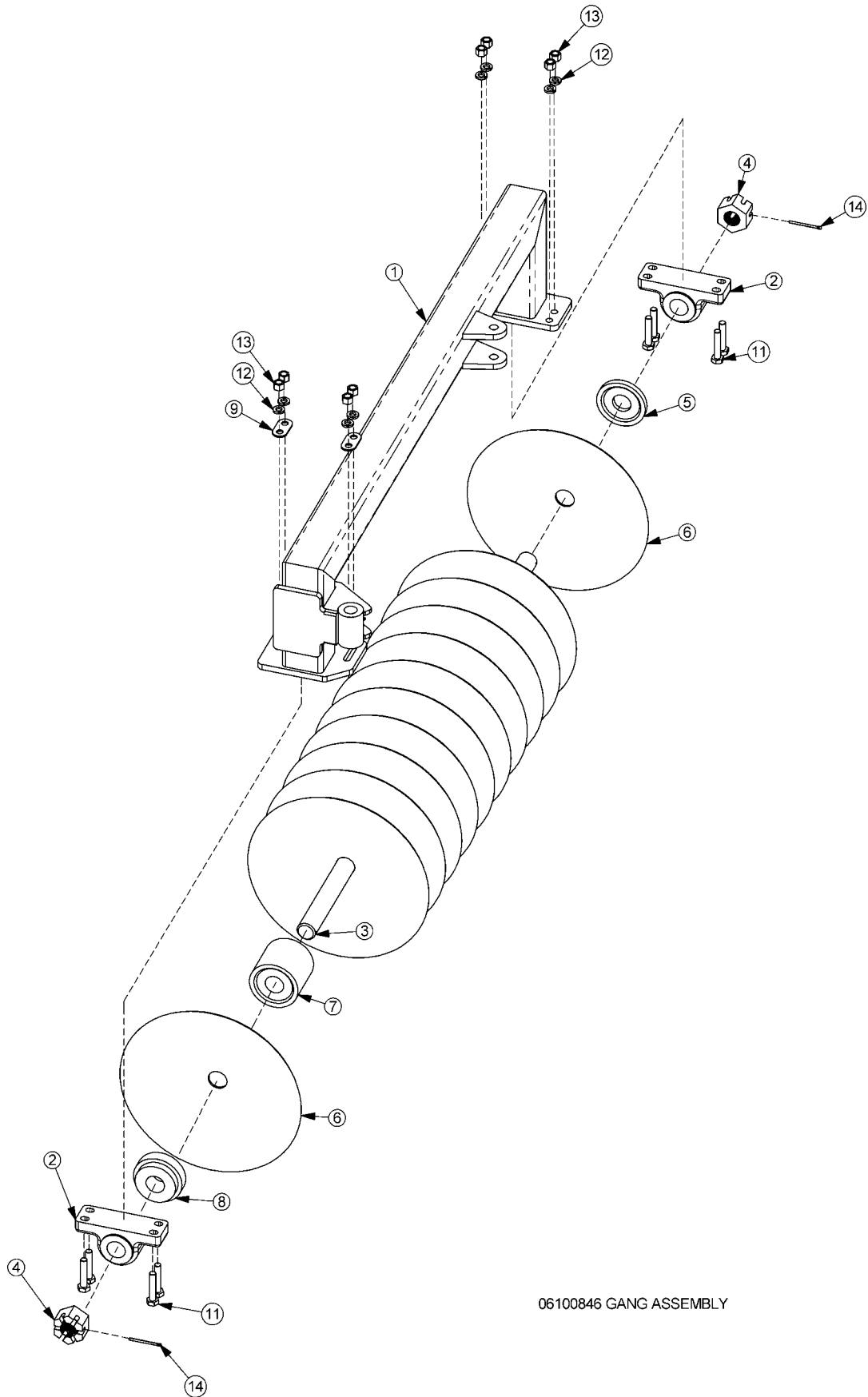


36000 SLIDER ASY

36000 SLIDER ASY

ITEM	P/N	QTY	DESCRIPTION
1	42976	1	LOCKING ROD, SLIDER, CLAW
2	34725	2	ROLL PIN, 3/8 X 4
3	22023	1	FLATWASHER, 1"
4	34742	1	SPRING
5	34734	1	SLIDER WLDMNT
*	34735	AVAIL	SLIDER ASY (INCLUDES ITEMS 1, 2, 3, 4, 5)
6	34730	1	DRILLED WLDMNT

ARTICULATING CLAW GANG REPLACEMENT PARTS



06100846 GANG ASSEMBLY

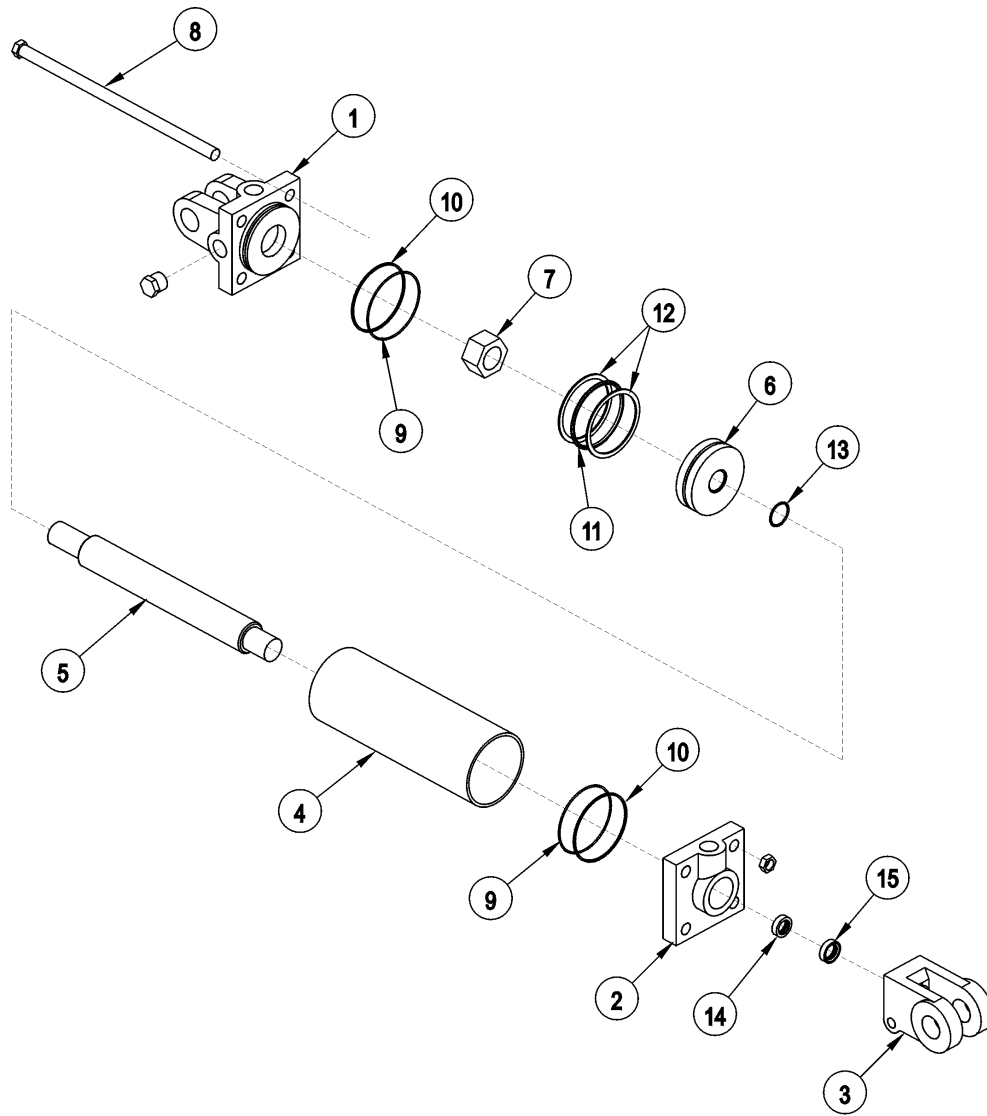
ARTICULATING CLAW GANG REPLACEMENT PARTS

ITEM	P/N	QTY	DESCRIPTION
1	34737	1	GANG WLDMNT
2	34284	2	BEARING
3	42946	1	SHAFT, THREADED
4	34285	2	NUT
5	42947	1	SPACER, REAR
6	B45-2247F	12	DISC
7	42948	11	SPACER, MIDDLE
8	42950	1	SPACER, FRONT
9	42949	2	PLATE
10	6t3209	1	GREASE ZERK, 1/4 DRIVE
11	21838	8	CAPSCREW, 3/4 x 3 1/2, NC
12	21993	8	LOCKWASHER, 3/4", GR 8
13	21825	8	HEX NUT, 3/4, NC
14	34507	2	COTTER PIN, 3/16" x 3-1/2"

NOTES:

1. ENSURE CONTOURED SPACERS ARE INSTALLED PROPERLY, SPACER CONTOUR ARE TO MATCH DISK BLADE CONTOURS.
2. ENSURE FRONTAND REAR SPACERS ARE REPLACED IN THE PROPER POSITION
3. TORQUE THE DISK SHAFT ASSEMBLY BACK TOGETHER TO A SETTING OF 400 FT./LBS.
4. **DISK SHAFT ASSEMBLY MUST BE TORQUED BACK TOGETHER PROPERLY BEFORE REINSTALLING ONTO THE FRAME TO PREVENT PRE-LOADING THE BEARING ASSEMBLIES.**

HYDRAULIC CYLINDER - 6T0151B



3" X 10" CYLINDER # 6T0151B

Tb1015

ITEM	PART NO.	QTY.	DESCRIPTION
1	6T0167	1	CYLINDER BUTT
2	6T0170	1	CYLINDER GLAND
3	6T0178	1	CLEVIS END
4	6T0164	1	CYLINDER TUBE
5	6T0161	1	PISTON ROD
6	6T0173	1	PISTON
7	6T0179	1	LOCKNUT
8	6T0176	4	TIE ROD ASY
	6T0187	AVAIL	SEAL KIT
9		2	O - RING
10		2	BACK - UP WASHER
11		1	O - RING
12		2	BACK - UP WASHER
13		1	O - RING
14		1	U - CUP
15		1	WIPER

WARRANTY SECTION

WARRANTY INFORMATION

Tiger Corporation, 3301 N. Louise, Sioux Falls, South Dakota, warrants to the original Retail Customer, the new Tiger equipment is free of defects in material and workmanship. Any part of equipment that in Tiger's judgement, show evidence of such defects will be repaired or replaced without charge, provided that the failure of part(s) shall have occurred within twelve (12) months from the date of delivery of said equipment to the Retail Customer. Expendable components such as knives, oil, chain sprockets, skid shoes, knife mounting disks and the like are excluded but not limited to this warranty.

The Retail Customer must pay the transportation cost to and from the Tiger Dealer's service shop for warranty service. Warranty service will be performed by the Tiger Dealer from whom the equipment was purchased, during service shop regularly scheduled days and hours of operation.

All Tiger obligation under this warranty shall be terminated if the equipment is modified or altered in ways not approved in writing by Tiger, if repair parts other than genuine Tiger repair parts have been used, or if the equipment has been subject to misuse, neglect, accident, improper maintenance or improper operation.

Tiger Corporation reserves the right to make improvements in design or changes in specification at any time without incurring any obligation to owners of equipment previously sold.

No agent or person has authority to alter, add to or waive the above warranties which are agreed to be in the only warranties, representations or promises, expressed or implied, as to the quality or performance of the products covered and which do not include any implied warranty of merchantability or fitness. In no event will Tiger be liable for incidental or consequential damages or injuries, including, but not limited to, loss of profits, rental or substitute equipment or other commercial loss.

**THERE ARE NO WARRANTIES WHICH EXTEND
BEYOND THOSE EXPRESSED HEREIN.**

It is the Purchasers obligation to sign the warranty registration form **AFTER** he / she has Read and Understands the Operation and Safety Instructions stated within this manual.

ONE LAST WORD

This manual cannot possibly cover all of the potentially hazardous situations you will encounter. By being familiar with the safety rules, operating and maintenance instructions in this manual you can help prevent accidents. The objective of this manual is to help make you a better operator. Remember, **SAFETY IS YOU!**



1012

Your safety and the safety of those around you depends on **YOU**. Common sense should play a large role in the operation of this machine.

Since we at Tiger Corporation are constantly striving to improve our products, we reserve the right to change specifications or design at any time.

TO THE OWNER / OPERATOR / DEALER



To keep your implement running efficiently and safely, read your manual thoroughly and follow these directions and the Safety Messages in this manual and on the machine. The table of contents clearly identifies each section where you can easily find the information you need.

The Occupational Safety and Health Act (OSHA 1928.51 subpart C) makes the following minimum requirements for tractor operators.

OWNER REQUIREMENTS:

1. Provide a Roll-Over-Protective Structure that meets the requirements of this Standard; and
2. Provide Seatbelts that meet the requirements of this Standard and SAE J3C; and
3. Ensure that each employee uses such Seatbelt while the tractor is moving; and
4. Ensure that each employee tightens the Seatbelt sufficiently to confine the employee to the protected area provided by the ROPS.

OPERATOR REQUIREMENTS:

1. Securely fasten seatbelt if the tractor has a ROPS.
2. Where possible, avoid operating the tractor near steep ditches, embankments, and holes.
3. Reduce speed when turning, crossing slopes, and on rough, slick, or muddy surfaces.
4. Stay off slopes too steep for safe operation.
5. Watch where you are going – especially at row ends, on roads, and around trees.
6. Do Not permit others to ride.
7. Operate the tractor smoothly – no jerky turns, starts, or stops.
8. Hitch only to the draw-bar and hitch points recommended by the tractor manufacturer.
9. When the tractor is stopped, set brakes securely and use park lock, if available



Printed in USA
© Tiger Corporation