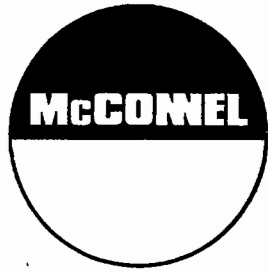


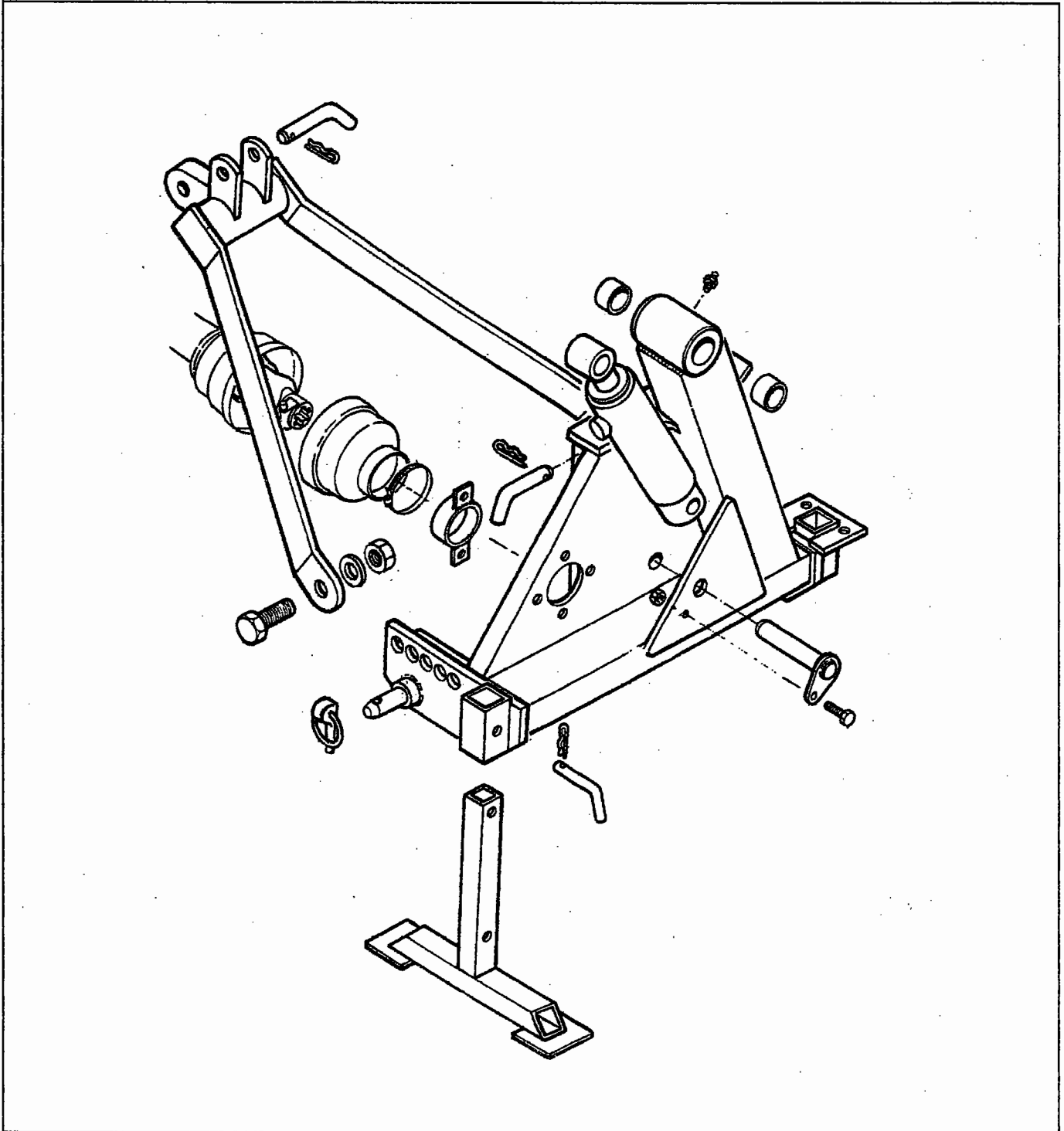
August 2001  
Part No. 41570.11

# PA 32

HEDGE/GRASS TRIMMER



## Parts Manual





***For best performance...***

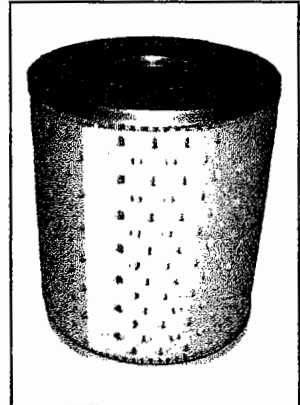
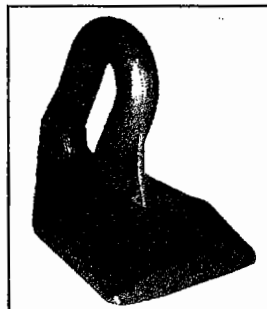
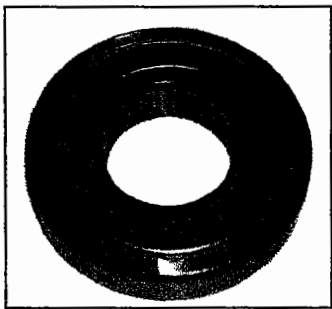
**USE ONLY McCONNEL SERVICE PARTS**

*To be assured of the latest design improvements purchase your 'Genuine Replacements' from the Original Equipment Manufacturer: McCONNEL LIMITED through your local Dealer or Stockist.*

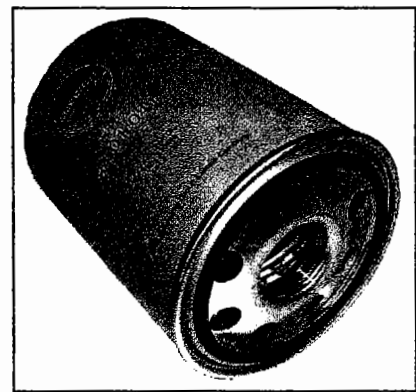
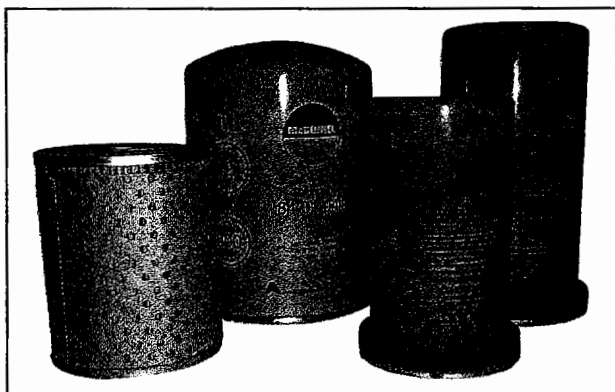
**Always quote:**

- Machine Type
- Serial Number
- Part Number

*Design Improvements may have altered some of the parts listed in this manual – The latest part will always be supplied when it is interchangeable with an earlier one.*



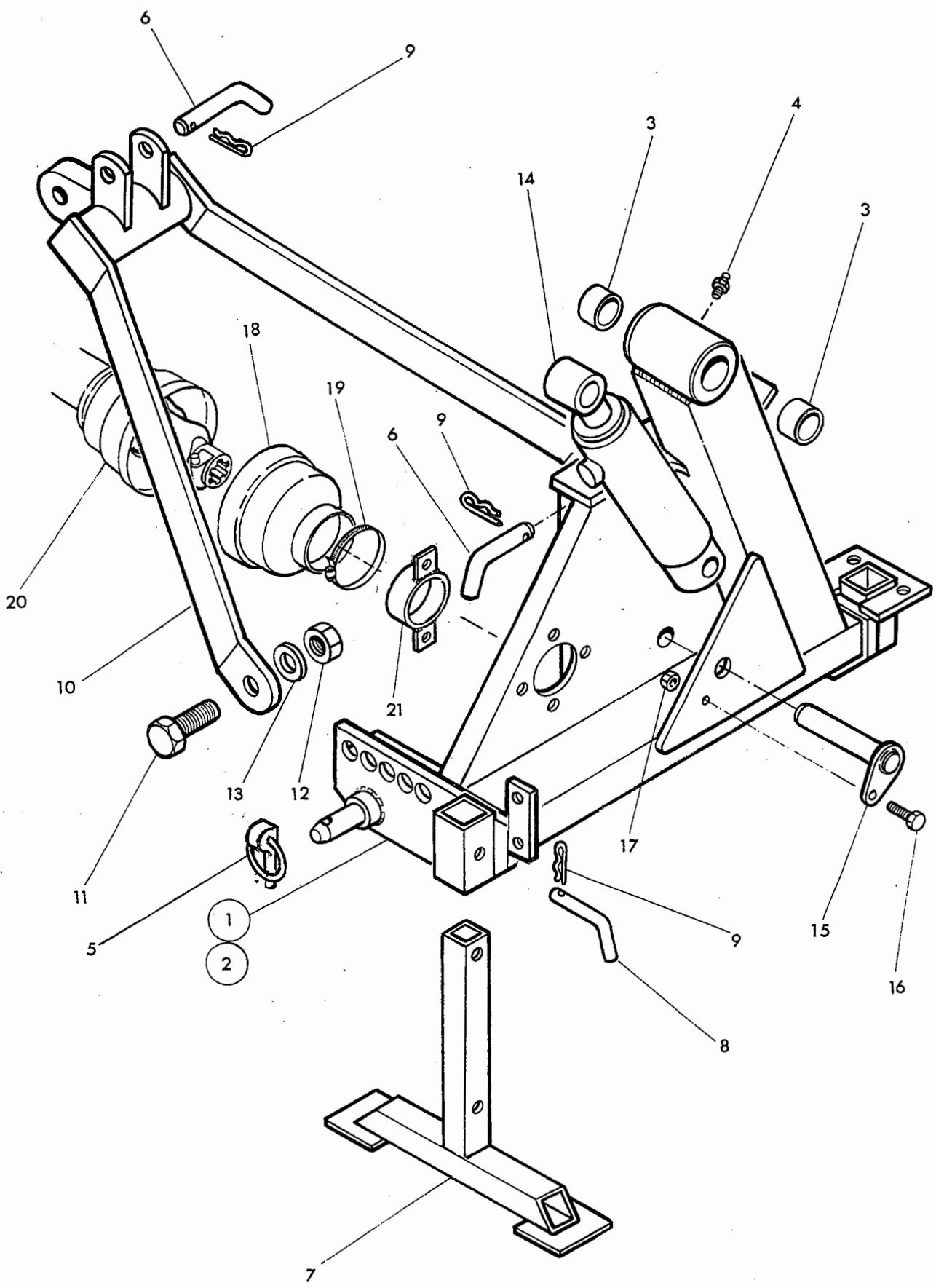
***Genuine Parts ~ Quality Service***



# LIST OF CONTENTS

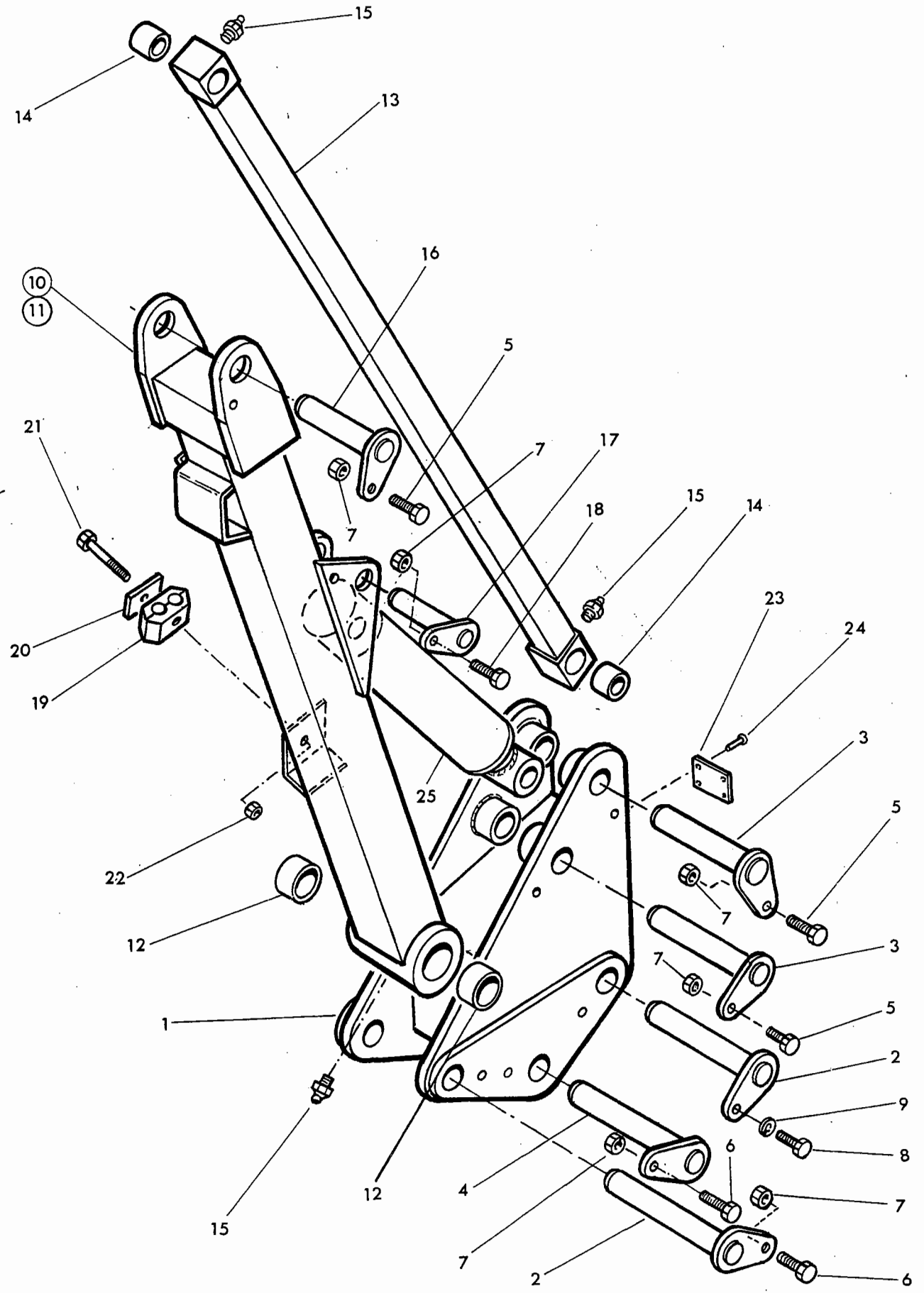
Component	Page No.
Main Frame	1
Main Arm & Rocker	3
Standard Dipper Arm	5
Control Mounting Assembly	7
Cab Guard Kit	8
Flail Head Casing	9
Rotors, Flails & Roller	11
Cutterbar Drive	13
Cutterbar Assemblies	15
Hose Installation – <i>Si machines</i>	17
Hose Installation – <i>Ti machines</i>	19
Control Valve	21
Control Valve – <i>Ti Electric models</i>	23
Rotor Control valve – <i>Ti models only</i>	25
Control Unit & Cables – <i>Cable models</i>	27
Monolever Controls – <i>Electric models</i>	29
Pump & Gearbox Assembly – <i>Si models</i>	31
Pump & Gearbox Assembly – <i>Ti models</i>	33
Gearbox	35
Hydraulic Tank Assembly	37
Lift Float Kit – <i>Optional Extra</i>	39
Lift Ram	41
Reach Ram	42
Breakaway Ram	43
Angling Ram	44
Machine Covers	45
Machine Decals	47







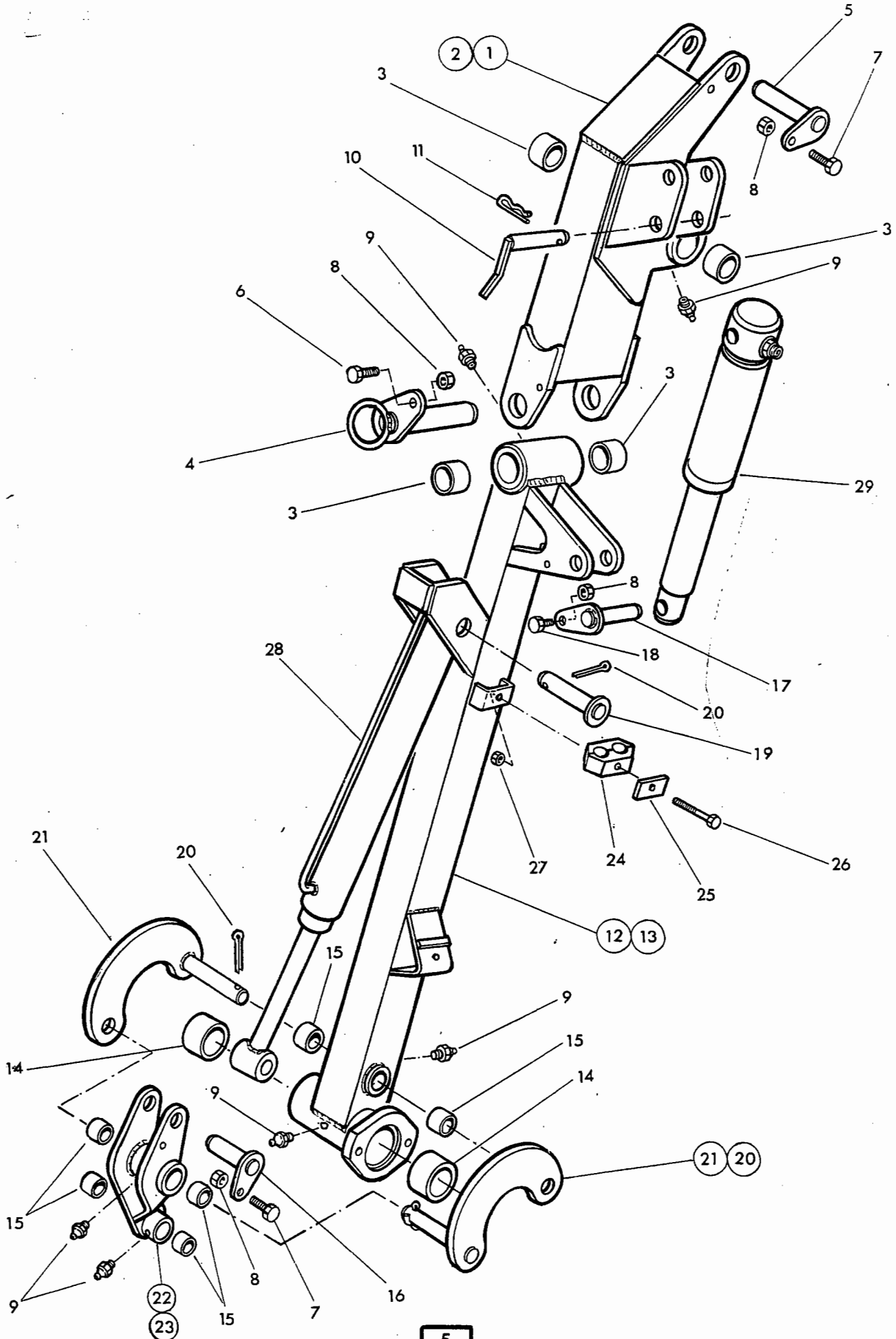
Ref. Part No.	Qty	Description
<b>MAIN FRAME AND STABILISER</b>		
1	41197.01	1 Main frame L.Hand
2	41197.02	1 Main frame R.Hand - not illus.
3	71 01 134	2 Bush
4	09 01 121	1 Greaser
5	04 31 217	1 Linch pin
6	71 92 026	2 Top link pin
7	41203.01	2 Stand leg
8	10 90 051	2 Leg pin
9	04 31 105	4 Spring cotter
10	41205.01	1 Stabiliser
11	91 13 118	2 Setscrew
12	91 13 008	2 Self locking nut
13	91 00 208	2 Spring washer
14	41014.03	1 Lift ram assy.
15	41267.01	1 Pivot pin - lift ram base
16	93 13 065	1 Setscrew
17	91 43 005	1 Self locking nut
18	71.11.038	1 Shaft guard
19	09 04 114	1 Hose clip
20	71 14 289	1 P.T.O. shaft
21	71 91 075	1 Guard mounting collar





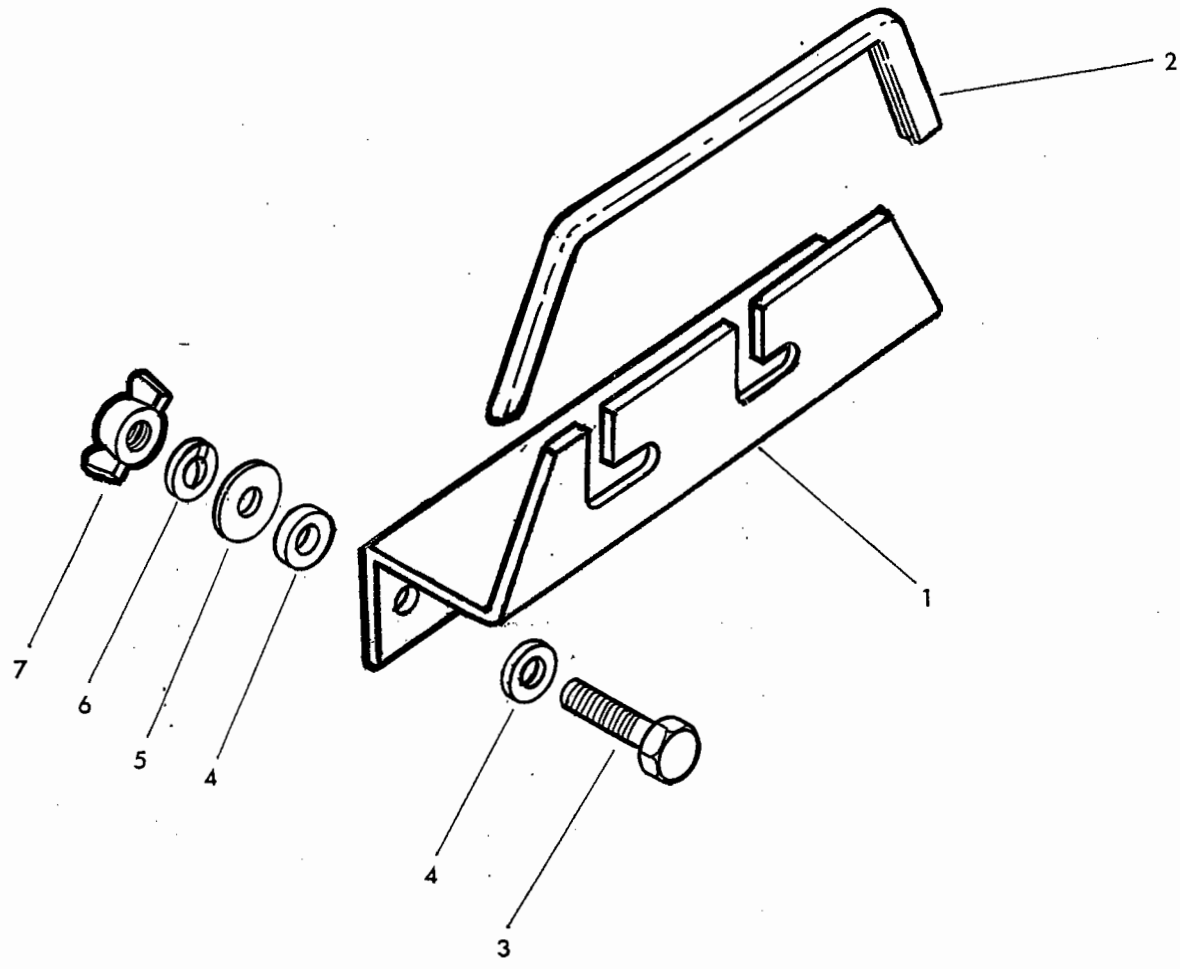


Ref.	Part No.	Qty	Description
<b>MAIN ARM AND ROCKER</b>			
1	41198.01	1	Rocker
2	41268.01	1	Pin-rocker and main arm
3	41267.02	1	Pin-link and reach ram rod
4	41267.01	1	Pin - lift ram rod
5	93 13 055	3	Setscrew
6	93 13 065	2	Setscrew
7	91 43 005	6	Self locking nut
8	91 13 045	1	Setscrew
9	91 00 205	1	Spring washer
10	41199.01	1	Main arm L.Hand
11	41199.02	1	Main arm R.Hand - not illus.
12	71 01 134	2	Bush
13	41200.01	1	Tension link
14	71 05 050	2	Bush
15	09 01 121	3	Greaser
16	41268.01	1	Pivot pin - dipper
17	41267.04	1	Pivot pin - reach ram base
18	93 13 075	1	Setscrew
19	06.430.09	2	Hose clamp
20	06.418.03	2	Clamp plate
21	92 13 134	2	Bolt
22	91 43 004	2	Self locking nut
23	13 35 246	1	Serial No.Plate
24	71 03 230	4	Pop rivet
25	41015.03	1	Reach ram assembly

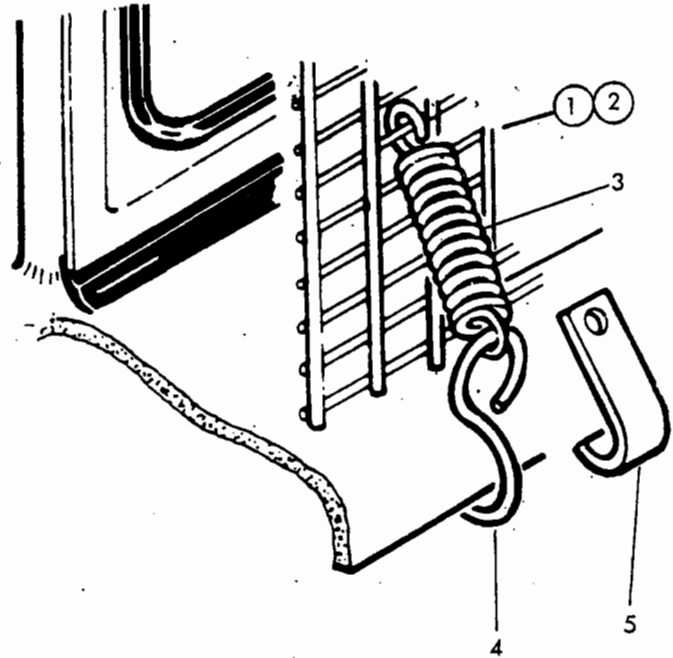
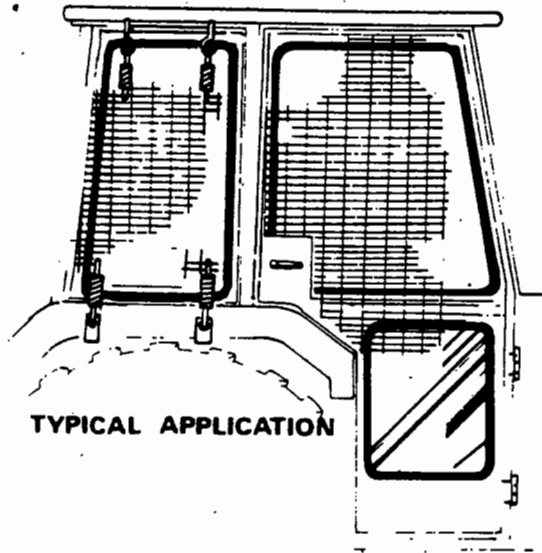




Ref. Part No.	Qty	Description
<b>DIPPER ARM AND ANGLING</b>		
1	41201.01	1 Dipper upper - L.Hand
2	41201.02	1 Dipper upper - R.Hand - not illus.
3	71 01 134	4 Bush
4	41269.01	1 Pivot pin - dipper lower
5	41267.03	1 Pivot pin - tension link
6	93 13 075	1 Setscrew
7	93 13 055	2 Setscrew
8	91 43 005	4 Self locking nut
9	09 01 121	6 Greaser straight
10	71 91 036	1 Pivot pin - breakaway ram base
11	04 31 105	1 Spring cotter
12	41202.01	1 Dipper lower - L.Hand
13	41202.02	1 Dipper lower - R.Hand - not illus.
14	10 90 001	2 Bush
15	72 14 060	6 Bush
16	41270.01	1 Pivot pin - angle ram rod
17	71 91 037	1 Pivot pin - breakaway ram rod
18	93 13 065	1 Setscrew
19	71 91 041	1 Pivot pin angle ram base
20	95 01 406	3 Split pin
21	41206.01	2 Radius arm
22	41207.01	1 Slave link - L.Hand
23	41207.02	1 Slave link - R.Hand - not illus.
24	06.430.09	2 Hose clamp
25	06.418.03	2 Clamp plate
26	92 13 134	2 Bolt
27	91 43 004	2 Self locking nut
28	71 91 072	1 Angling ram assy
29	41322.02	1 Breakaway ram assy



Ref	Part No	Qty	Description
<b>CONTROL UNIT MOUNTING ASSY</b>			
1	03.583.01	1	Bracket
2	03.231.02	1	Rubber edge strip
3	93 13 094	2	Setscrew M8 x 45
4	03.152.01	4	Rubber washer
5	91 00 104	2	Plain washer dia 8
6	91 00 204	2	Spring washer dia 8
7	91 93 004		Wingnut M8

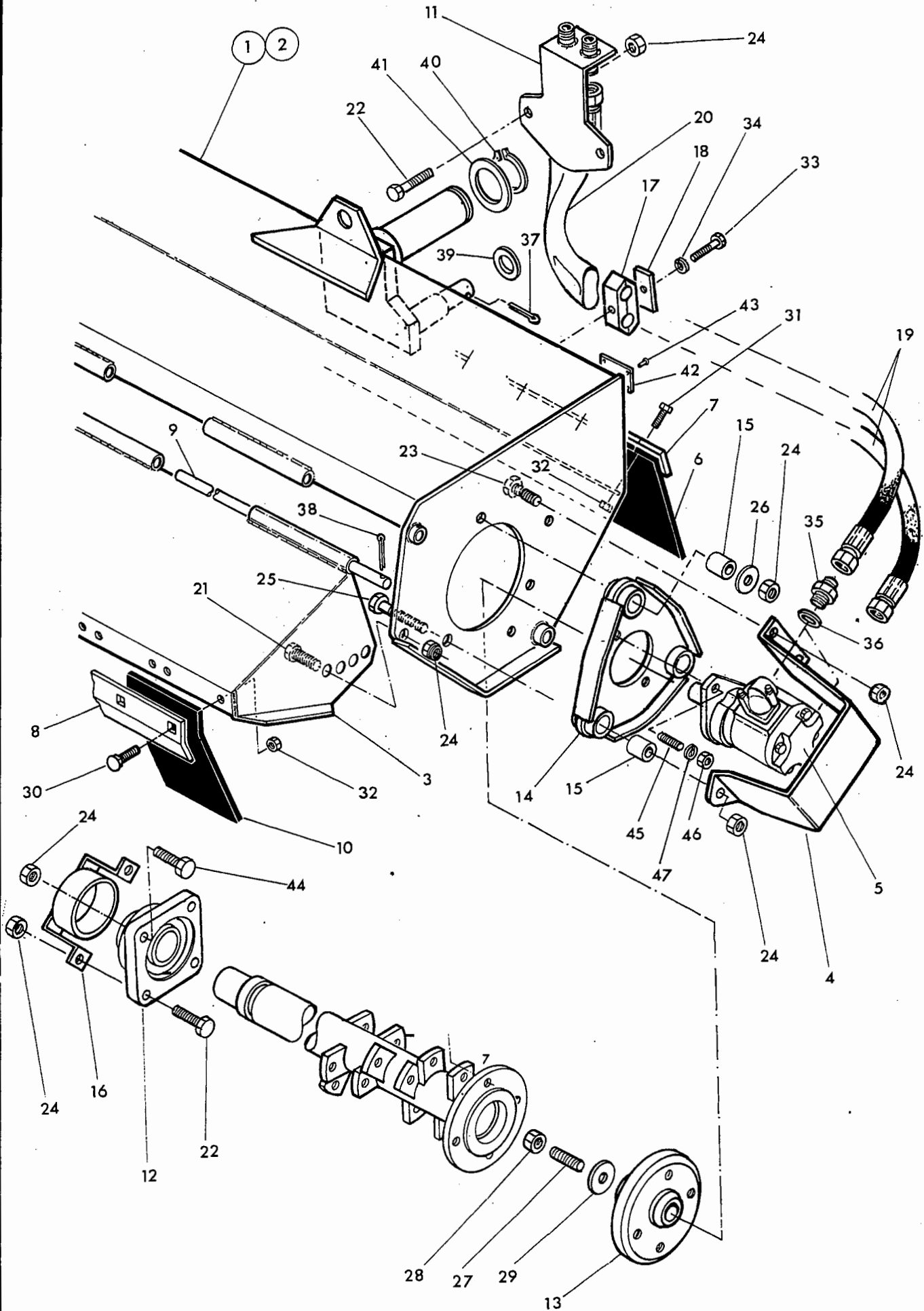


Ref. Part No.	Qty.	Description
<b>73-13-324</b>		<b>CAB GUARD KIT</b>
1 73-13-049	1	Guard panel - large
2 73-13-050	1	Guard panel - small
3 60-01-064	12	Spring
4 60-01-065	6	Hook
5 73-13-051	6	Hook

# FLAIL HEAD CASING



# MCCORMICK





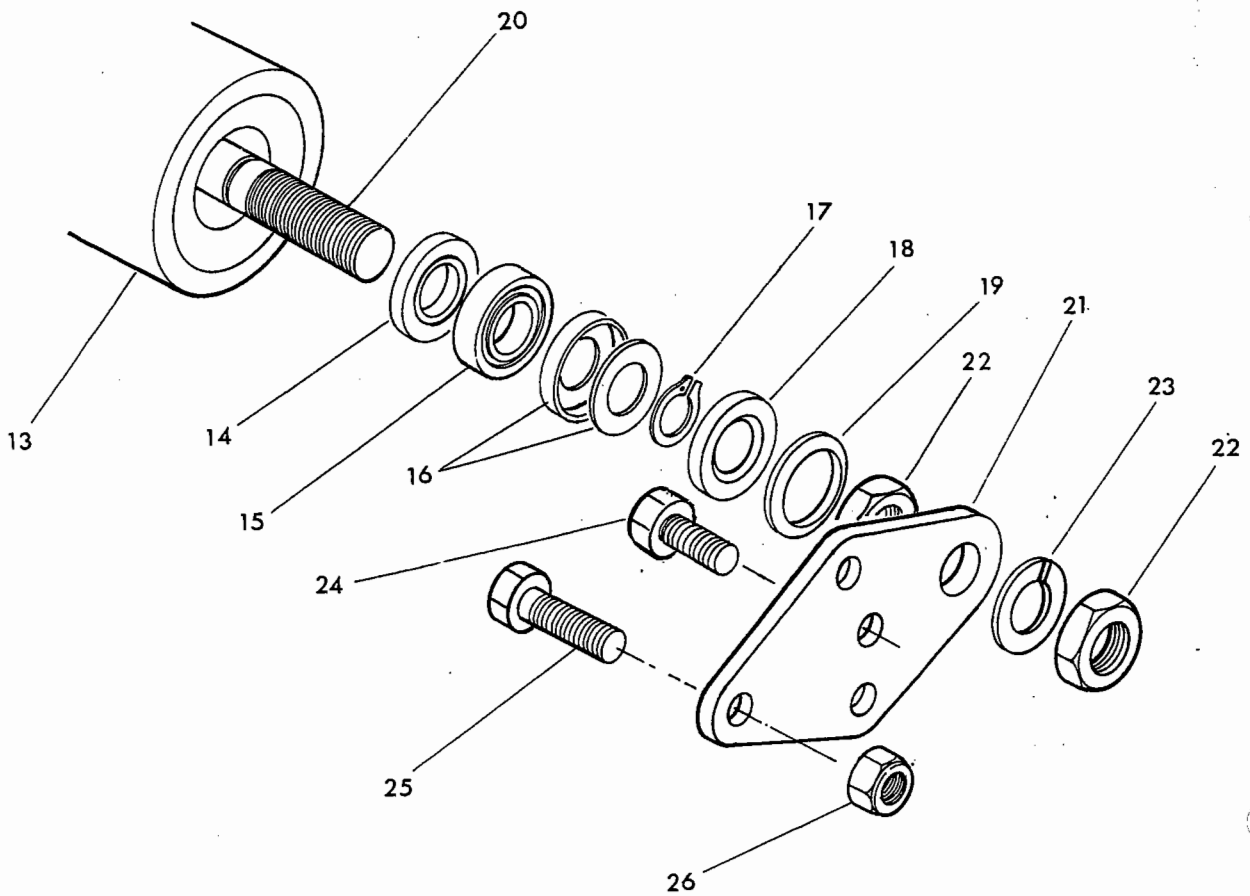
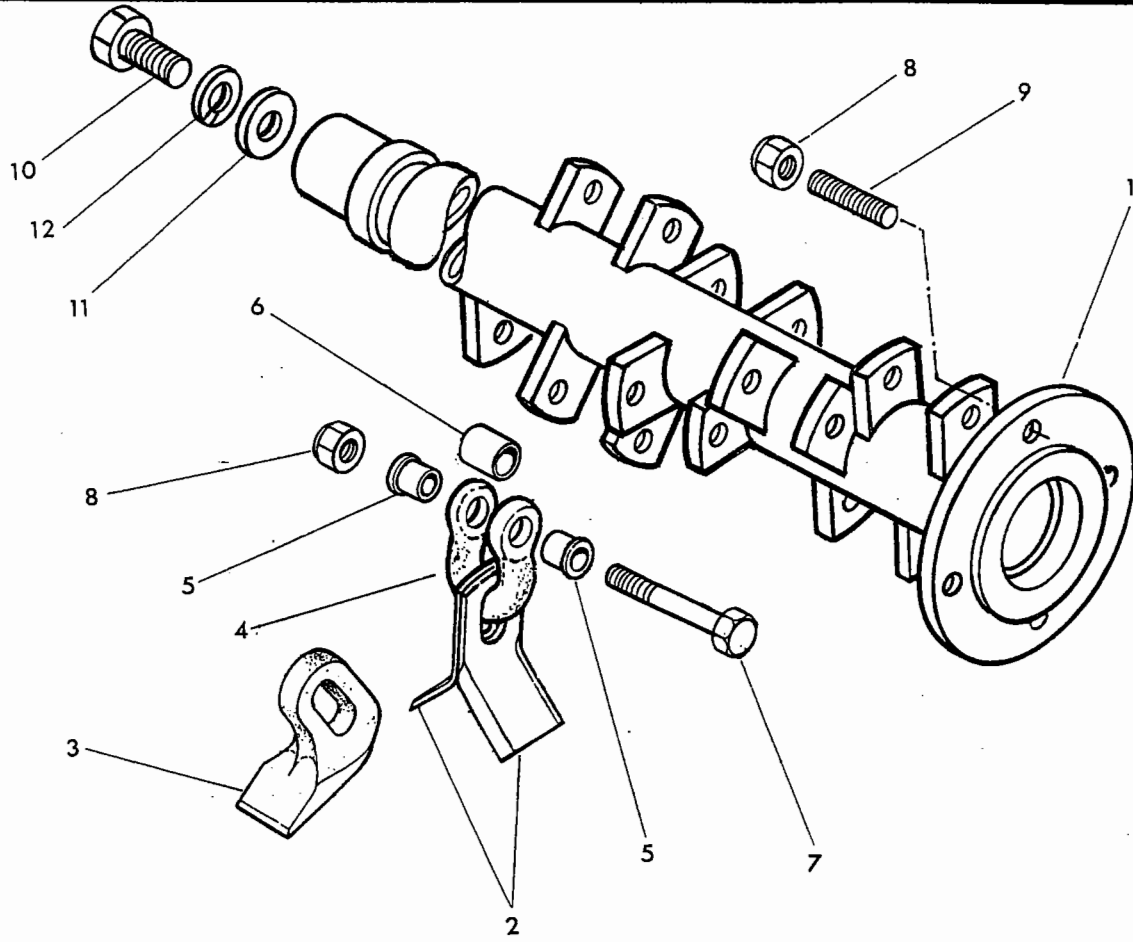
Ref. Part No.	Qty	Description
<b>FLAIL HEAD CASING</b>		
1	41282.01	1 Casing - L.Hand
2	41282.02	1 Casing - R.Hand - not illus.
3	41283.01	1 Front hood
4	41288.01	1 Motor cover
5	08.785.05	1 Hydraulic motor
6	41289.01	1 Rear flap
7	41290.01	1 Clamp strip - rear
8	41291.01	1 Clamp strip - front
9	41293.01	1 Hood pivot bar
10	41296.01	6 Front flap
11	41297.01	1 Hose bracket
12	03.008.01	1 Flange bearing
13	03.833.01	1 Drive plate
14	09.132.01	1 Motor mounting plate
15	03.871.01	3 Rubber bush
16	06.037.01	1 Bearing cover
17	06.430.09	1 Hose clamp
18	06.418.03	1 Clamp plate
19	85 01 247	2 Hose 5/8 BSPX43 long FS-FS
20	09.868.05	1 Hose sleeve
21	93 13 046	2 Setscrew
22	93 13 086	4 Setscrew
23	93 13 056	2 Setscrew
24	91 43 006	13 Self locking nut
25	92 13 136	3 Bolt
26	02.824.01	2 Washer
27	03.960.02	1 Stud
28	01 41 003	1 Self locking nut
29	03.959.02	1 Plain washer - special
30	92 93 054	12 Cup screw
31	93 13 034	8 Setscrew
32	91 43 004	20 Self locking nut
33	92 13 094	1 Bolt
34	91 00 204	1 Spring washer
35	85 81 270	2 Adaptor
36	86 50 106	2 Bonded seal
37	95 01 406	1 Split pin
38	95 01 325	1 Split pin
39	01 00 109	1 Plain washer
40	04 06 247	1 External circlip
41	10 90 037	1 Retaining washer
42	13 35 246	1 Serial No. Plate
43	71 03 230	4 Pop rivet
44	93 13 076	2 Setscrew
45	04.282.56	2 Stud
46	91.13.005	2 Plain nut
47	91.00.205	2 Spring washer

**08.785.02****SEAL KIT - hydraulic motor**

**ROTOR & FLAIL OPTIONS  
ROLLER**



**McLURE**







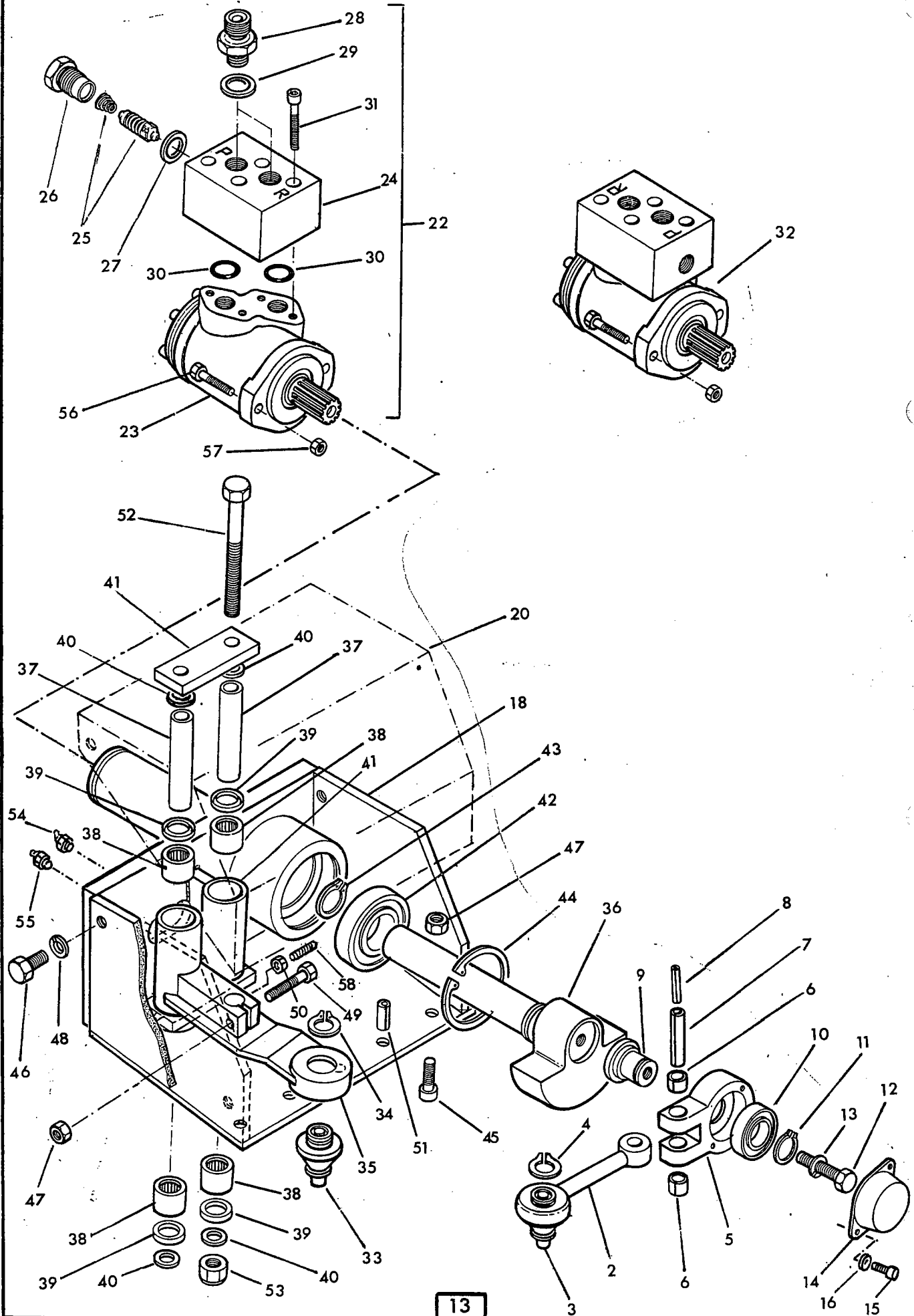
Ref. Part No.	Qty	Description
<b>ROTOR</b>		
1	41284.01	1 Rotor
2	71 90 166	48 Flail - grass
3	71 90 463	24 Flail - universal
4	05.895.01	24 Shackle
5	02.801.01	48 Collar
6	02.807.01	24 Spacer
7	05.775.02	24 Bolt
8	05.968.02	28 Self locking nut
9	03.917.01	4 Stud
10	93 13 076	1 Setscrew
11	02.824.01	1 Washer - special
12	91 00 206	1 Spring washer

<b>ROLLER</b>		
	41301.01	1 Roller assembly compr:-
13	41301.31	1 Roller
14	04.456.07	2 Seal
15	04.456.11	2 Bearing
16	04.456.06	2 Labyrinth seal
17	04.456.04	2 External circlip
18	04.456.08	2 V seal
19	04.456.05	2 Bearing retainer
20	41301.32	1 Roller shaft
21	41285.01	2 Roller bracket
22	91 13 008	4 Plain nut
23	91 00 208	2 Spring washer
24	93 13 066	2 Setscrew
25	93 13 086	2 Setscrew
26	91.43.006	4 Self locking nut

# CUTTERBAR DRIVE



# WILBURN

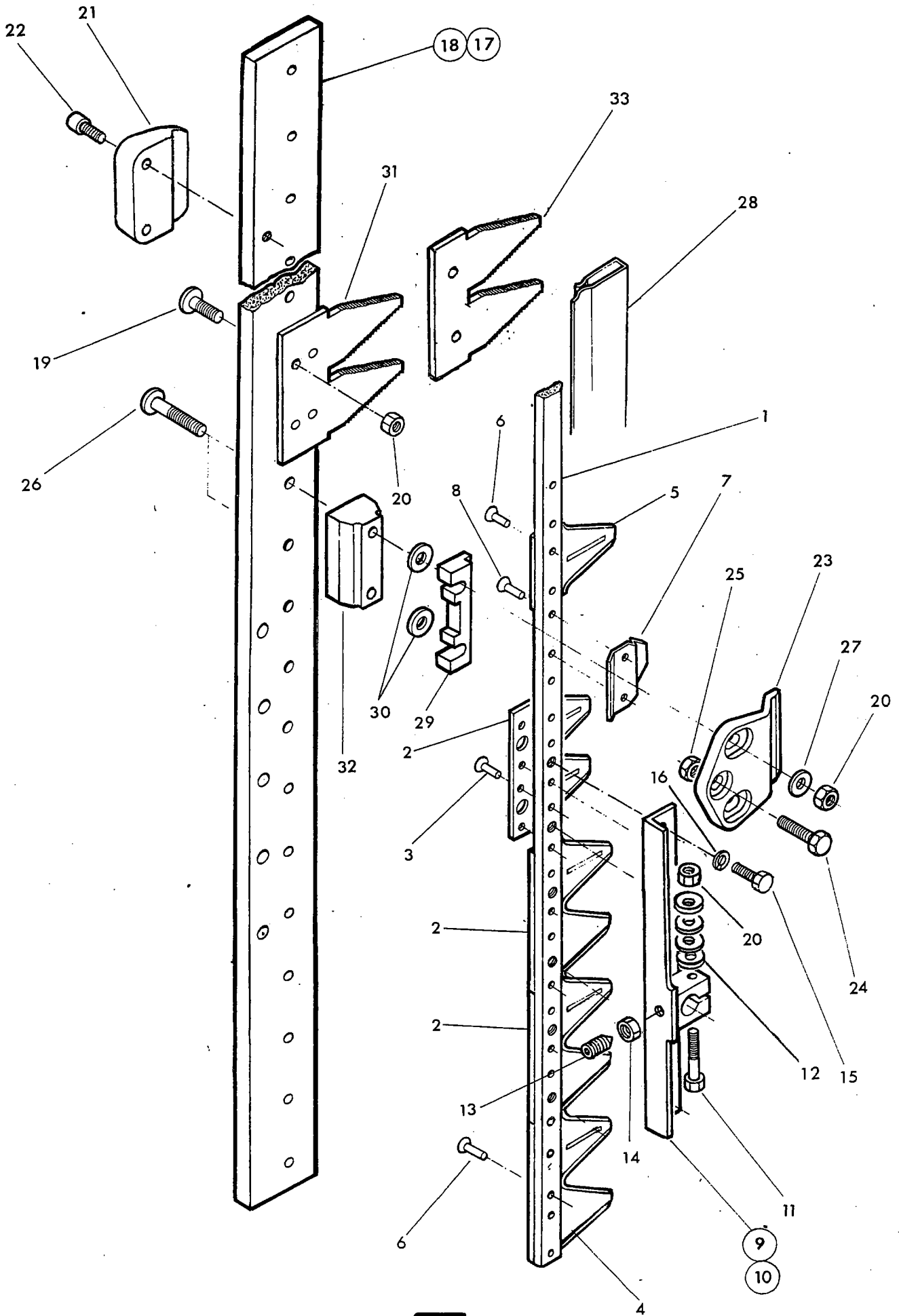




Ref.	Part No.	Qty	Description
<b>CUTTERBAR MOUNTING AND DRIVE</b>			
1	41.075.01	1	Con rod - L.Hand compr:-
2		1	Con rod shaft
3	10 90 058	1	Swivel
4	04 01 225	1	External circlip
5	10 90 056	1	Bearing housing
6	10 90 059	2	Bush
7	10 90 060	1	Spring dowel
8	10 90 061	1	Spring dowel
9	10 90 057	1	Spigot
10	06 00 074	1	Bearing
11	04 01 230	1	External circlip
12	92 13 116	1	Bolt
13	91 00 206	1	Spring washer
14	10 90 054	1	Bearing cap
15	93 43 023	2	Capscrew
16	91 00 203	2	Spring washer
17	41.075.02	1	Con rod-R.Hand-not illus.components as L.Hand
18	41261.01	1	Mounting bracket - L.Hand
19	41261.02	1	Mounting bracket - R.Hand - not illus.
20	41264.01	1	Drive cover - L.Hand
21	41264.02	1	Drive cover - R.Hand - not illus.-
22	41336.01	1	Motor assy. L.Hand compr:-
23	83 01 293	1	Motor
24	41360.01	1	Valve plate
25	81 30 151	1	Relief valve
26	81 30 032	1	Relief valve cap
27	86 50 103	1	Bonded seal
28	G381.2120	2	Adaptor
29	86 50 104	2	Bonded seal
30	86 00 403	2	'O' ring
31	93 43 104	4	Capscrew
32	41336.02	1	Motor assy. R.Hand - components as L.Hand
33	10 90 058	1	Swivel
34	04 01 230	1	External circlip
35	41263.01	1	Rocker arm
36	41266.01	1	Crankshaft
37	41242.01	2	Sleeve
38	06 00 102	4	Bearing
39	86 29 212	4	Sealing ring
40	41275.01	4	Thrust washer
41	41262.01	2	Control link
42	06 00 073	1	Bearing
43	04 02 235	1	External circlip
44	04 11 272	1	Internal circlip
45	93 53 075	3	Capscrew
46	93 13 035	4	Setscrew
47	91 43 005	4	Self locking nut
48	91 00 205	4	Spring washer
49	93 43 105	1	Capscrew
50	91 13 004	1	Plain nut
51	04 28 120	2	Spring dowel
52	92 13 286	2	Bolt
53	91 43 006	2	Self locking nut
54	09 01 124	1	Greaser
55	09 01 121	1	Greaser
56	02 11 165	2	Bolt
57	01 41 005	2	Self locking nut
58	93 63 054	1	Grubscrew

86 99 246

SEAL KIT -hydraulic motor





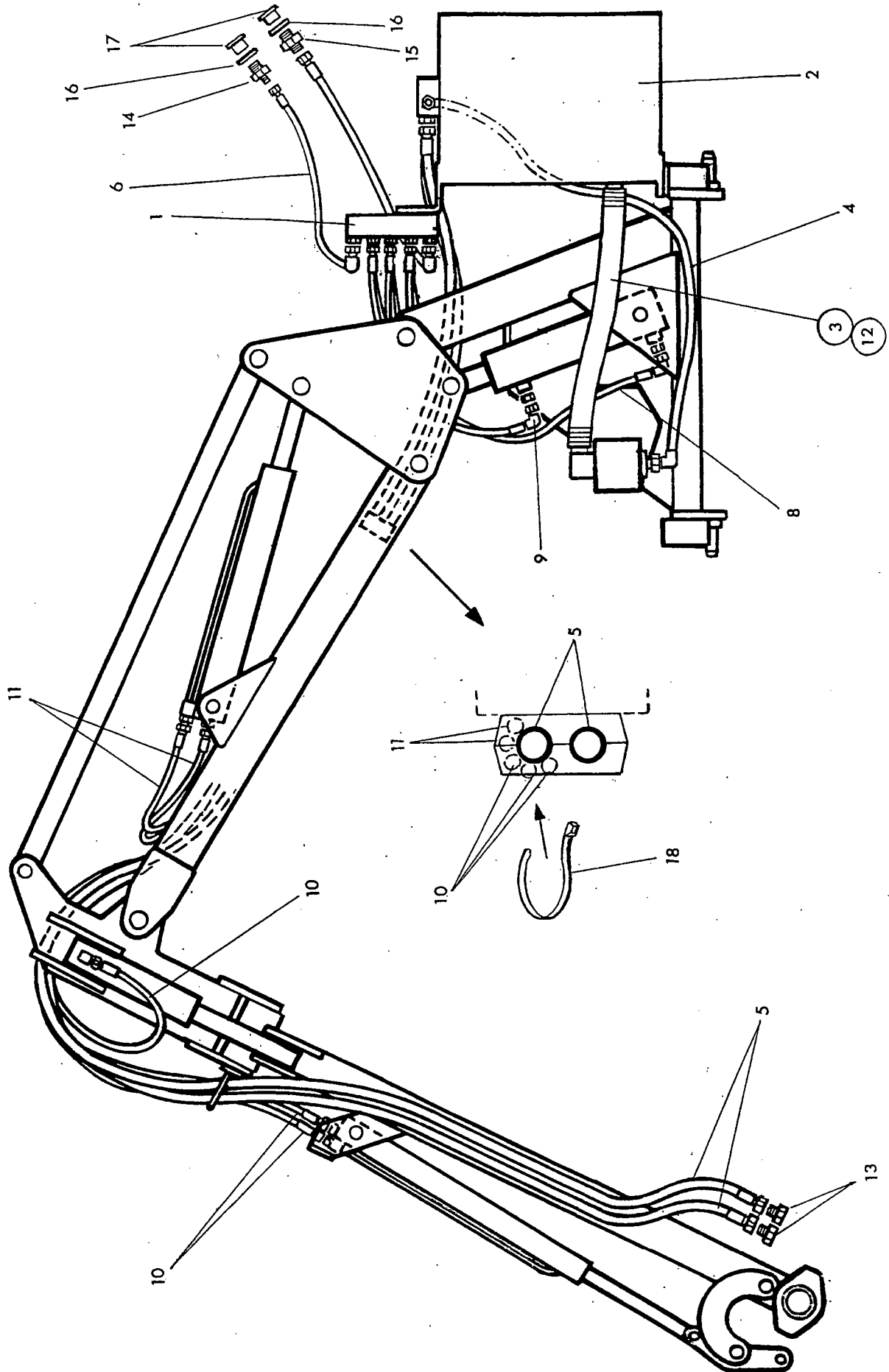
Ref.	Part No.	Qty	Description
<b>CUTTERBAR ASSEMBLIES</b>			
	41.074.03	1	Knife assembly
1	41470.01	1	Knife back
2	41471.01	3	Knife section-double-knife heel pos.
3	10 90 062	12	Rivet
4	41471.02	11	Knife section - double
5	41471.03	1	Knife section - single
6	10 90 063	36	Rivet
7	41472.01	5	Abutment plate
8	10 90 064	20	Rivet
9	41.076.02	1	Knife heel - R.hand
10	41.076.01	1	Knife heel - L.hand
11	92 13 104	1	Setscrews
12	10 90 119	4	Disc spring
13	93 63 044	1	Grubscrew
14	91 13 004	2	Plain nut
15	41477.01	4	Setscrew
16	91 00 204	4	Spring washer
17	41.078.04	1	Fingerbar - R.hand - not illus.
18	41.078.03	1	Fingerbar - L.hand
19	10 90 073	20	Dome headed bolt
20	91 43 004	30	Self locking nut
21	41475.01	1	Slide plate
22	91 43 024	2	Capscrew
23	41476.01	5	Knife clip
24	93 13 064	5	Setscrew
25	91 13 004	5	Plain nut
26	10 90 077	10	Dome headed bolt
27	10 90 079	10	Washer
28	10 90 152	1	Knife guard

**CUTTERBAR ASSEMBLY -  
UNIVERSAL ONLY**

29	41473.01	5	Abutment block
30	10 90 078	10	Washer
31	41474.01	15	Finger

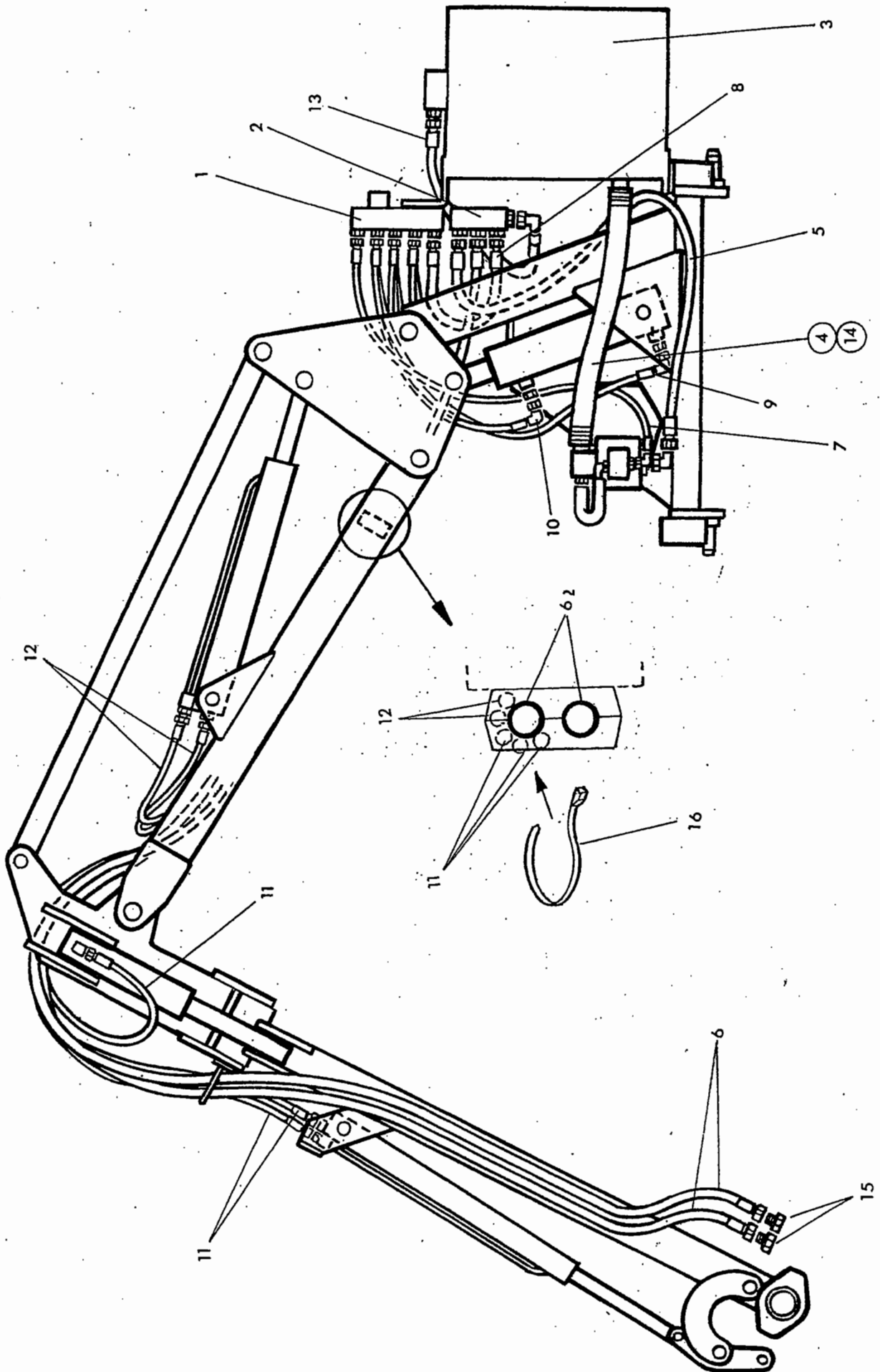
**CUTTERBAR ASSEMBLY -  
GRASS ONLY**

32	41473.02	5	Abutment block
33	41474.02	15	Finger




**HOSE INSTALLATION – Si Models**

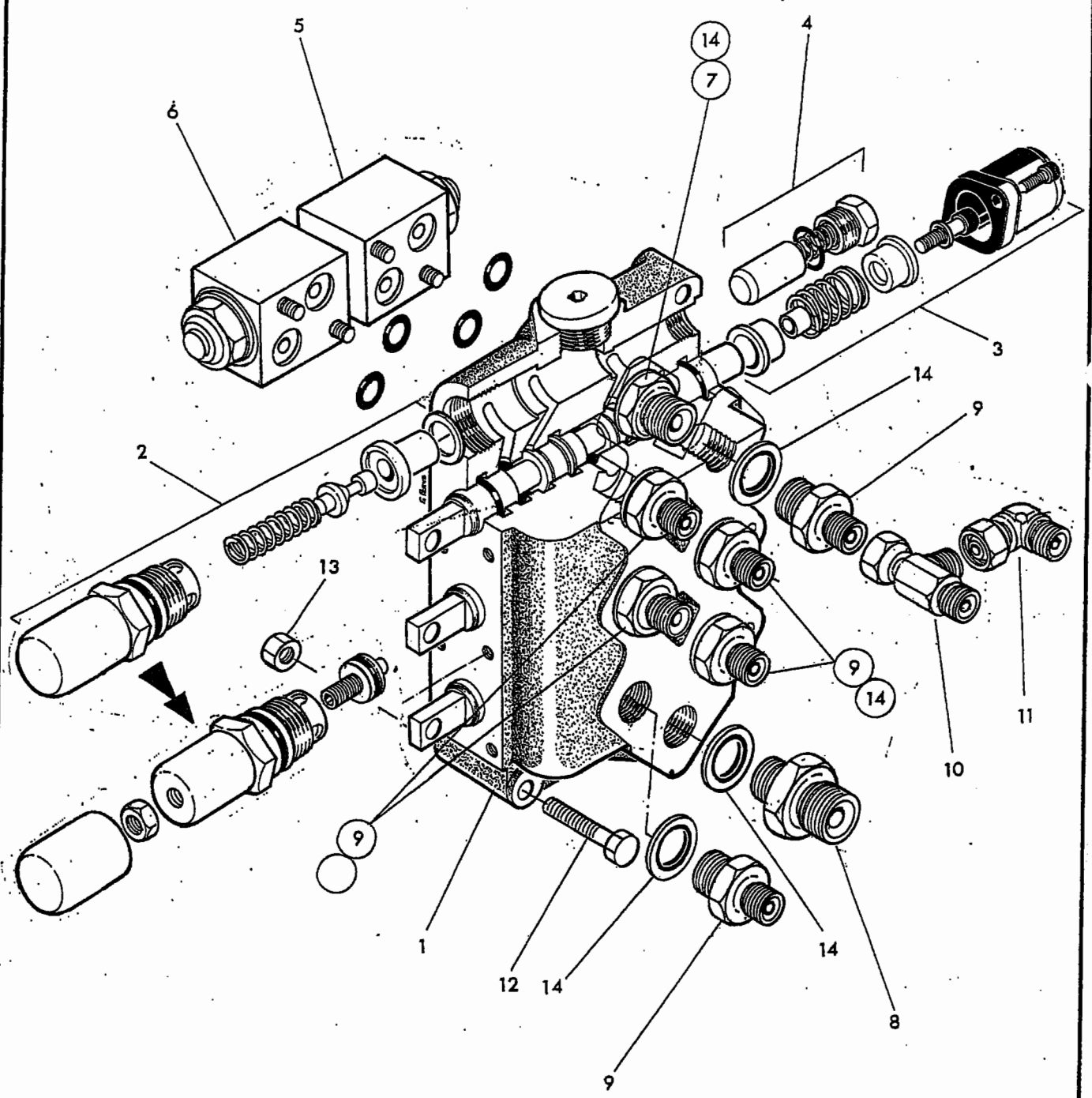
REF.	QTY.	PART No.	DESCRIPTION	
		<b>41320.01</b>	<b>HOSE INSTALLATION KIT - Si Models</b>	
1	1		Control Valve	
2	1		Tank	
3	1	8501139	Hose 1 1/4" x 24 long	<i>Suction</i>
4	1	8501250	Hose 5/8" BSP x 52 long FS-F135	<i>Pump to Tank</i>
5	2	8501249	Hose 5/8" BSP x 140 long FS-FS	<i>Flail Hoses</i>
6	1	8531323	Hose 3/8" BSP x 80 long SF-90F	<i>Supply</i>
7	1	8532014	Hose 1/2" BSP x 80 long SF-90F	<i>Return</i>
8	1	8535042	Hose 1/4" BSP x 40 long SF-90F	<i>Lift Base</i>
9	1	8535082	Hose 1/4" BSP x 34 long SF-90F	<i>Lift Gland</i>
10	3	10.001.33	Hose 1/4" BSP x 2300 long SF-SF	<i>Angle &amp; B/way</i>
11	2	8515132	Hose 1/4" BSP x 64 long SF-SF	<i>Reach</i>
12	4	0904107	Hose Clip	
13	2	G3812119	Blanking Cap	
14	1	6000112	Adaptor - MM	
15	1	8581110	Union	
16	2	8650104	Bonded Seal	
17	2	ST134	Plastic Blanking Cap	
18	<i>as req'd</i>	7196045	Hose Tie 300 long	

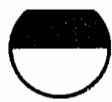




**HOSE INSTALLATION – Ti Models**

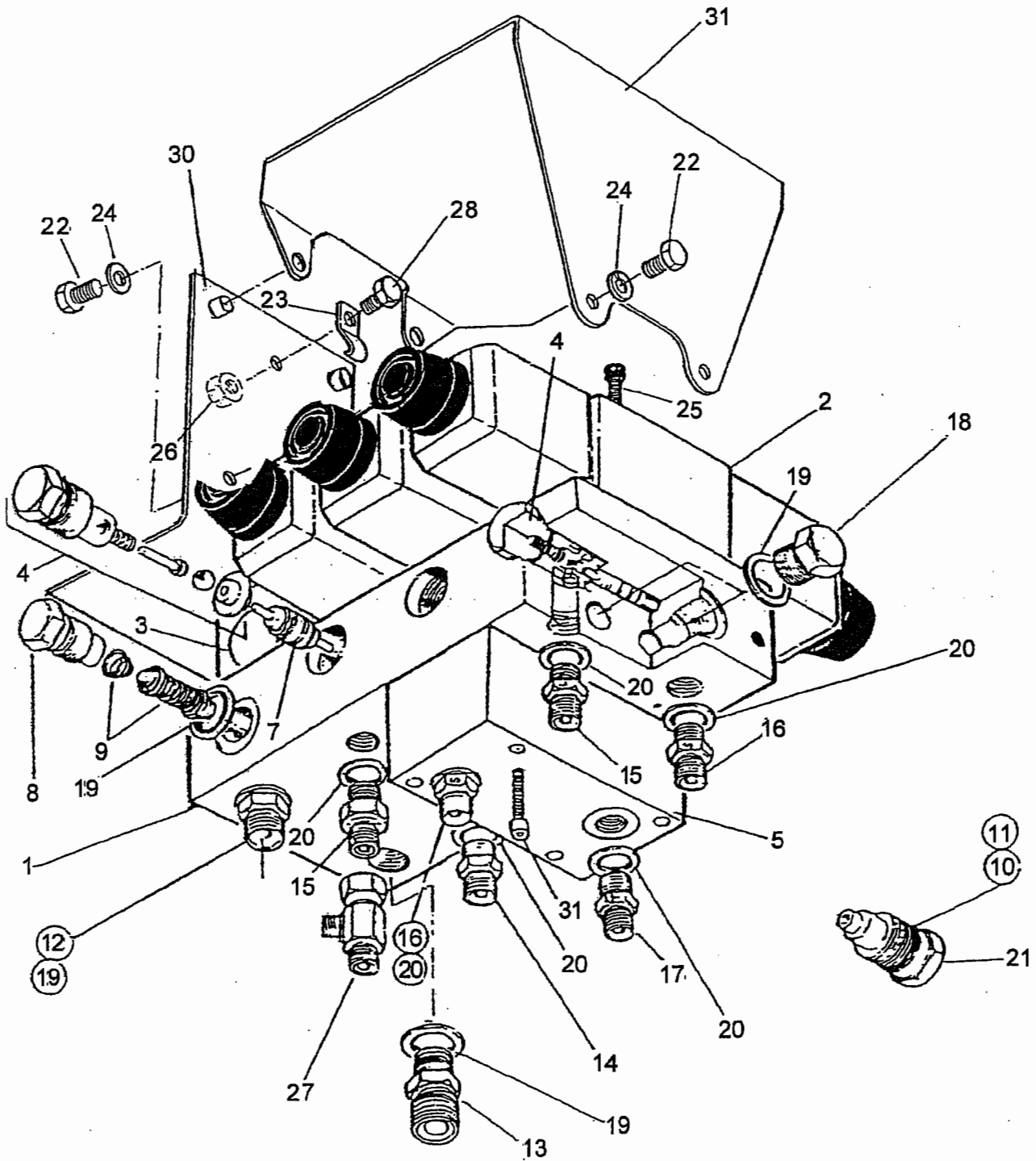
REF.	QTY.	PART No.	DESCRIPTION	
<b>ALL TI MODELS</b>				
1	1		Control Valve	
2	1		Rotor Control Valve	
3	1		Tank	
<b>41320.07 CABLE TI HOSE KIT - L/H Build</b>				
4	1	8501307	Hose 1 1/4" x 560 long	<i>Suction</i>
5	1	10.008.12	Hose 5/8" BSP x 600 long FS/F90	<i>Pump to RCV</i>
6	2	8501249	Hose 5/8" BSP x 140 long FS/FS	<i>Flail Hoses</i>
7	1	8531243	Hose 3/8" BSP x 51 long FS/F90	<i>Pump to Valve</i>
8	1	8533144	Hose 1/2" BSP x 22 long FS/F90	<i>Valve to RCV</i>
9	1	8535042	Hose 1/4" BSP x 40 long FS/F90	<i>Lift Base</i>
10	1	8535082	Hose 1/4" BSP x 34 long FS/F90	<i>Lift Gland</i>
11	3	10.001.33	Hose 1/4" BSP x 2300 long FS/FS	<i>Angle &amp; B/way</i>
12	2	8515132	Hose 1/4" BSP x 64 long FS/FS	<i>Reach</i>
13	1	10.008.22	Hose 5/8" BSP x 1200 long FS/F90	<i>RCV to Tank</i>
<b>41320.08 CABLE TI HOSE KIT - R/H Build</b>				
4	1	8501307	Hose 1 1/4" x 560 long	<i>Suction</i>
5*	1	10.008.12	Hose 5/8" BSP x 600 long FS/F90	<i>Pump to RCV</i>
6	2	8501249	Hose 5/8" BSP x 140 long FS/FS	<i>Flail Hoses</i>
7	1	8531403	Hose 3/8" BSP x 40 long ST-90	<i>Pump to Valve</i>
8	1	8533144	Hose 1/2" BSP x 22 long FS/F90	<i>Valve to RCV</i>
9	1	8535042	Hose 1/4" BSP x 40 long FS/F90	<i>Lift Base</i>
10	1	8535082	Hose 1/4" BSP x 34 long FS/F90	<i>Lift Gland</i>
11	3	10.001.33	Hose 1/4" BSP x 2300 long FS/FS	<i>Angle &amp; B/way</i>
12	2	8515132	Hose 1/4" BSP x 64 long FS/FS	<i>Reach</i>
13*	1	10.008.12	Hose 5/8" BSP x 600 long FS/F90	<i>RCV to Tank</i>
* NOTE: For Right Hand build machines items 5 & 13 are identical, therefore Kit 41320.08 contains 2 x hose 10.008.12				
<b>41320.09 ELECTRIC TI HOSE KIT - L/H &amp; R/H Build</b>				
4	1	8501307	Hose 1 1/4" x 560 long	<i>Suction</i>
5	1	10.008.12	Hose 5/8" BSP x 600 long FS/F90	<i>Pump to RCV</i>
6	2	8501249	Hose 5/8" BSP x 140 long FS/FS	<i>Flail Hoses</i>
7	1	8531403	Hose 3/8" BSP x 40 long ST-90	<i>Pump to Valve</i>
8	1	8533144	Hose 1/2" BSP x 22 long FS/F90	<i>Valve to RCV</i>
9	1	8535042	Hose 1/4" BSP x 40 long FS/F90	<i>Lift Base</i>
10	1	8535082	Hose 1/4" BSP x 34 long FS/F90	<i>Lift Gland</i>
11	3	10.001.33	Hose 1/4" BSP x 2300 long FS/FS	<i>Angle &amp; B/way</i>
12	2	8515132	Hose 1/4" BSP x 64 long FS/FS	<i>Reach</i>
13	1	10.008.22	Hose 5/8" BSP x 600 long FS/F90	<i>RCV to Tank</i>
<b>ALL TI MODELS</b>				
14	4	0904107	Hose Clip	
15	2	G3812119	Blanking Cap	
16	as req'd	7196045	Hose Tie	





Ref. Part No.	Qty	Description
<b>CONTROL VALVE ASSEMBLY</b>		
1	81 30 324	1 Control valve:
2	G381 2539	1 Main relief valve 160 Bar (2300 Psi)
3	81 30 134	3 Centering spring assembly
4	81 30 022	1 Non return valve assembly
5	81 28 022	1 Service relief valve 175 Bar - Lift base
6	81 28 065	1 Service relief valve 40 Bar Lift gland
7	60 00 113	1 Adaptor 3/8 BSP MM
8	60 00 112	1 Adaptor 3/8 BSP 1/2 BSP MM
9	85 81 115	6 Adaptor 3/8 BSP 1/4 BSP MM
10	85 81 254	1 Tee connector 1/4 BSP MFM
11	85 81 190	1 Elbow-swivel 1/4 BSP MF
12	92 13 144	2 Bolt M8X70
13	91 43 004	2 Self locking nut M8
14	86 50 103	8 Bonded seal 3/8 BSP
	<b>86 99 163</b>	<b>SEAL KIT</b>
	<b>87 00 510</b>	<b>4 'O' ring</b>

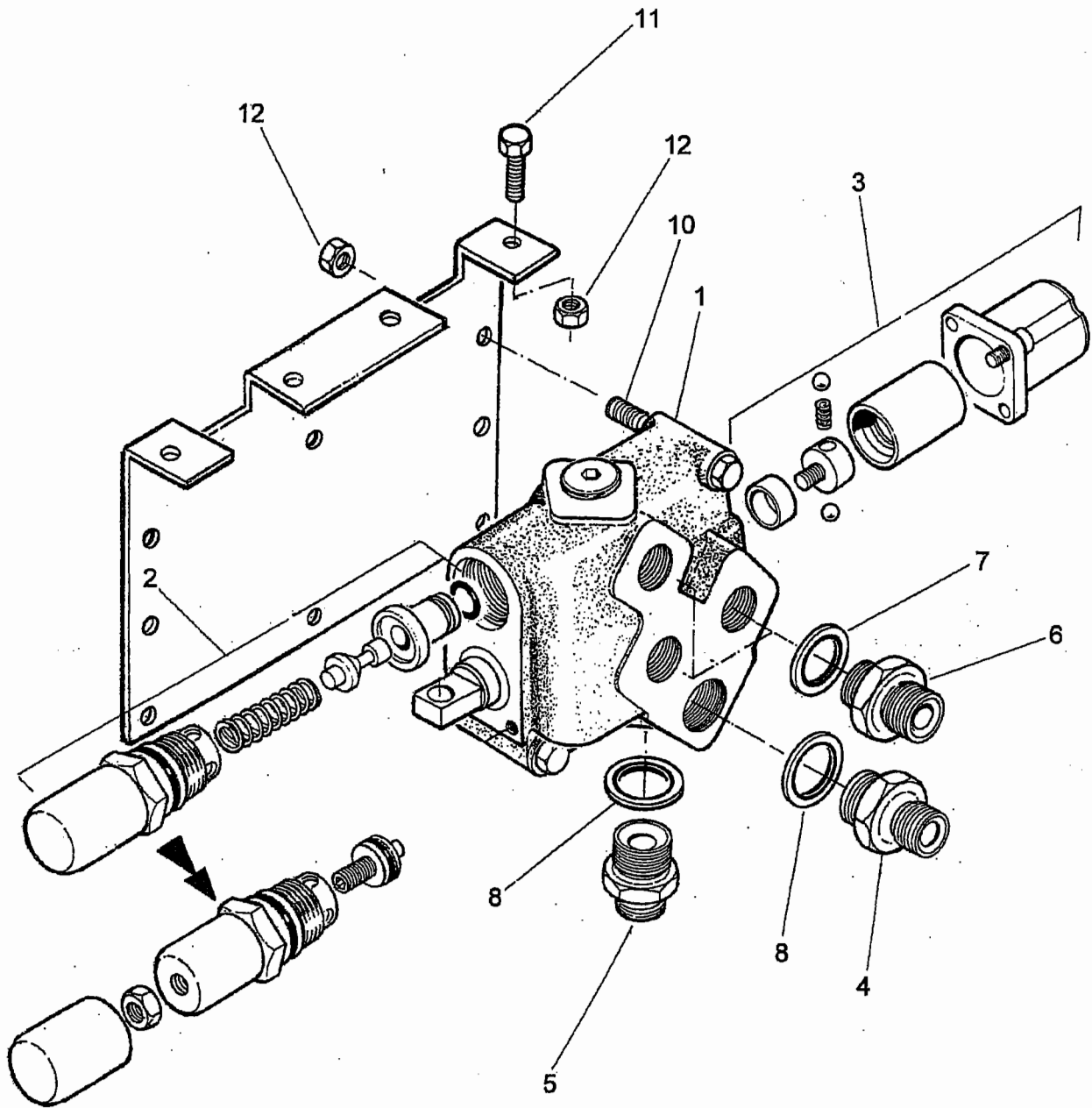
CONTROL VALVE - Ti ELECTRIC




**CONTROL VALVE - Ti ELECTRIC**

REF.	QTY.	PART No.	DESCRIPTION
		<b>7490787</b>	<b>ELECTRIC TI CONTROL VALVE ASSEMBLY</b>
1	1	8130321	Manifold Block
2	3	8130629	Double Solenoid Valve
3	1	8130456	Single Solenoid Valve
4	5	8130090	Check Valve Assembly
5	1	8130322	Hose Plate
6	4	9243082	Capscrew
7	3	8130087	Actuator
8	1	8130032	Relief Valve Cap
9	1	8130124	Relief Valve c/w Spring
10	1	8709644	Anti Extrusion Ring
11	1	8700644	'O' Ring
12	1	6000113	Union
13	1	6000112	Adaptor
14	1	8581169	Union
15	2	8130038	Restrictor Union
16	2	8130037	Restrictor Union
17	1	8130103	Restrictor Union
18	2	8003001	Plug
19	5	8650103	Seal
20	6	8650102	Seal
21	1	8130078	Plug
22	4	9313034	Setscrew
23	1	7109151	Cable Clamp
24	4	9100204	Washer
25	16	9243062	Capscrew
26	7	9143004	Nut
27	1	8581254	Tee
28	7	9343044	Bolt
29	1	41844.02	Loom
30	1	43497.01	Valve Mounting Plate
31	1	7194277	Valve Cover

ROTOR CONTROL VALVE (Ti only)

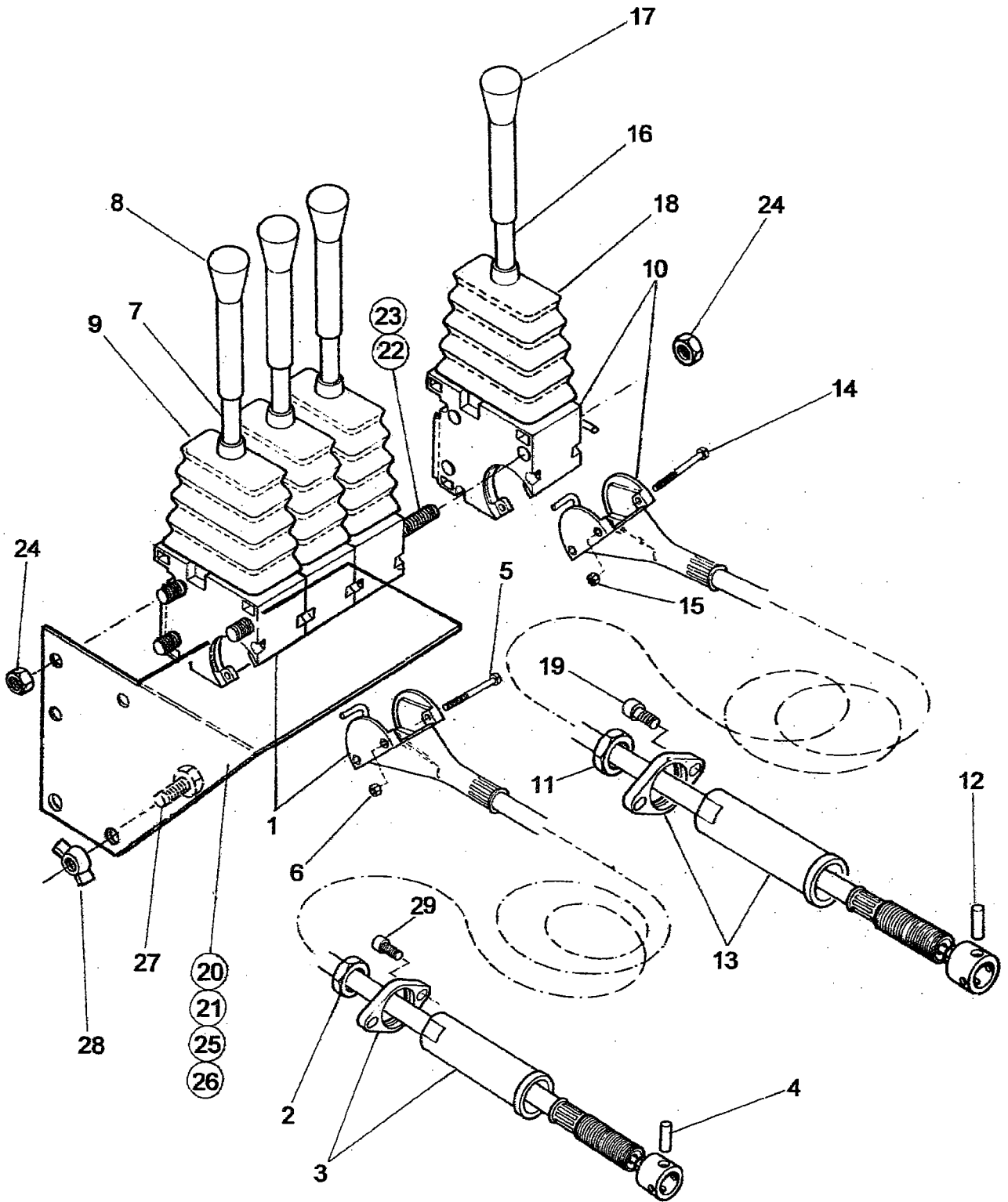


**ROTOR CONTROL VALVE (Ti only)**



REF.	QTY.	PART No.	DESCRIPTION
			<b>ROTOR CONTROL VALVE ASSEMBLY</b>
1	1	8125343	Rotor Control Valve <i>inc:</i>
2	1	8125095	Relief Valve - 3000 psi (210 bar)
3	1	8125109	Spool Detent Assembly
4	1	8581130	Adaptor
5	1	8581270	Adaptor
6	3	8581180	Adaptor
7	3	8650104	Bonded Seal
8	2	8650106	Bonded Seal
9	1	41328.01	Mounting Bracket
10	3	9213164	Bolt
11	2	9313044	Setscrew
12	5	9143004	Self Locking Nut

**8699218 SEAL KIT**





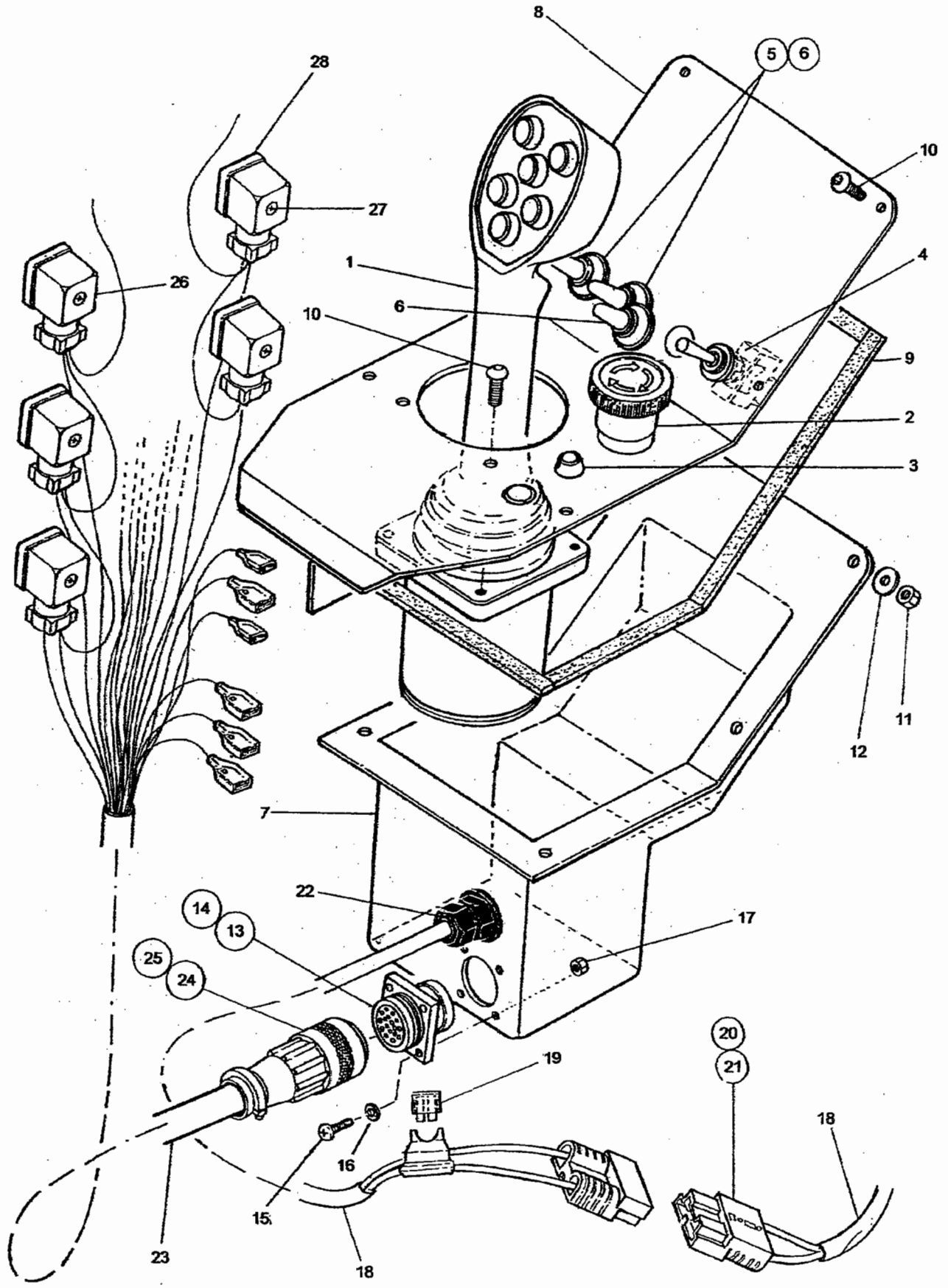


REF.	QTY.	PART No.	DESCRIPTION
<b>CONTROL LEVERS AND CABLES</b>			
1	3	<b>8017054</b>	<b>LEVER &amp; CABLE ASSEMBLY (Lift/Reach/Angle)</b>
2	1	8017014	Locknut
3	1	8017013	Flange and Sleeve
4	1	8017016	Spool Eye Pin
5	2	9373081	Screw
6	2	9113001	Nut
7	1	8017023	Lever
8	1	8017027	Knob
9	1	8017026	Weather Gaiter
10	1	<b>8017045</b>	<b>** LEVER &amp; CABLE ASSEMBLY (Rotor Control)</b>
11	1	8017014	** Locknut
12	1	8017021	** Pin
13	1	8017018	** Flange and Sleeve
14	2	9373081	** Screw
15	2	9113001	** Nut
16	1	8017023	** Lever
17	1	09.968.99	** Knob
18	1	8017026	** Weather Gaiter
19	2	9343023	** Capscrew
20	1	09.970.01	** Mounting Bracket - 4 Lever L/H
21	1	09.970.02	** Mounting Bracket - 4 Lever R/H
22	3	04.282.70	** Tie Rod - 4 Lever
23	3	04.282.73	* Tie Rod - 3 Lever
24	3	9143003	Self Locking Nut
25	1	41.181.01	* Mounting Bracket - 3 Lever L/H
26	1	41.181.02	* Mounting Bracket - 3 Lever R/H
27	2	9313034	Setscrew
28	2	9193004	Wingnut
29	6	9343022	Capscrew

\* *Si Models only*

\*\* *Ti Models only*

MODULE:  
8402905

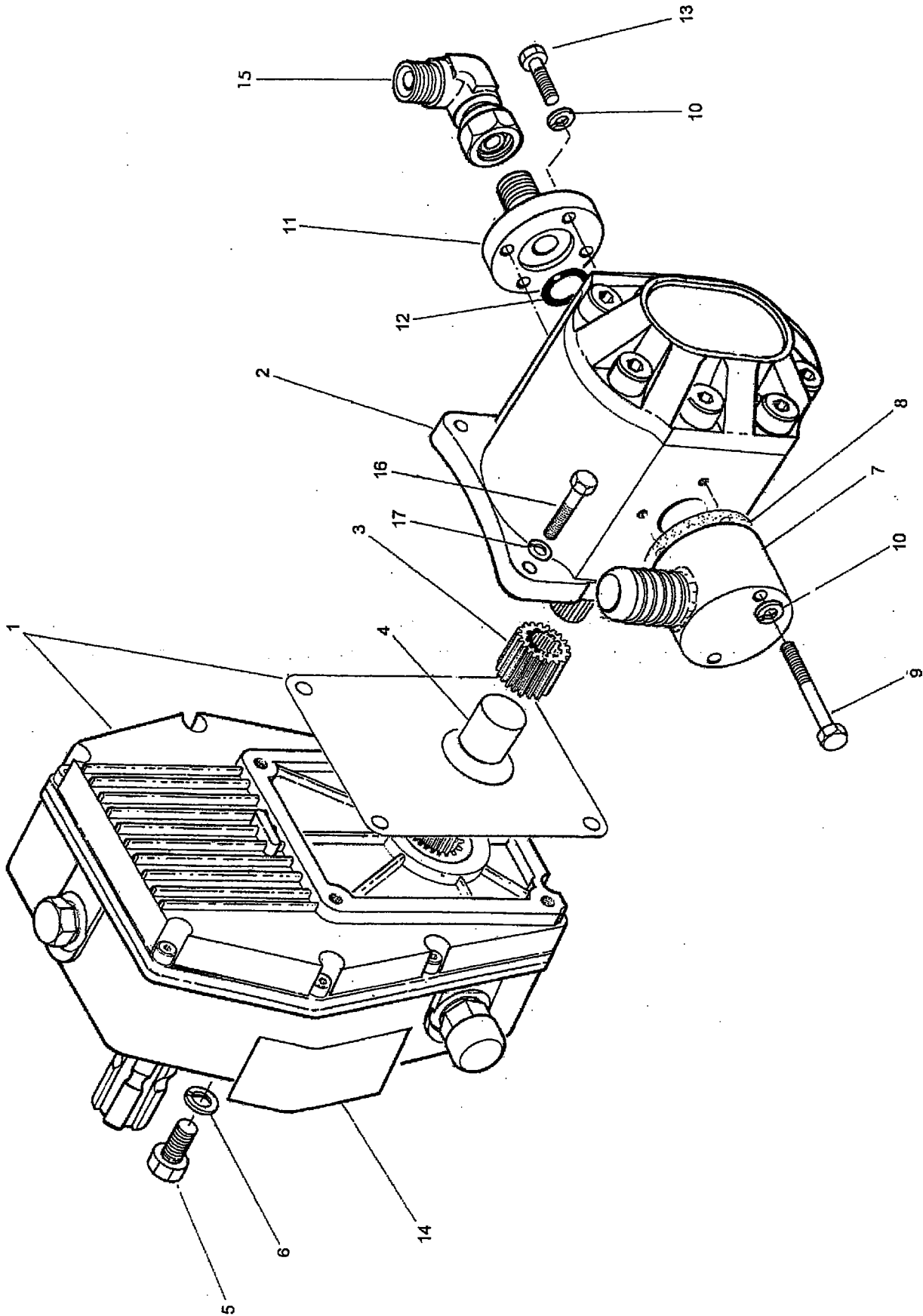


**MONOLEVER CONTROL & LOOM****McCONNEL**

REF.	QTY.	PART NO.	DESCRIPTION
		<b>41590.03</b>	<b>MONOLEVER 6 BUTTON CONTROL ASSEMBLY</b>
1	1	41590.32	Joystick - including Circuit Board
2	1	8402184	Power On/Emergency Stop
3	1	8402174	L.E.D. Main Power On
4	1	8402182	Switch - Slew/Auto Reset
5	2	8402023	Switch - Lift and Angle Float
6	3	8402024	Weather Cover
7	1	7550300	Cover Pod
8	1	7550339	Top Plate
9	1	7290052	Sealing Strip ( <i>cut to suit</i> )
10	10	9300125	Screw - Button Head
11	6	9143003	Self Locking Nut
12	6	9100103	Washer
13	1	8402189	Socket Shell
14	14	8402192	Socket Pin - Female
15	4	9200007	Screw - Posidrive Panhead
16	4	9100400	External Serrated Washer
17	4	9100013	Nut - Plated
18	1	8402232	Power Loom <i>inc:</i>
19	1	43034.03	Fuse
20	2	8402230	Contact Housing
21	4	8402229	Contacts
22	1	8402042	Gland
23	1	41844.01	Wiring Loom <i>inc:</i>
24	1	8402188	Shell
25	1	8402190	Cable Clamp
26	12	07.835.04	Plug <i>inc:</i>
27	1	07.835.03	Screw
28	1	07.835.02	Gasket
29	1	8402193	Special Tool



**PUMP & GEARBOX – Si Models**



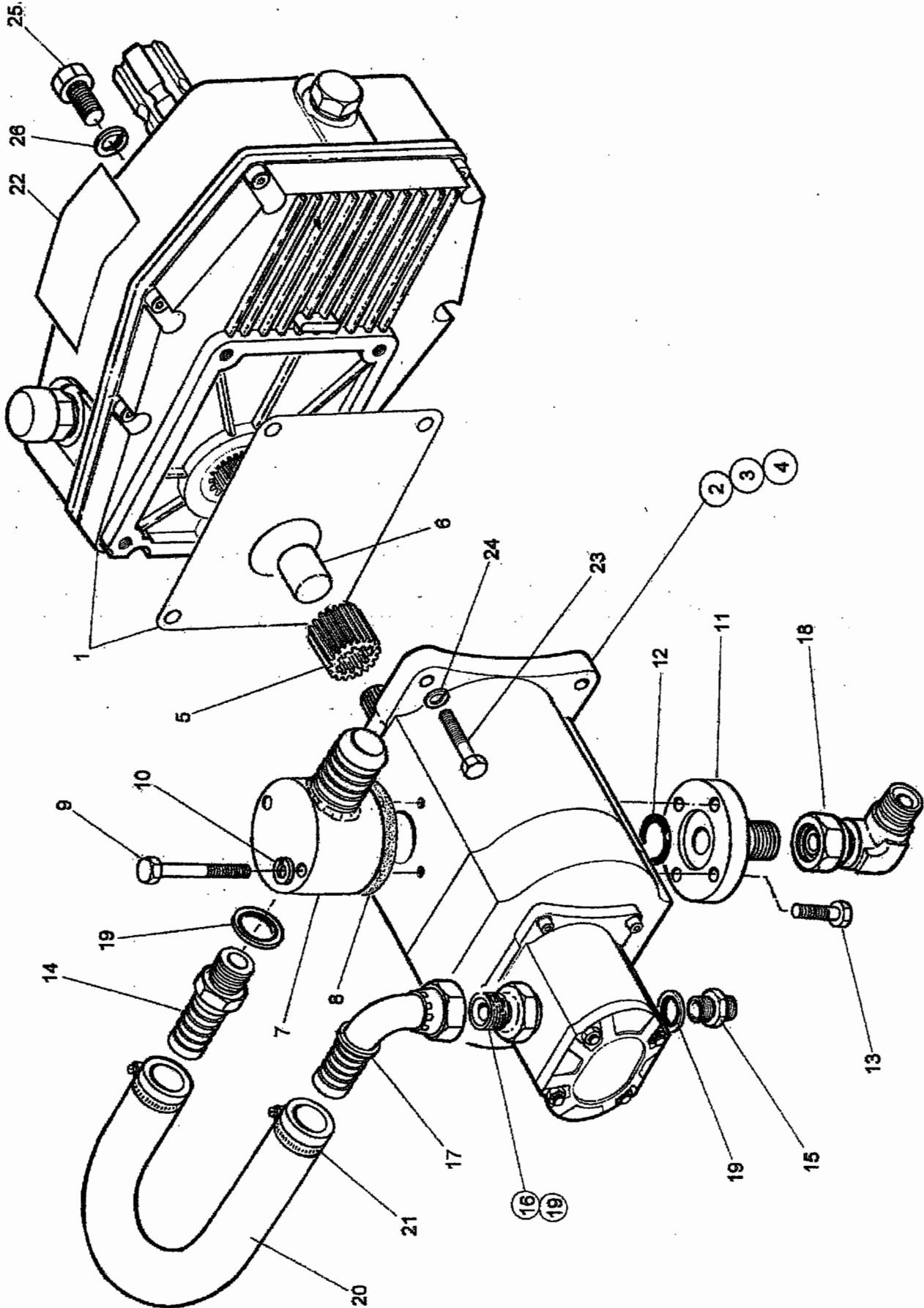
**PUMP & GEARBOX - Si Models****McCONNELL**

REF.	QTY.	PART No.	DESCRIPTION
			<b>PUMP &amp; GEARBOX ASSEMBLY - Si Models</b>
1	1	8013443	Gearbox Assembly
2	1	8201463	Pump
3	1	8013097	Coupling
4	1	42415.02	Spacer
5	4	9313046	Setscrew
6	4	9100206	Spring Washer
7	1	8012022/B	Suction Connection
8	1	8013023	Gasket
9	2	9213144	Bolt
10	6	9100204	Spring washer
11	1	8013083	Pressure Connection
12	1	8600119	'O' Ring
13	4	9313054	Setscrew
14	1	1290030	Sticker
15	1	8581338	Elbow - Swivel
16	4	9213095	Bolt
17	4	9100205	Spring Washer
		<b>8699231</b>	<b>PUMP SEAL KIT</b>

# PUMP & GEARBOX - Ti Models



# McCORMICK



## PUMP &amp; GEARBOX - Ti Models

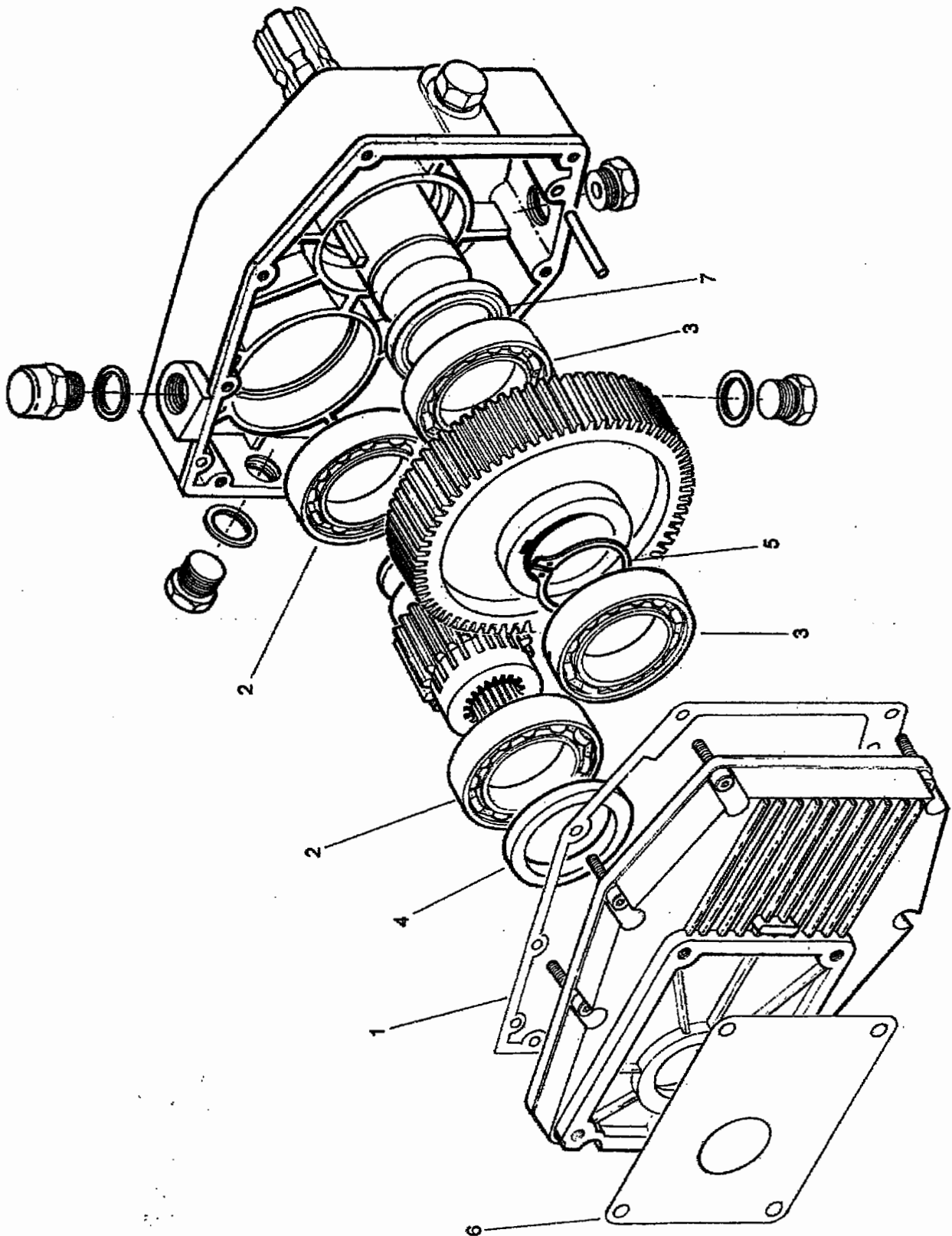


REF.	QTY.	PART No.	DESCRIPTION
		41317.01	TI PUMP & GEARBOX ASSEMBLY - L/H Build
		41317.06	TI PUMP & GEARBOX ASSEMBLY - R/H Build
1	1	8013443	Gearbox Assembly
2	1	8201466	Tandem Pump - <i>comprising of:</i>
3	1	8201684	Large Pump
4	1	8201677	Small Pump
5	1	8013097	Coupling
6	1	42415.02	Spacer
7	1	8013082	Suction Connection
8	1	8013023	Gasket
9	2	9213144	Bolt
10	2	9100204	Spring Washer
11	1	8013083	Pressure Connection
12	1	8600119	'O' Ring
13	4	9300147	Setscrew
14	1	8002059	Adaptor - low pressure
15	1	6000112	Adaptor
16	1	G3812120	Adaptor
17	1	8581173	Elbow - <i>low pressure</i>
18	1	8581338	Elbow - <i>swivel</i>
19	2	8650104	Bonded Seal
20	1	8501099	Hose - 5/8" bore x 13" long
21	2	0904204	Hose Clips
22	1	1290030	Gearbox Label
23	4	9213095	Bolt
24	4	9100205	Spring Washer
25	4	9313046	Setscrew
26	4	9100206	Spring Washer
		8699231	PUMP SEAL KIT

# GEARBOX ASSEMBLY



# McCONNELL





**GEARBOX ASSEMBLY**

REF.	QTY.	PART No.	DESCRIPTION
		<b>8013443</b>	<b>GEARBOX ASSEMBLY</b>
1	1	8013087	Gearbox Casing Sealing Gasket
2	2	0600047	Bearing
3	2	0600048	Bearing
4	1	8629139	Seal
5	1	0401250	External Circlip
6	1	9013056	Pump Face Gasket
7	1	8629134	Seal

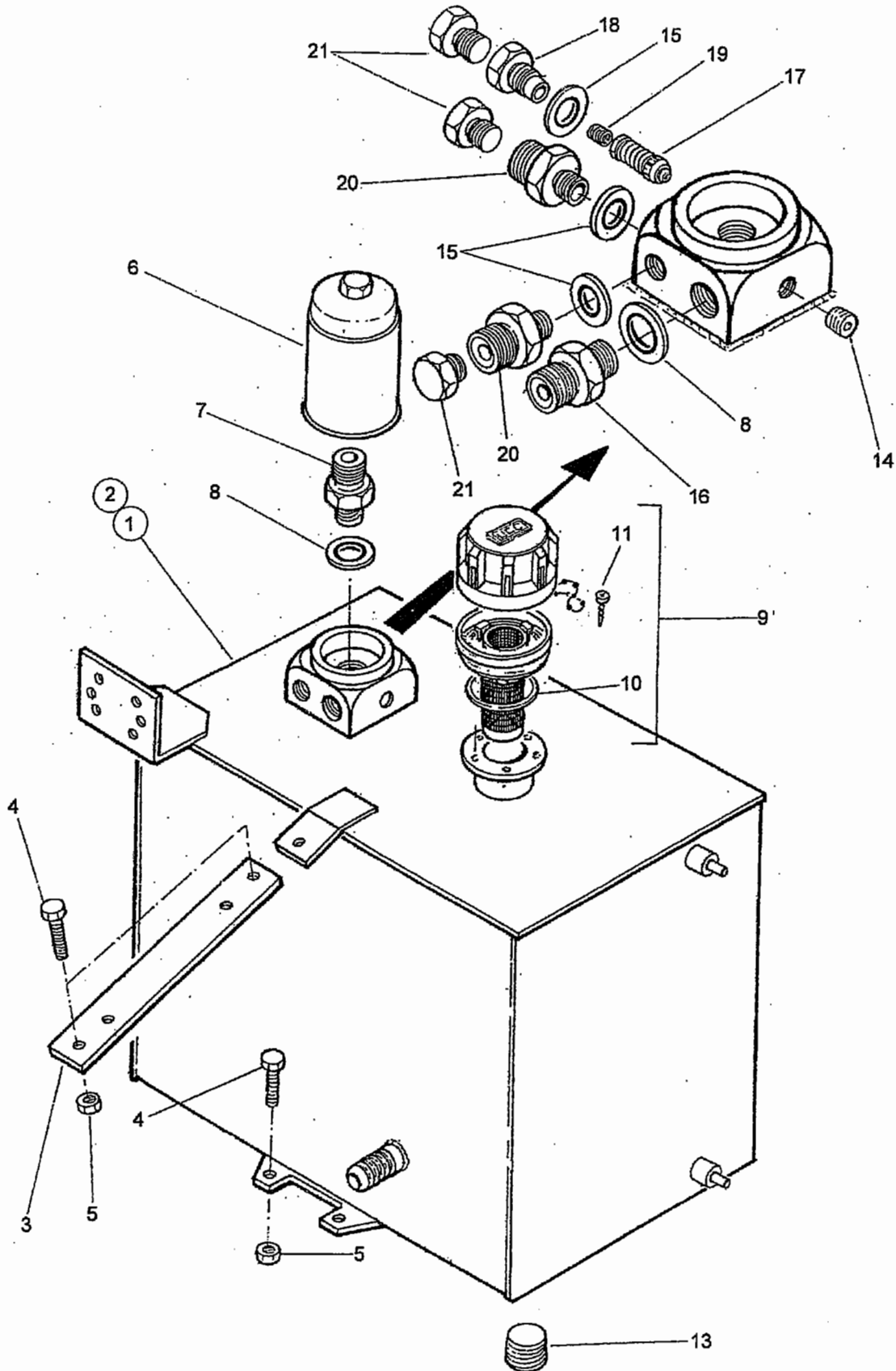


# HYDRAULIC TANK ASSEMBLY

## MODULES:

7490779 - L/H Build

7490780 - R/H Build

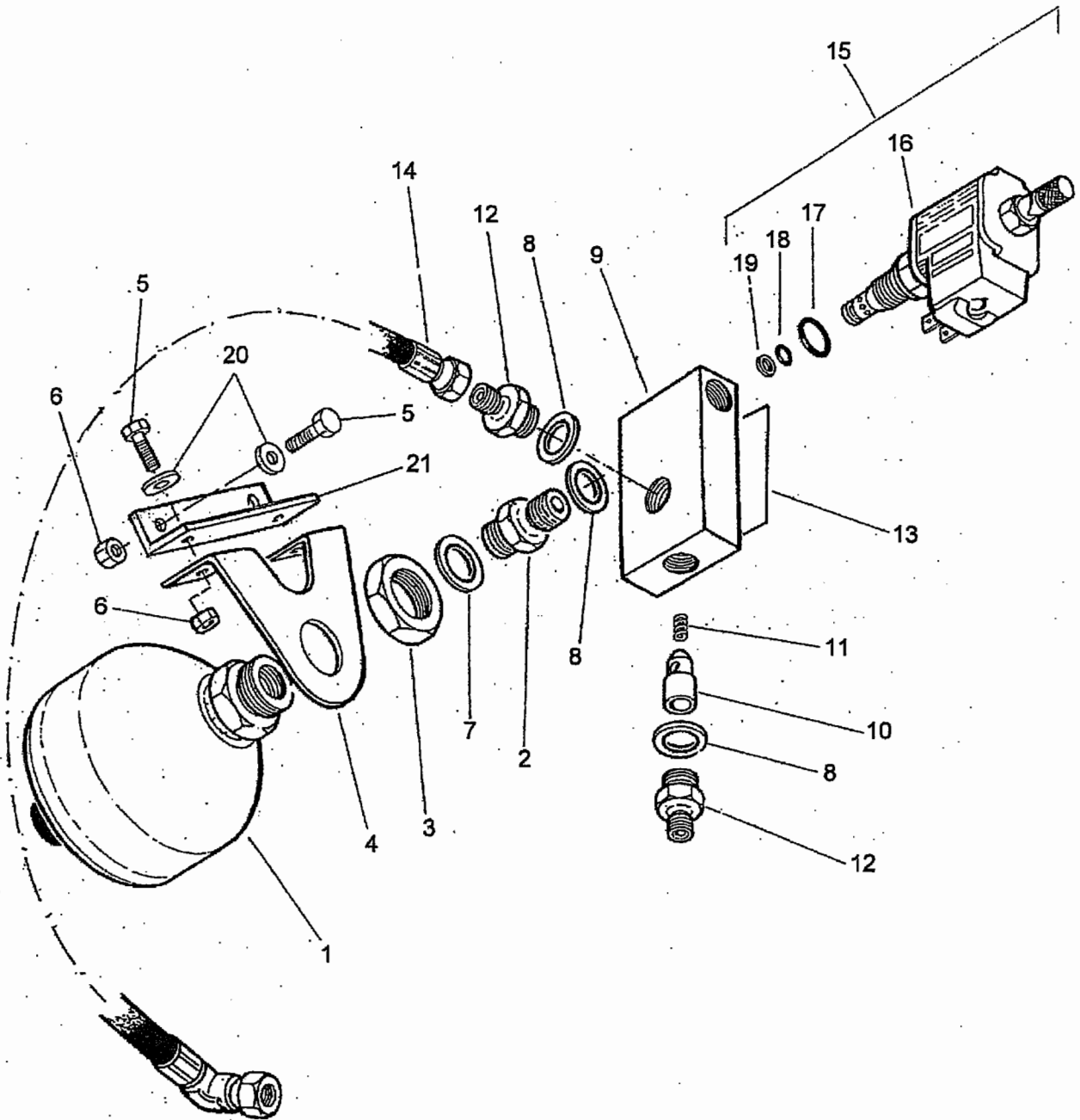



**HYDRAULIC TANK ASSEMBLY**

REF.	QTY.	PART No.	DESCRIPTION
		<b>7490779</b>	<b>HYDRAULIC OIL TANK ASSEMBLY - L/H Build</b>
		<b>7490780</b>	<b>HYDRAULIC OIL TANK ASSEMBLY - R/H Build</b>
1	1	41196.05	Tank - L/H ( <i>Right Hand on Front Mounted Models</i> )
2	1	41196.06	Tank - R/H ( <i>Left Hand on Front Mounted Models</i> )
3	1	41204.01	Tank Strap
4	4	9313065	Setscrew
5	4	9143005	Self Locking Nut
6	1	8401045	Filter
7	1	8581174	Adaptor
8	2	8650104	Bonded Seal
9	1	8401014	Filler/Breather Assembly - <i>comprising of:</i>
10	1	8401017	Gasket
11	6	0300082	Screw - Self Tapping
12	2	9100205	Spring Washer
13	1	8581203	Drain plug
14	1	8582042	Plug
15	3	8650103	Bonded Seal
16	1	G381.2120	Adaptor
17	1	8130030	Relief Valve
18	1	8130031	Relief Valve Housin
19	1	8116011	Spring
20	2	8581175	Adaptor
21	3	8003001	Blanking Plug - <i>Ti only</i>

*Si only*

LIFT FLOAT KIT - Quick Response

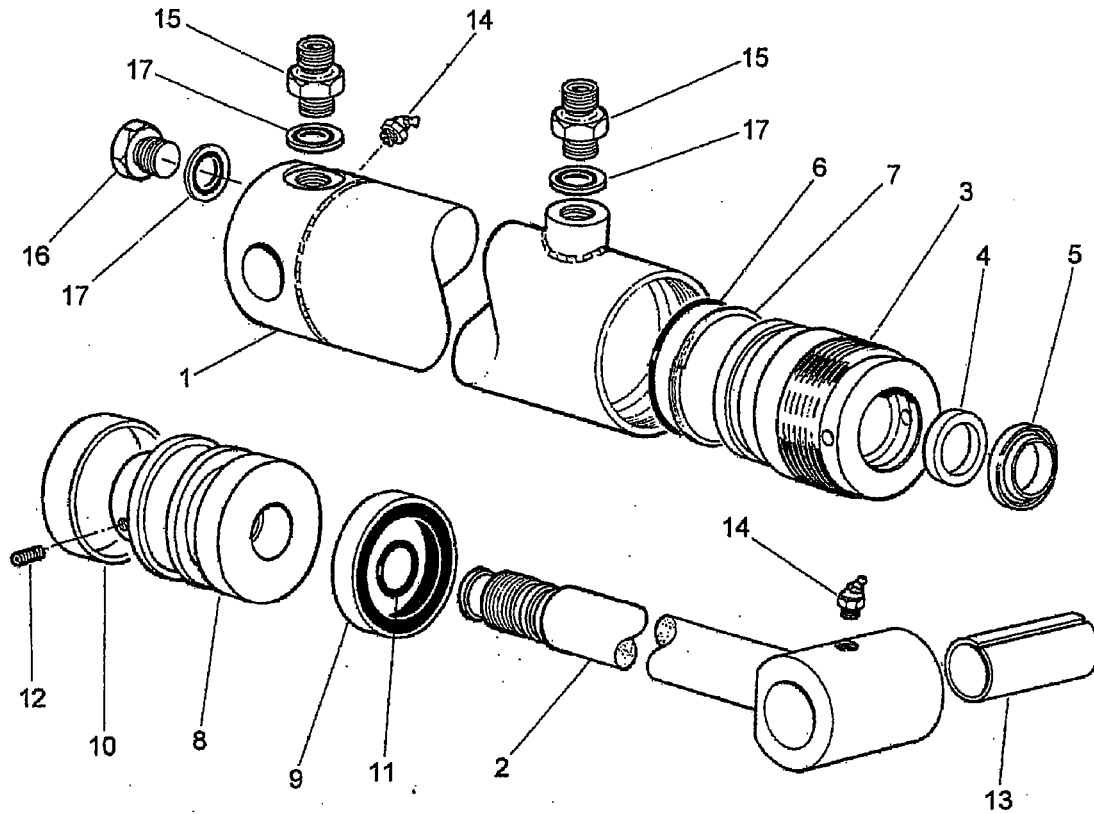



**LIFT FLOAT KIT - Quick Response**

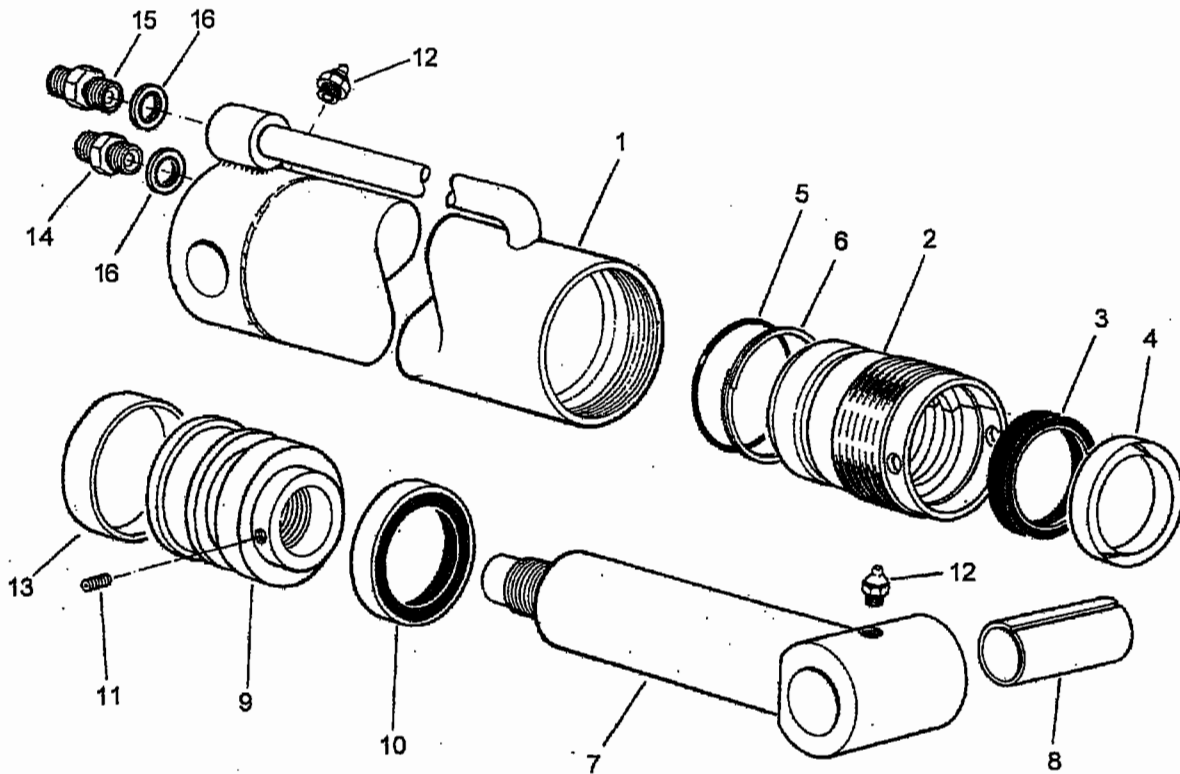
REF.	QTY.	PART No.	DESCRIPTION
		<b>8126291</b>	<b>LIFT FLOAT KIT - Quick Response</b>
1	1	8126042	Accumulator
2	1	G2410380	Adaptor
3	1	8126035	Bulkhead Nut
4	1	8126286	Bracket
5	4	9313054	Setscrew
6	4	9143004	Self Locking Nut
7	1	8650322	Bonded Seal
8	3	8650103	Bonded Seal
9	1	8126287	Control Block
10	1	8126037	Response Piston
11	1	8116011	Spring
12	2	8581115	Adaptor
13	1	1290061	Operating Sticker
14	1	8535012	Hose 1/4" BSP x 12" Long SF/90F
15	1	8130183	Poppet Valve <i>inc:</i>
16	1	8130184	Coil
17	1	8700017	'O' Ring
18	1	8700511	'O' Ring
19	1	8709511	Anti Extrusion Ring
20	2	9100104	Plain Washer
21	1	8126306	Mounting Bracket



**LIFT RAM ASSEMBLY**



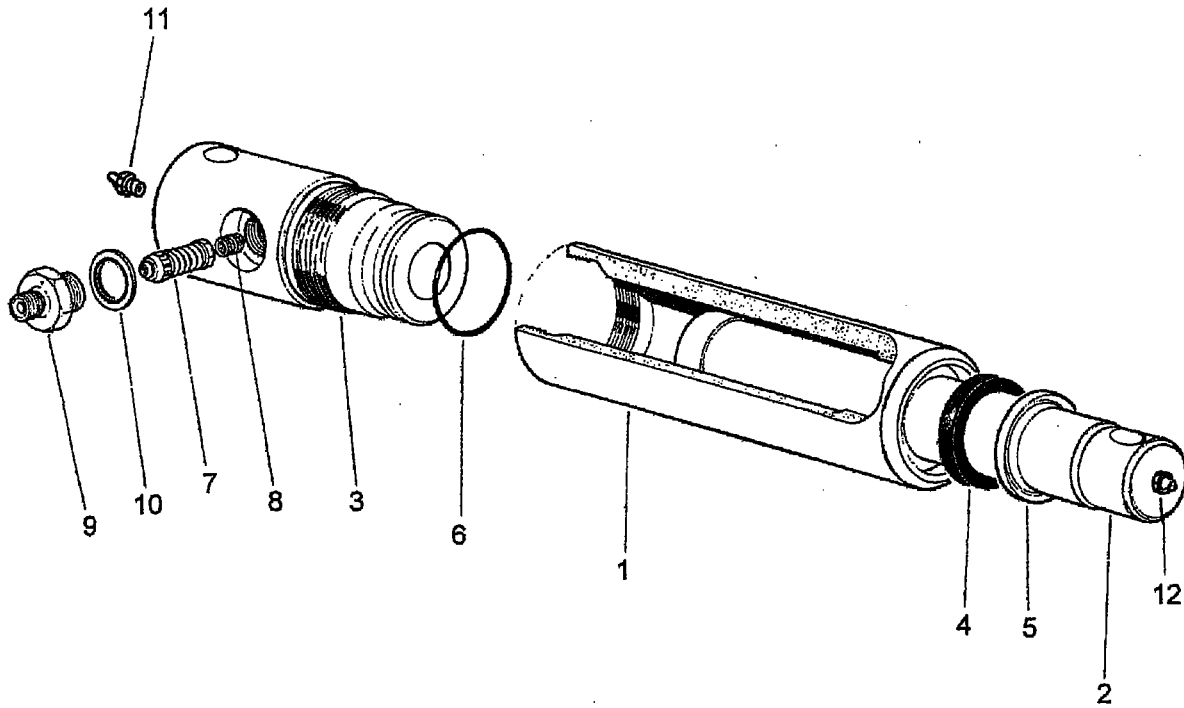
REF.	QTY.	PART No.	DESCRIPTION
		<b>41014.03</b>	<b>LIFT RAM ASSEMBLY</b>
1	1	41034.01	Ram Barrel
2	1	41035.01	Piston Rod
3	1	7120384	Gland Housing
4	1	8629164	Gland Seal
5	1	8629147	Piston Rod Wiper Seal
6	1	8600429	'O' Ring
7	1	8609429	Anti Extrusion Ring
8	1	7120383	Piston
9	1	8629189	Piston Seal
10	1	8629190	Guide Ring
11	1	8600403	'O' Ring
12	1	9363023	Grub Screw
13	1	7105050	Bush
14	2	0901124	Greaser
15	2	03.028.08	Restrictor Union
16	1	8003001	Plug
17	3	8650103	Bonded Seal
		<b>8699228</b>	<b>SEAL KIT</b>


**REACH RAM ASSEMBLY**


REF.	QTY.	PART No.	DESCRIPTION
		<b>41015.03</b>	<b>REACH RAM ASSEMBLY</b>
1	1	41036.01	Ram Barrel
2	1	1186512	Gland Housing
3	1	8629164	Gland Seal
4	1	8629147	Piston Rod Wiper Seal
5	1	8600306	'O' Ring
6	1	8609306	Anti Extrusion Ring
7	1	41037.01	Piston Rod
8	1	7105050	Bush
9	1	7120368	Piston
10	1	8629156	Piston Seal
11	1	9363023	Grub Screw - Socket Headed
12	2	0901121	Greaser - Straight
13	1	8627157	Guide Ring
14	1	8130046	Restrictor Union
15	1	8130066	Restrictor Union
16	2	8650103	Bonded seal
		<b>8699217</b>	<b>SEAL KIT</b>



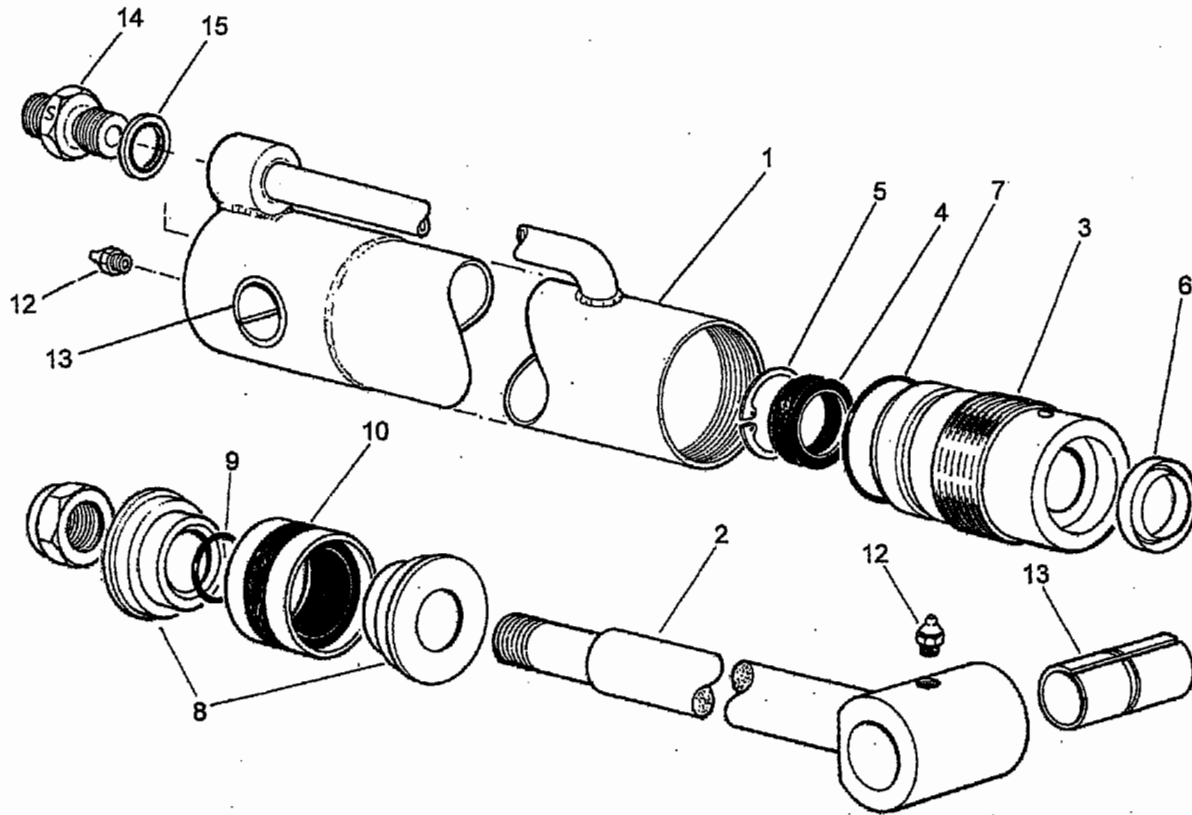
**BREAKAWAY RAM ASSEMBLY**



REF.	QTY.	PART No.	DESCRIPTION
		<b>41322.02</b>	<b>BREAKAWAY RAM ASSEMBLY</b>
1	1	7191308	Ram Barrel
2	1	7191051	Rod
3	1	7191299	Ram Base
4	1	8629158	Rod Seal
5	1	8529152	Wiper Seal
6	1	8600302	'O' Ring
7	1	8130189	Relief Valve
8	1	8116011	Spring
9	1	8130083	Relief Valve Body
10	1	8650104	Bonded Seal
11	2	0901121	Greaser



## ANGLING RAM ASSEMBLY


**McCormel**


REF.	QTY.	PART No.	DESCRIPTION
		<b>7191072</b>	<b>ANGLING RAM ASSEMBLY</b>
			Basic Ram comprising of:
	1	7191295	
1	1	7191296	Cylinder
2	1	1090031	Piston Rod
3	1	1090273	Gland Nut
4	1	8629162	Gland Seal
5	1	0416234	Circlip
6	1	8629161	Wiper Ring
7	1	8600123	'O' Ring
8	2	1090034	Piston
9	1	8600112	'O' Ring
10	1	8629160	Piston seal
11	1	0141007	Self-Locking Nut
12	1	0901121	Greaser
13	2	1090005	Bush
14	2	8130037	Restrictor Union 'S'
15	2	8650102	Bonded Seal

**8699202 SEAL KIT**

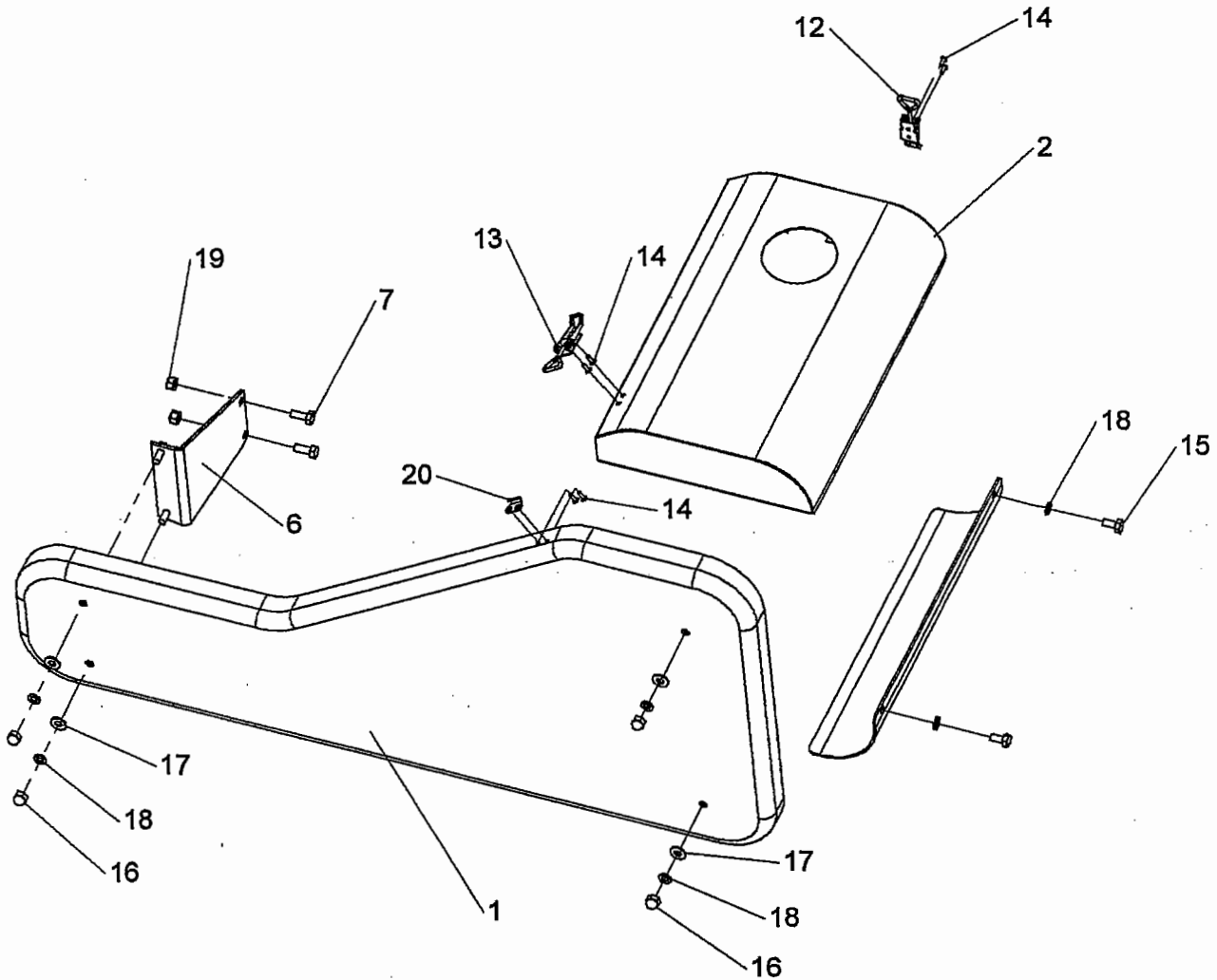
**Assembly Note:** Assemble locknut onto rod using 'Permabond A113' or similar medium strength thread locking compound.



# REAR COVERS ASSEMBLY

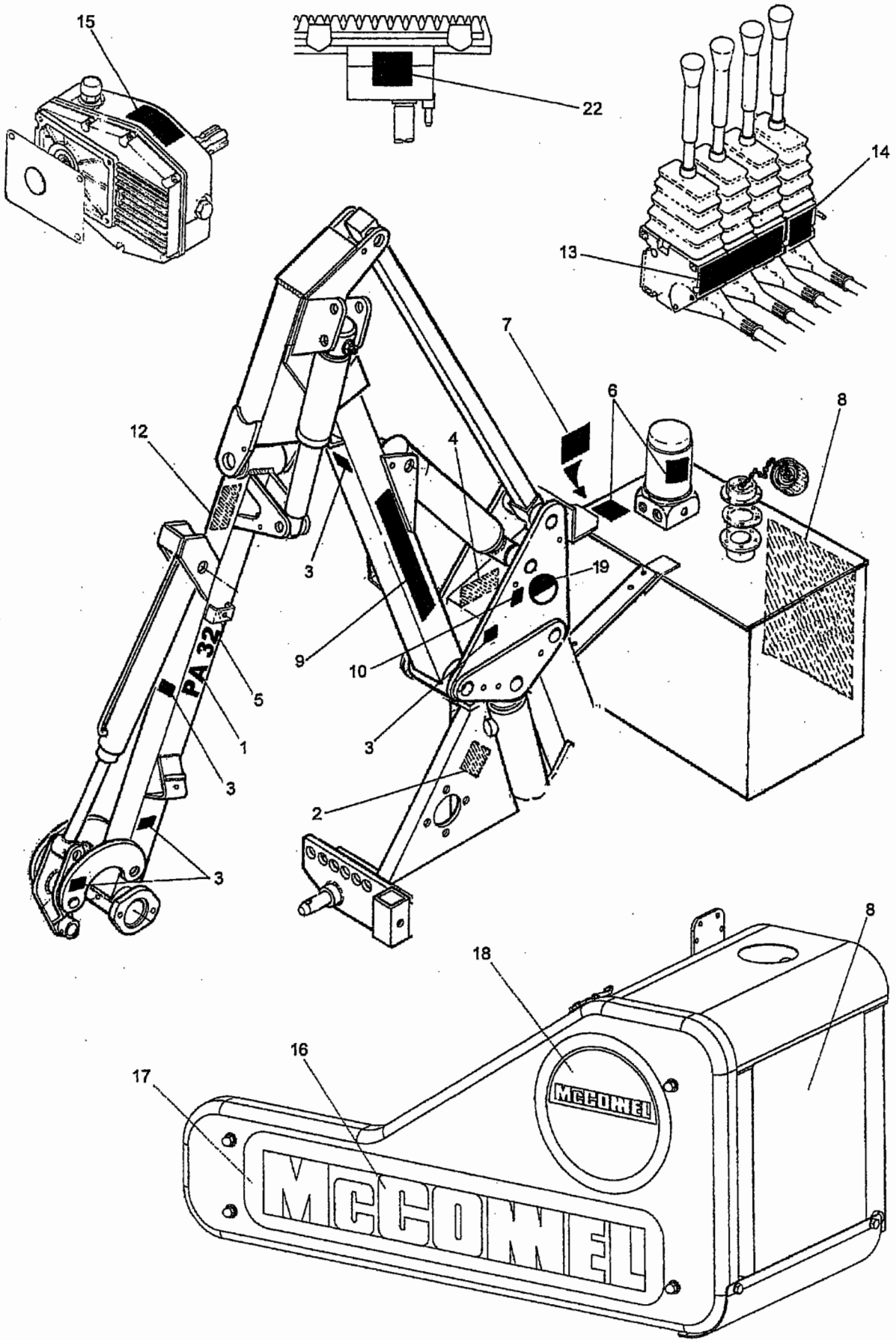
**MODULES:**

- 7490775 - L/H BUILD
- 7490776 - R/H BUILD



**REAR COVERS ASSEMBLY**

REF.	QTY.	PART No.	DESCRIPTION
		7490775	REAR COVERS ASSEMBLY - L/H BUILD
		7490776	REAR COVERS ASSEMBLY - R/H BUILD
1	1	45629.01	Rear Cover - L/H
	1	45629.02	Rear Cover - R/H
2	1	45633.01	Tank Cover - L/H
	1	45633.02	Tank Cover - R/H
3	1	45636.02	Support Bracket - L/H
	1	45636.04	Support Bracket - R/H
4	1	45638.01	Fairing - Tank
5	2	43449.02	Overcentre Fastener
6	6	1069088	Pop Rivet
7	2	9313055	Setscrew
8	2	9313045	Setscrew
9	4	9100025	Dome Nut
10	4	9100105	Flat washer
11	6	9100205	Spring Washer
12	2	9143005	Self Locking Nut
13	1	46007.01	Hook - Overcentre Fastener



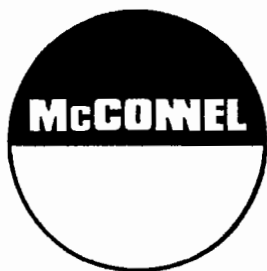


# MACHINE DECALS

REF.	QTY.	PART No.	DESCRIPTION
			<b>MACHINE DECALS</b>
1	2	1290453	PA - Black
2	1	7105130	Read Instruction Manual
3	5	02962764	Pinch Point
4	1	7135295	Tighten Check Chains
5	2	1290552	32 - Black
6	1	1290023	Oil Filter Instruction
7	1	00756494	PTO Fitting/Warning
8	1	1290391	General Safety
9	2	1290255	McConnel
10	1	1290074	Sling Here
11	1	1290352	General Warning ( <i>Supplied loose for cab location</i> )
12	1	1290403	Breakaway Warning
13	1	1290368	Arm Controls
14	1	1290338	Rotor Controls/Cutterbar ON/OFF - <i>Ti only</i>
15	1	1290030	Gearbox Oil Instructions
16	1	1290527	McConnel - Large Black
17	1	1290553	Backing Panel - Yellow
18	1	1290554	McConnel Roundel - Yellow
19	1	1290296	Logo
20	1	1335246	Serial No. Plate
21	4	7103230	Pop Rivets
22	1	1290078	Warning - Danger to fingers







McConnel Limited, Temeside Works, Ludlow, Shropshire SY8 1JL. England.  
Telephone: 01584 873131. Facsimile: 01584 876463. [www.mcconnel.com](http://www.mcconnel.com)