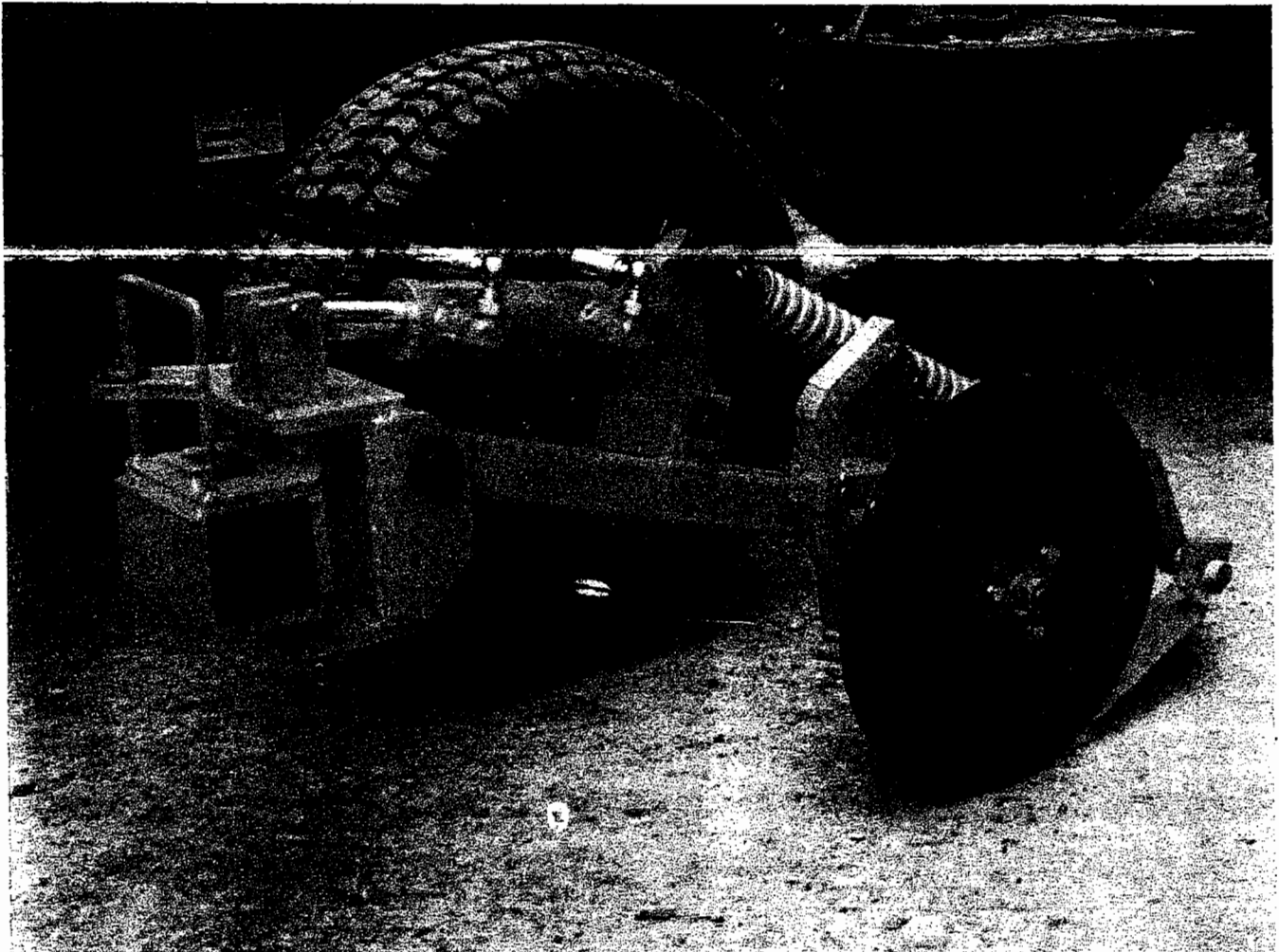
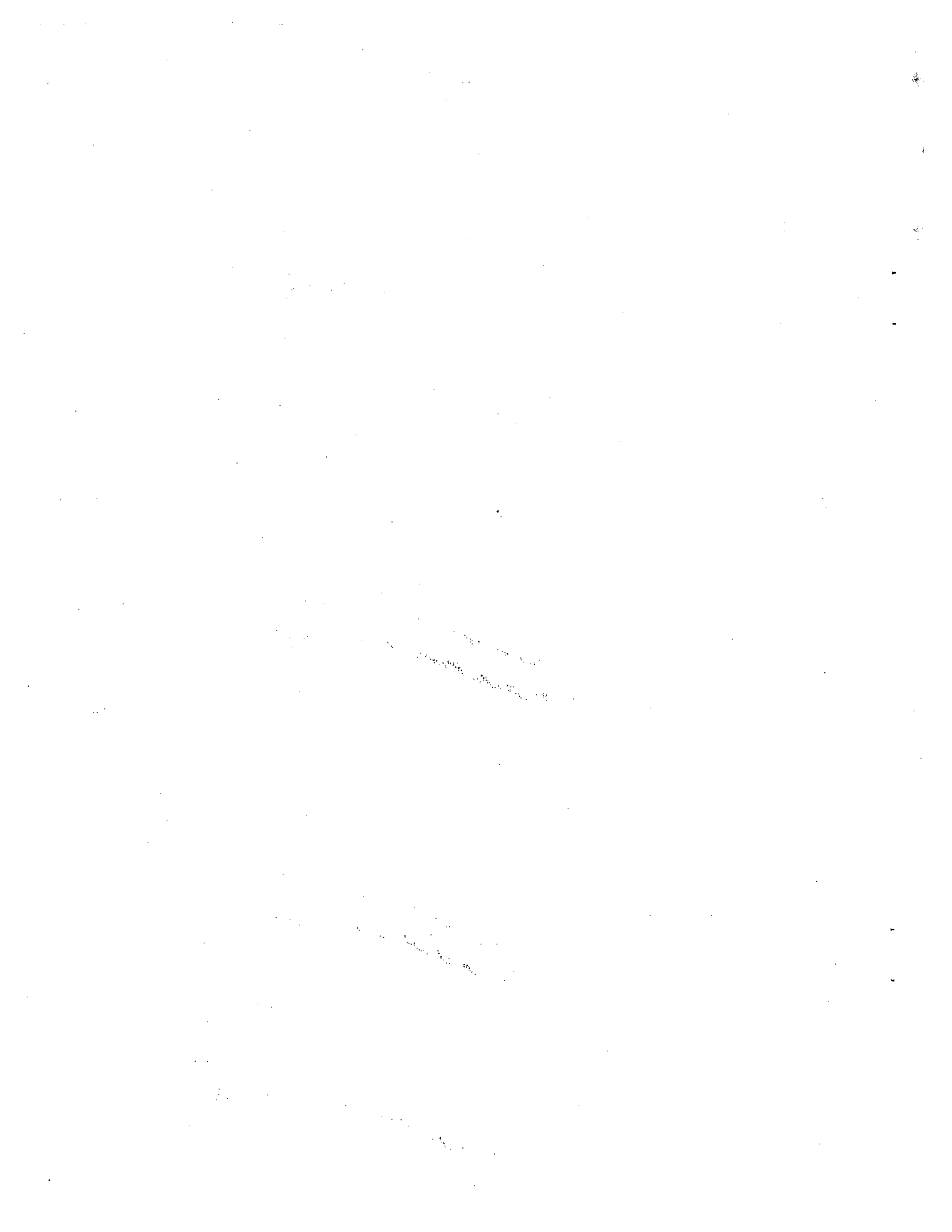


EZI-EDGER

Operation & Spares manual





EC DECLARATION OF CONFORMITY
conforming to EEC Directive 89/392/EEC

We,

McCONNEL LIMITED, Temeside Works, Ludlow,
Shropshire, SY8 1JL

declare under our sole responsibility that

the product (type) .. EZI-EDGER

Product Code .. EZIE

Serial No. & Date

Type

Manufactured by the above Company/*

(*insert business name and full address if not stated above)

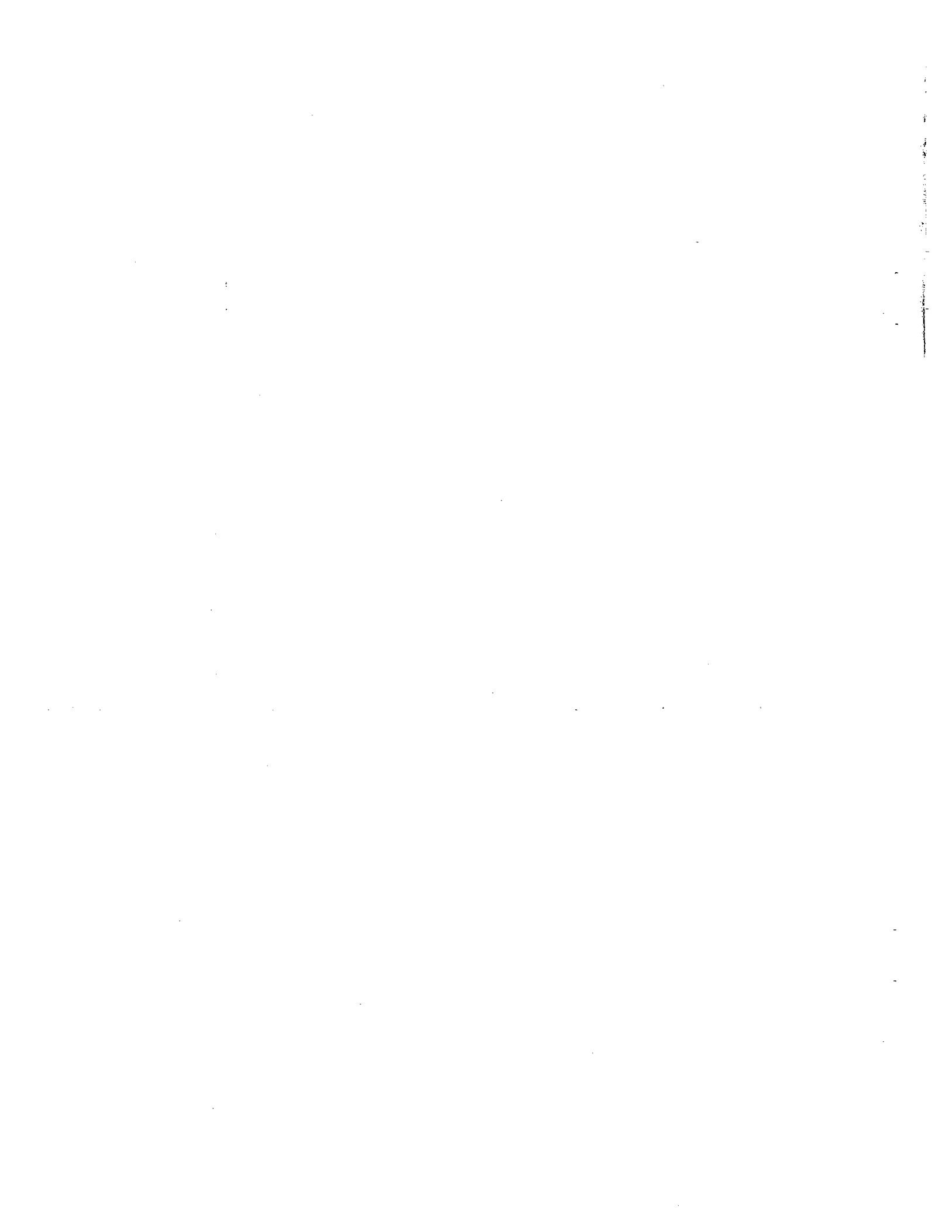
complies with the required provisions of the Directive 89/392/EEC,
and AMD 91/368/EEC, AMD 93/44/EEC, AMD 93/68/EEC and
conforms with European Norm. BS EN 292

Part 1:1991 Safety of Machinery - Terminology, methodology
Part 2:1991 Safety of Machinery - Technical specifications

and other national standards associated with its design and
construction as listed in the Technical File.

Signed .. A. Davies ..
on behalf of McCONNEL LIMITED Responsible Person

Status. DIRECTOR OF ENGINEERING Date .. 8.12.94



GENERAL INFORMATION

Read this manual before fitting or operating the machine. If in doubt contact your dealer or the McConnel Service Department for assistance.

Use only McConnel spare parts on McConnel equipment and machines. Refer to the parts section before ordering spares.

DEFINITION

The following definitions apply throughout this manual:

WARNING

An operating procedure, technique etc., which can result in personal injury or loss of life if not observed carefully.

CAUTION

An operating procedure, technique etc., which can result in the damage of either machine or equipment if not observed carefully.

NOTE An operating procedure, technique etc., which is considered essential to emphasise.

LEFT AND RIGHT-HAND

This term is applicable to the machine when fitted to the tractor and viewed from the rear. This also applies to tractor references.

Record the serial number of your machine on this page and always quote this number when ordering spares. Whenever information concerning the machine is requested remember to also state the type of tractor to which it is fitted.

MACHINE
SERIAL
NUMBER

INSTALLATION
DATE

MODEL
DETAILS

DEALERS
NAME

DEALERS
TELEPHONE
NUMBER

READ THE BOOK FIRST

It might save hours and pounds later

**When ordering spare parts always
quote the machine type and serial
number as well as the part number**

**Factory re-built service exchange
units of the major hydraulic components
are available from your dealer**

FITTING

Tractor Selection.

The tractor must be equipped with a front weight carrying bar and a double acting auxiliary oil supply.

Attachment to tractor

Hook the mounting bracket over the weight carrier bar and secure using clamp nuts and bolts.

Assemble the carrier bar. There are three positions for height adjustment. Select the position which gives approximately 15 ins (375mm) ground clearance beneath the bar. Do not tighten the nuts fully at this stage.

Remove the mounting and transport pins from the Ezi Edger.

Slide the Ezi Edger onto the mounting bar. It may be necessary to connect up the hydraulics at this point (see later) to adjust the ram and facilitate fitting. Secure in position with the mounting pin through the end hole in the mounting bar.

Turn tractors wheel to full lock.

Insert the transport pin.

Slide the mounting bar horizontally to give a minimum clearance of 1" (25mm) between the tyre and the Ezi edger beam.

Tighten mounting bar clamps.

Connect up the hydraulics to the double acting auxiliary service. It will be necessary to add extension hoses and self seal couplings. Route the hoses carefully ensuring that they are not stretched, chafed or kinked during any operation of the tractor or Ezi Edger.

OPERATION

Remove transport pin and the disc locking pin, this allows the disc to automatically follow the kerb compensating for steering variations.

Align disc with kerb edge and using the controls lower the disc until the depth shroud engages the kerb.

The main spring will allow the disc to lift if an obstacle is engaged. The spring pressure is factory set and should not be adjusted.

Adjust your forward speed to allow the disc time to cut. Too fast and the disc will bounce leaving uncut areas.

The spring loaded scraper should be adjusted such that it skims the kerb clearing the cut vegetation.

When operating on paths without a kerb to guide the disc the transport and disc locking pins are re-engaged. The line of cut is dictated by the tractor steering.

TRANSPORT

Raise the disc to its full height

Engage the transport pin.

STORAGE

Coat exposed areas of the ram rod with grease.

Secure hose ends clear of the ground and cover ends with dust caps.

REMOVAL FROM TRACTOR

Ensure disc is in the raised position.

Disconnect hoses.

Slacken the mounting bar clamps.

Withdraw mounting bar together with Ezi Edger.

The mounting bracket may be left permanently on the tractor.

SPARE PARTS MANUAL

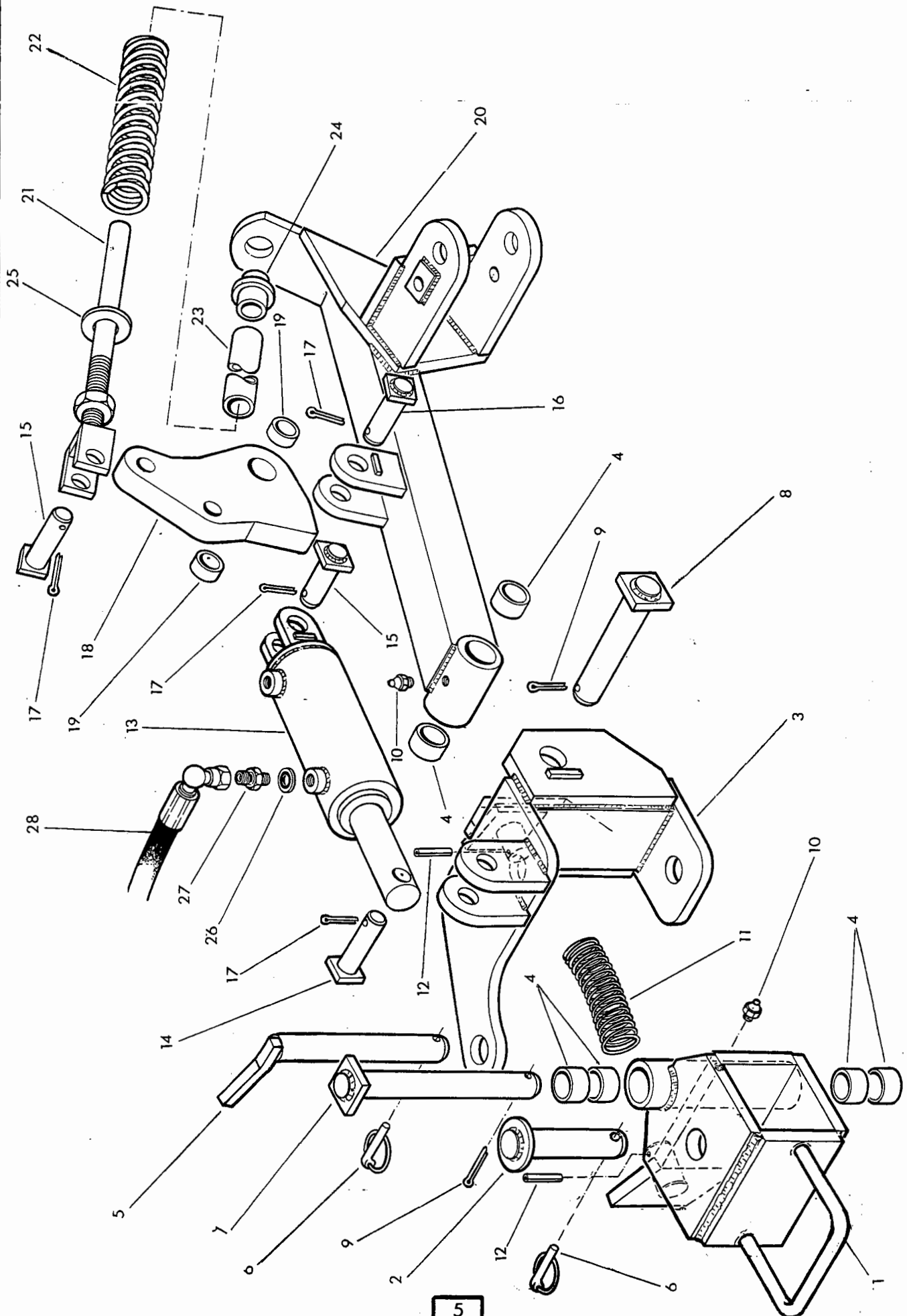
FOR BEST PERFORMANCE....

USE ONLY McCONNEL SPARE PARTS

To be assured of the latest design improvements purchase your genuine replacements from the original equipment manufacturer **McConnel Ltd.** through your local dealer or stockist.

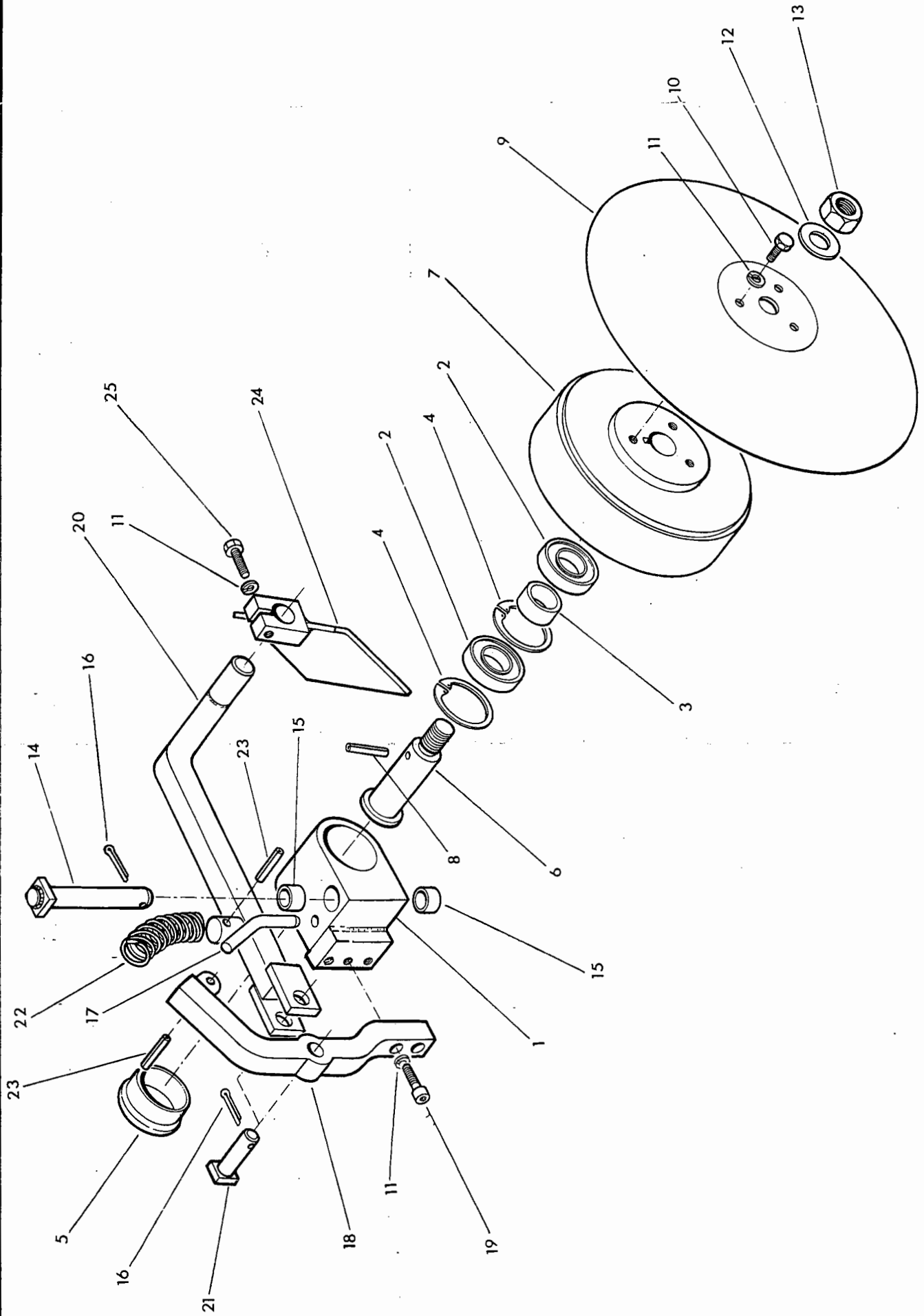
Always quote machine type and serial number as well as the part number.

Design improvement may have altered some of the parts listed in this manual - The latest part will always be supplied when it is interchangeable with an earlier one.



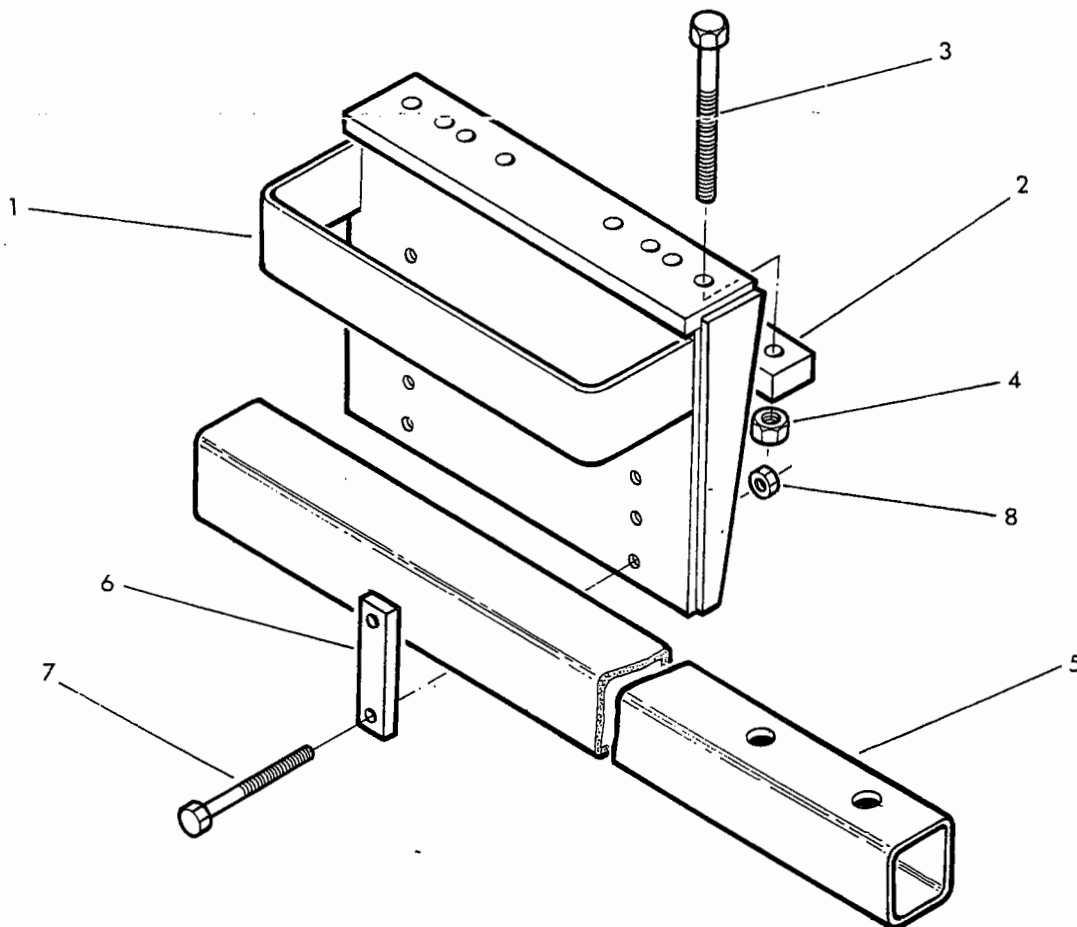


Ref	Part No.	Qty	Description
EZI EDGER BODY			
1	12 70 274	1	Swivel mounting bracket
2	12 70 303	1	Mounting pin
3	12 70 272	1	Pivot block L.hand
	12 70 271	1	Pivot block R.hand not illus.
4	12 70 091	6	Bush
5	12 70 081	1	Locking pin
6	04 31 217	2	Linch pin
7	12 70 314	1	Pivot pin
8	12 70 035	1	Pin - Beam pivot
9	95 01 406	2	Split pin
10	09 01 121	2	Greaser - straight
11	12 70 062	1	Spring
12	04 25 525	2	Spring dowel
13	12 70 277	1	Ram assembly
14	12 70 068	1	Pin - Ram rod
15	12 70 057	2	Pin - Ram rod/Spring clevis
16	12 70 065	1	Pin - pressure tongue
17	95 01 326	4	Split pin
18	12 70 309	1	Pressure tongue
19	60 01 216	2	Bush
20	12 70 336	1	Main beam L.hand
	12 70 335	1	Main beam R.hand not illus.
21	12 70 310	1	Push rod c/w nut
22	12 70 061	1	Spring
23	12 70 059	1	Compression stop tube
24	12 70 060	1	Spring location
25	91 00 108	1	Plain washer
26	86 50 103	2	Bonded seal
27	60 00 113	2	Union
28	85 31 323	2	Hose 3/8 BSP x 80" long SF-90F





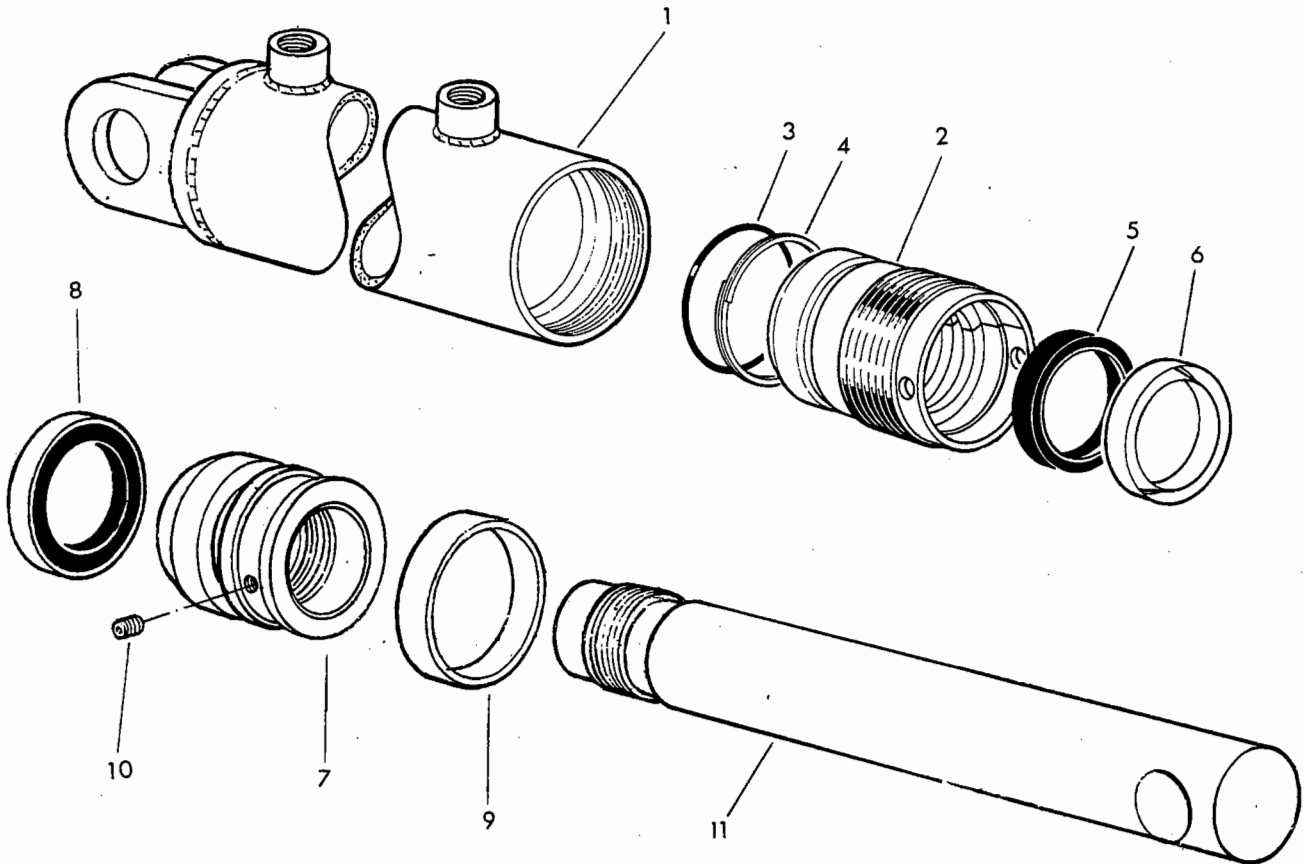
Ref	Part No.	Qty	Description
HUB ASSEMBLY			
1	12 70 334	1	Bearing housing
2	06 00 100	2	Bearing
3	12 70 094	1	Bearing spacer
4	04 11 262	2	Internal circlip
5	0075 6492	1	Dust cover
6	12 70 098	1	Stub axle
7	12 70 328	1	Depth shroud
8	04 21 810	1	Spring dowel
9	12 70 099	1	Cutting disc
10	93 13 054	3	Set screw
11	91 00 204	6	Spring washer
12	91 00 108	1	Plain washer
13	01 51 007	1	Self locking nut
14	12 70 086	1	Hub pivot pin
15	12 70 088	2	Bush
16	95 01 326	2	Split pin
17	12 70 103	1	Pin - Hub locking
18	12 70 326	1	Support bracket
19	93 43 054	2	Capscrew
20	12 70 327	1	Scraper arm L.hand
	12 70 321	1	Scraper arm R.hand not illus.
21	12 70 057	1	Pin
22	12 70 062	1	Spring
23	04 25 525	2	Spring dowel
24	12 70 332	1	Scraper L.hand
	12 70 324	1	Scraper R.hand not illus.
25	93 13 084	1	Setscrew



Ref	Part No.	Qty	Description
-----	----------	-----	-------------

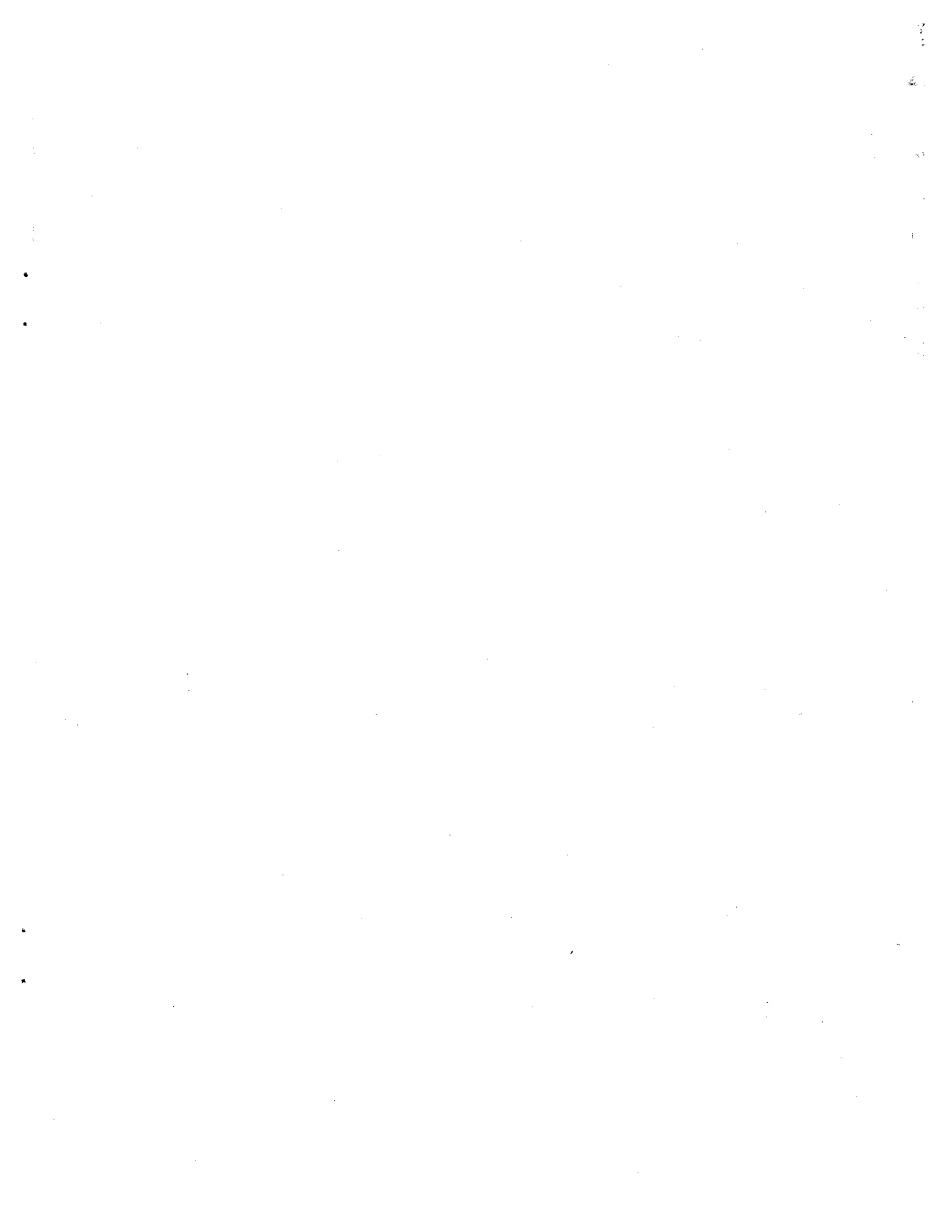
CARRIER ASSEMBLY

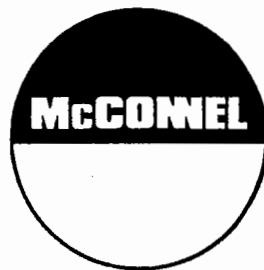
1	12 70 337	1	Mounting bracket
2	12 70 252	1	Clamp
3	02 11 566	2	Bolt
4	01 41 006	2	Self locking nut
5	12 70 107	1	Carrier bar
6	12 70 089	2	Clamp
7	05 253 25	4	Bolt
8	01 41 005	4	Self locking nut



Ref	Part No.	Qty	Description
	12 70 277		RAM ASSEMBLY
1	12 70 316	1	Ram Barrel
2	12 70 078	1	Gland housing
3	86 00 302	1	O ring
4	86 09 302	1	Anti extrusion ring
5	86 29 201	1	Gland seal
6	86 29 149	1	Wiper seal
7	12 70 077	1	Piston
8	86 29 187	1	Piston seal
9	86 29 188	1	Bearing ring
10	93 00 110	1	Grubscrew
11	12 70 315	1	Piston rod
	86 99 244		SEAL KIT







McConnel Limited, Temeside Works, Ludlow, Shropshire SY8 1JL. England.
Telephone: 01584 873131. Facsimile: 01584 876463. www.mcconnel.com