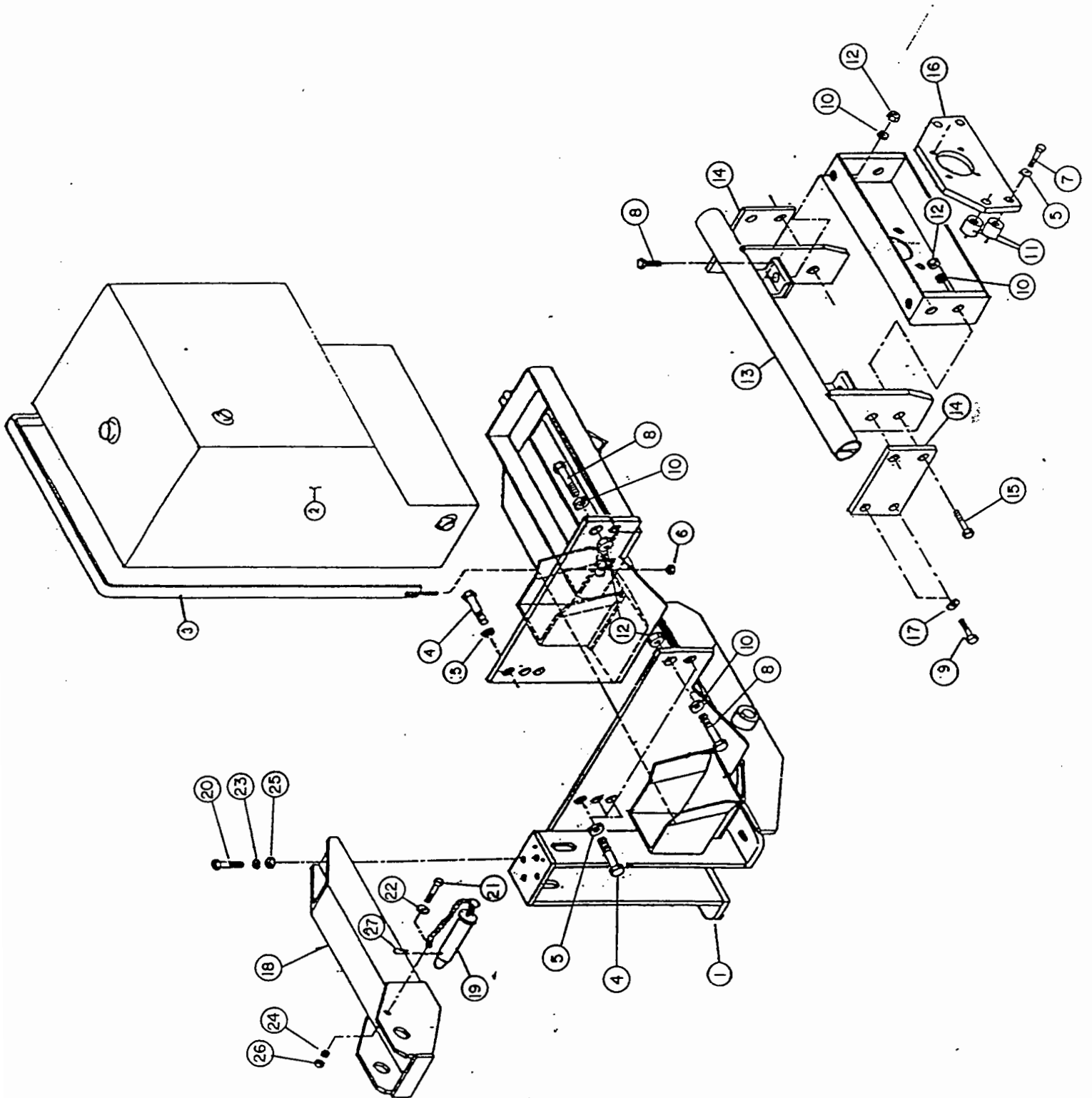


**102" PUSH TYPE FRONT FLAIL,
SIDE FLAIL / LOADER
JOHN DEERE 6200 - 6400, 4WD, CAB
HIGH PRESSURE**

Main Frame Assembly	PB80582
Front Frame Mounting	PB80583
Deck Feedline Assembly	PB80584
Lift Control Feedline Assembly	PB80585
Cable Control Assembly	PB80586
Cooler Mounting & Assembly	PB80484
102" Cutter Assembly / Caster Wheel	PB80587
Drive Assembly	PB80043
Front Tandem Pump	PB80124
Mower Motor	PB80026
In-Tank Filter	PB80028
Switch Wiring	PB80118
Lift Cylinder	PB80539
Lift Cylinder	PB80589

Current As Of: 08-25-95

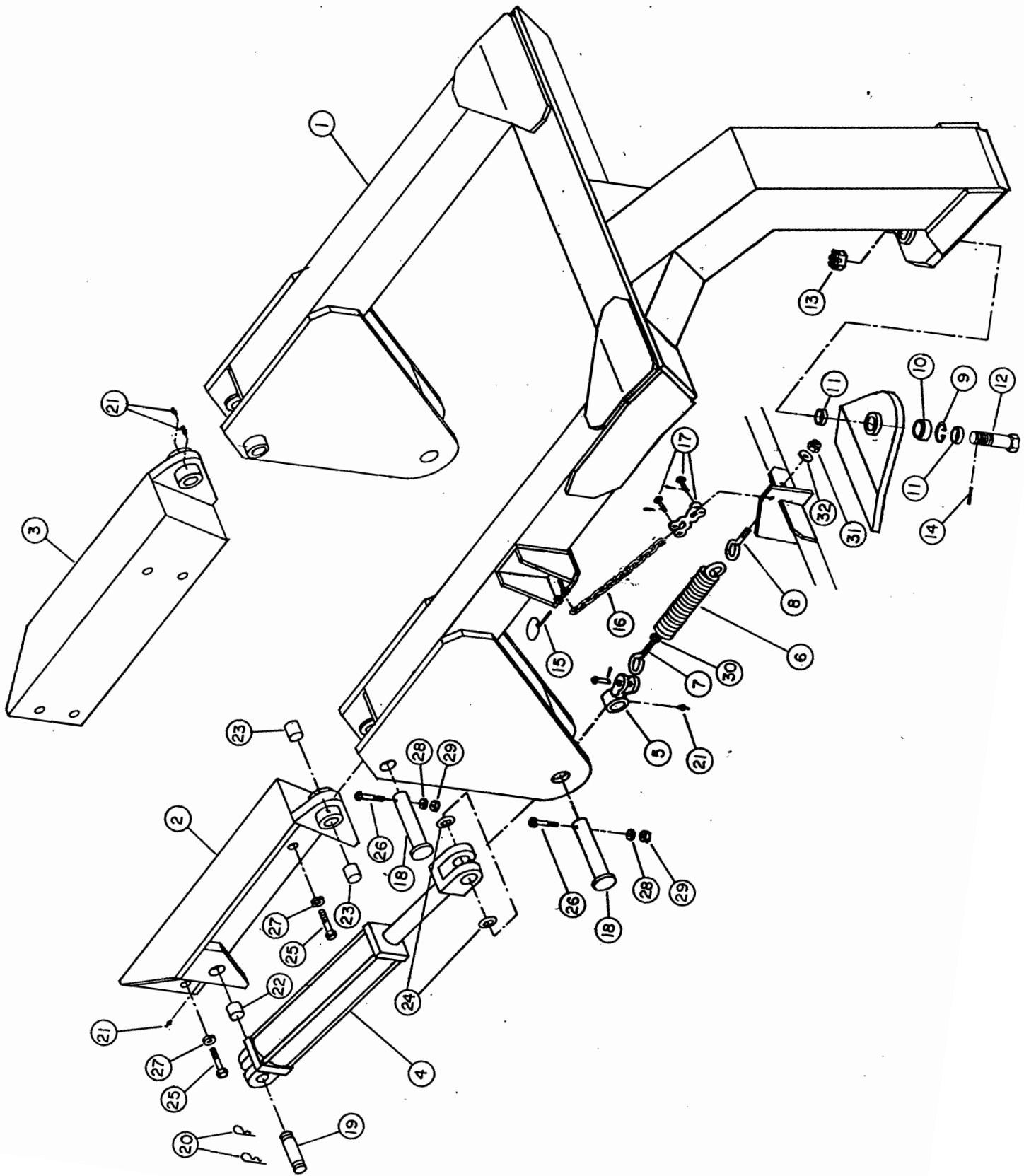
PB:30560



**MAIN FRAME ASSEMBLY
JOHN DEERE 6200 - 6400
LOADER WITH FRONT FLAIL OPTION
4WD, CAB**

REF. NO.	PARTS DESCRIPTION	NO. REQ.	PART NO.
1	MAIN FRAME	1	30088A
2	RESERVOIR TANK	REF.	*
3	RESERVOIR TANK STRAP	1	28191
4	CAPSCREW 20MM x 50MM (2.5 PITCH)	8	27512
5	LOCKWASHER, 20MM	12	24881
6	NYLOCK NUT, 3/8" NC	2	21627
7	CAPSCREW, 20MM x 80MM (2.5 PITCH)	4	28399
+8	CAPSCREW, 3/4" x 2-1/4" NC	4	21833
9	CAPSCREW, 16MM x 65MM (2.0 PITCH)	4	6T2530
+10	LOCKWASHER, 3/4"	8	21993
11	SPACER	4	30091A
+12	HEX NUT, 3/4" NC	8	21825
13	LOADER CARRIER BRACKET	1	30488A
14	MOUNTING PLATE	2	30530
15	CAPSCREW, 3/4" x 3" NC	4	21836
16	PUMP MOUNTING BRACKET	1	30090B
17	LOCKWASHER, 16MM	4	6T2625
18	TRAVEL LOCK BRACKET	1	30119
19	TRAVEL LOCK PIN W/CHAIN	1	TF4250
20	CAPSCREW, 5/8" x 2" NC	2	21783
21	CAPSCREW, 5/16" x 1-1/4" NC	1	21581
22	FLATWASHER, 5/16"	1	22015
23	LOCKWASHER, 5/8"	2	21992
24	LOCKWASHER, 5/16"	1	21987
25	HEX NUT, 5/8" NC	2	21775
26	HEX NUT, 5/16" NC	1	21575
27	R-CLIP	1	6T3003

* Refer To Deck Feedline Assembly For Reservoir Tank Information
+ Depending On The Tractor, The Main Frame Capscrews Items 8, 10 & 12
May Need To Be Replaced By Items 4 & 5



21-84

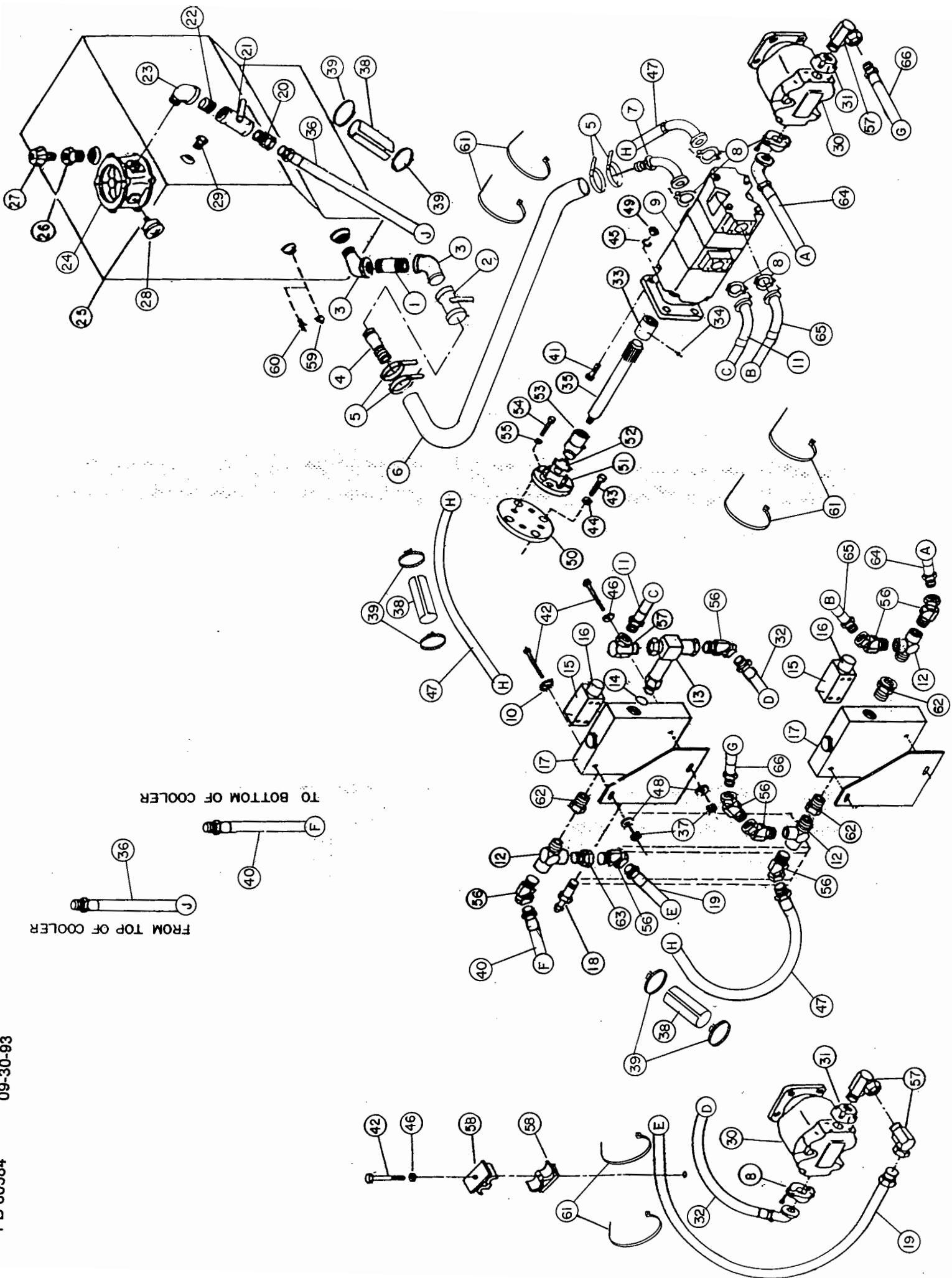
FRONT FLAIL MOUNTING ASSEMBLY

REF. NO.	PARTS DESCRIPTION	NO. REQ.	PART NO.
1	PUSH FRAME, 6" OFFSET	1	30516
2	RIGHT MOUNTING BRACKET	1	30517
3	LEFT MOUNTING BRACKET	1	30518
4	CYLINDER, 3 x 8"	2	30481
5	ROTATING CLEVIS (INCLUDES PINS)	2	30521
6	EXTENSION SPRING	2	30532
7	EYE BOLT, 1/2" x 4" NC	2	30533
8	SHOULDER EYEBOLT, 1/2" x 1-1/2" NC	2	30534
9	SNAP RING	1	30535
10	SPHERICAL BEARING, 1" (HD)	1	30536
11	SPACER, 1 1/4" O.D. x 1" I.D. x 1/2"	2	30537
12	CAPSCREW, 1" x 4-1/2" NC WITH 1/4" HOLE	1	30539
13	SLOTTED NUT, 1" NC	1	30538
14	ROLL PIN, 1/4" x 1-3/4"	1	6T3013
15	LYNCH PIN, 1/4" x 2"	2	RD1032
16	LIFT CHAIN, 5/16" x 29 LINKS	2	30540

REF. NO.	PARTS DESCRIPTION	NO. REQ.	PART NO.
17	CHAIN CLEVIS, 3/8" (INCLUDES PINS)	2	30564
18	PIN, 1" x 5"	4	TF4519
19	PIN, 1" X 3-1/2"	2	6T3003
20	R-CLIP (HAIRPIN - COTTER, 3/16")	4	6T3004
21	GREASE ZERK, 1/4" STR.	8	6T3207
22	BUSHING, 1-1/4" O.D. x 1" I.D. x 1"	2	TB3010
23	BUSHING, DX 1" I.D. x 1"	4	30759
24	MACHINE BUSHING 1-1/2" O.D. x 1" I.D. x 18 GA	4	27935
25	CAPSCREW, 16MM x 65MM (2.0 PITCH)	8	6T2530
26	CAPSCREW, 3/8" x 2-1/4" NC	4	21635
27	LOCKWASHER, 16MM	8	6T2625
28	LOCKWASHER, 3/8"	4	21988
29	HEX NUT, 3/8" NC	4	21625
30	HEX NUT, 1/2" NC	2	21725
31	NYLOCK NUT, 1/2" NC	2	21727
32	FLATWASHER, 1/2"	2	22018

PB 80583

01-21-94

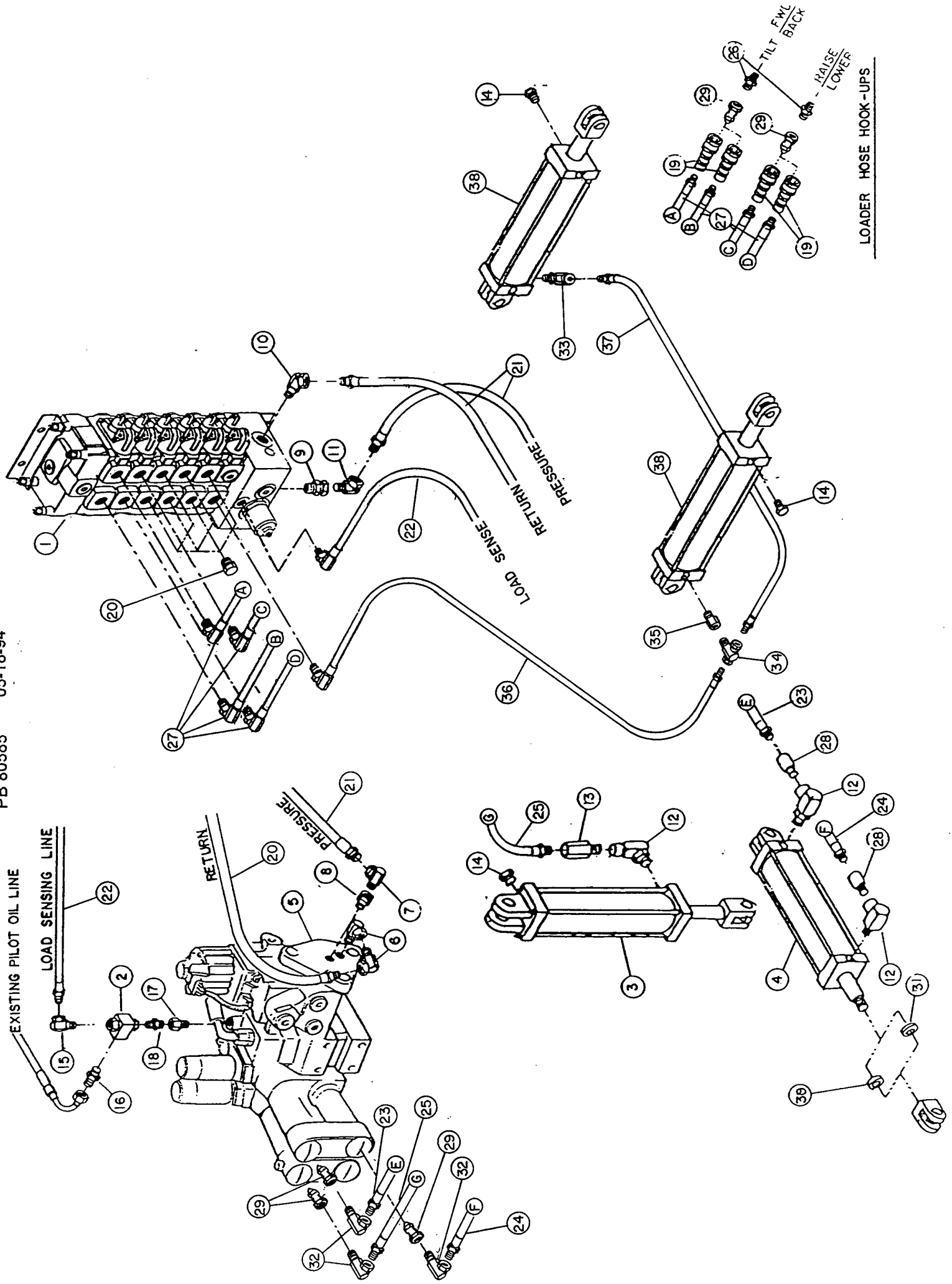


**SIDE FLAIL MOWER/LOADER, FRONT FLAIL, DECK FEEDLINE ASSEMBLY
JOHN DEERE 6200 - 6400, 4WD, CAB, HIGH PRESSURE**

REF. NO.	PARTS DESCRIPTION	NO. REQ.	PART NO.	REF. NO.	PARTS DESCRIPTION	NO. REQ.	PART NO.
1	NIPPLE, 1-1/2" x 4"	1	6T3808	35	PUMP DRIVE SHAFT (23-3/8")	1	30129
2	1-1/2" BALL VALVE	1	6T4238	36	HOSE, 1" x 150" (MP - MP) (J)	1	27454
3	ST. EL. 1-1/2" 90°	2	6T3612	37	HEX NUT 3/8"	4	21625
4	KING NIPPLE, 1-1/2"	1	6T3800	38	SPLIT HOSE	3	6T3200
5	BANDIT CLAMP	4	6T3018	39	HOSE CLAMP	6	23568
6	SUCTION HOSE 1-1/2"	70"	22897	40	HOSE, 1" x 127" (MP - MP) (F)	1	25325
7	KING NIPPLE #20 FLNG. 45°	1	22631	41	CAPSCREW 1/2" x 2" NC	4	21733
8	FLANGE KIT #20	6	TF4852	42	CAPSCREW 3/8" x 3" NC	5	21638
9	TANDUM PUMP (P350, 1-3/4", 1-1/2")	1	22679	43	CAPSCREW 14mm x 40mm (2.0 PITCH)	4	6T2514
10	STAR LOCKWASHER 3/8"	2	6T2662	44	LOCKWASHER 14mm	4	6T2624
11	HOSE 1" x 55" (1" MP x 20 FLNG 45°) (C)	1	23566	45	LOCKWASHER 1/2"	4	21990
12	TEE, 1" MP x 1" FP x 1" FP	3	TF4862	46	LOCKWASHER 3/8"	3	21988
13	PREFORMED TEE HP	1	24030	47	HOSE, 1" x 106" (MP - MP) (H)	1	24021
14	O-RING	1	6T3904A	48	FLAT WASHER 3/8"	4	22016
	SOLENOID VALVE ASSY	AVAIL.	27360	49	HEX NUT 1/2"	4	21725
15	SOLENOID BLOCK	2	6T3907	50	CRANKSHAFT ADAPTER PLATE	1	28653
16	SOLENOID CARTRIDGE	2	6T3906		CRANKSHAFT ADAPTER ASSY	AVAIL.	24983
17	SOLENOID BODY	2	27398	51	YOKE ADAPTER PLATE	1	24984
18	RELIEF VALVE (3400 PSI)	2	6T3910	52	BEARING U-JOINT KIT	1	24975
19	HOSE 1" x 90" (MP - MP) (E)	1	22858	53	YOKE WITH THREAD INSERT	1	24974
20	SWIVEL 1-1/4" MP - 1" FPX	1	22890	54	CAPSCREW, 5/16" x 1" NC	4	21580
21	1-1/4" BALL VALVE	1	6T4237	55	LOCKWASHER, 5/16"	4	21987
22	CLOSE NIP 1-1/4" XHD	1	6T3825	56	SWIVEL, 1" MP x 1" FPX 45°	8	TF4869
23	ST. EL. 1-1/4" x 90° XHD	1	6T3601	57	SWIVEL, 1" MP x 1" FPX 90°	4	TF4870
	RESERVOIR TANK ASSY (4WD)	AVAIL.	28193	58	DOUBLE TUBE CLAMP	2	TB3031
24	IN-TANK FILTER ASSEMBLY	1	6T0640	59	PIPE PLUG 1/8"	1	6T4197
25	RESERVOIR TANK (4WD)	1	28192B	60	TEMP SENDING UNIT	OPT.	6T3931
26	BUSHING 1/2" x 2"	1	6T4231	61	ZIP TIE, 14"	AS REQ'D	6T1823
27	RESERVOIR TANK BREATHER	1	6T1200N	62	ADAPTER, 1-1/4" OR x 1" FP	3	TF4872
28	PRESSURE GAUGE	1	6T0649	63	SWIVEL, 1" MP x 1" FPX	1	TF4868
29	TANK SIGHT GLASS	1	6T1209	64	HOSE, 1" x 152" (MP - 20 FLG 90°) (A)	1	28288
30	MOTOR (M350, 1-3/4" GEAR)	2	23174	65	HOSE, 1" x 70" (MP - 20 FLG 90°) (B)	1	23880
31	ADAPTER BLOCK, 20 FLNG - 1" NPT	2	TF4850	66	HOSE, 1" x 164" (MP - MP) (G)	1	28436
32	HOSE 1" x 90" (MP - 20 FLNG 45°) (D)	1	30405				
	COUPLING ASSEMBLY	AVAIL.	30270				
33	SPLINE COUPLING	1	6T0375				
34	GREASE ZERK 1/4" STRAIGHT	1	6T3207				

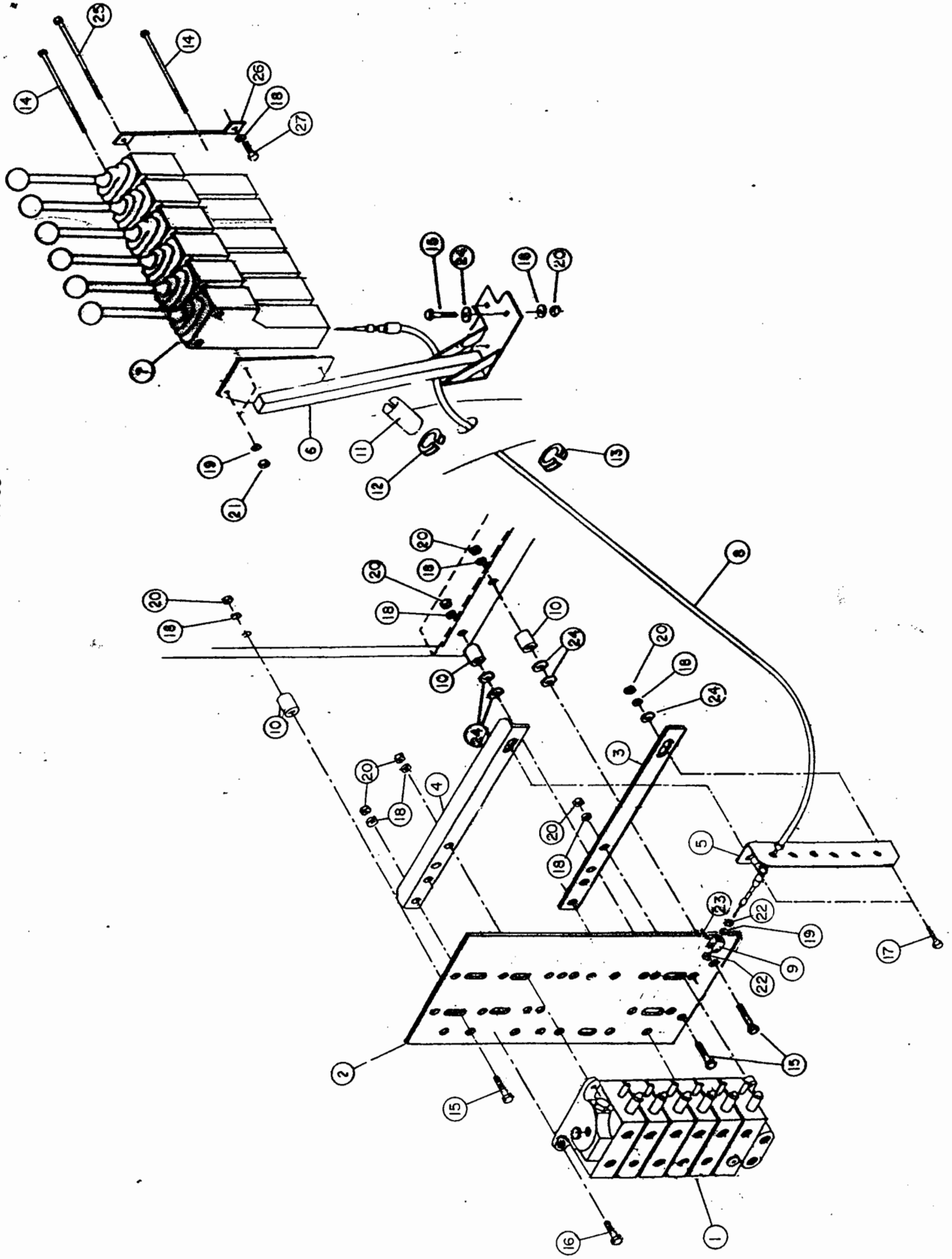
EXISTING PILOT OIL LINE

LOAD SENSING LINE



**LOADER / SIDE FLAIL MOWER
LIFT CONTROL FEEDLINE ASSEMBLY
JOHN DEERE, 6200 - 6400, CAB, 4WD, HIGH PRESSURE**

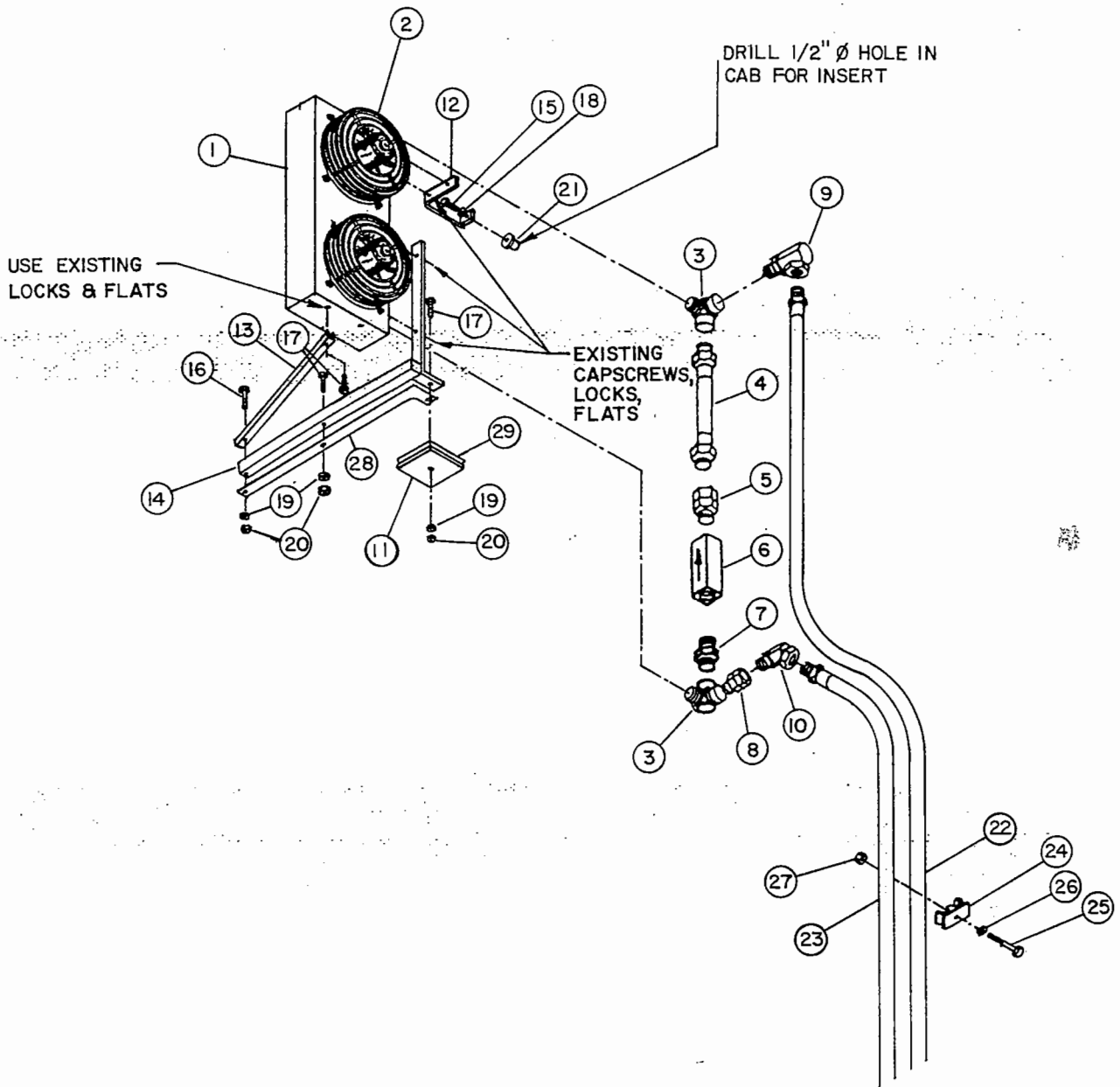
REF. NO.	PARTS DESCRIPTION	NO. REQ.	PART NO.
1	6-SPOOL VALVE, HV07 (TRB)	1	30035
2	TEE, SHUTTLE, 1/4" FP x 1/4" FP x 1/4" FP	1	28893
3	INBOARD CYLINDER 3" x 10"	1	6T0151R
4	OUTBOARD CYLINDER 3" x 12"	1	6T0149
	HYDRAULIC COVER ASSEMBLY	AVAIL.	28973
5	HYDRAULIC COVER	1	28972
6	SWIVEL 1/2" MP x 1/2" FPX 90°	2	TF4879
7	SWIVEL 1/2" MP x 1/2" FPX 90° (SHORT)	1	27145
8	SWIVEL, 3/8" MP x 1/2" FPX	1	27846
9	SWIVEL, 5/8" OR x 1/2" FPX	1	TB1094
10	SWIVEL, 5/8" OR x 1/2" FPX 45°	1	TB1096
11	SWIVEL, 1/2" MP x 1/2" FPX 45°	1	TF4878
12	FITTING 1/2" ADJ. O-RING x 1/2" FP 90° EL.	3	6T0157
13	RESTRICTOR 1/2" .093	1	6T4255
14	BREATHER 1/2" O-RING	3	6T4258
15	SWIVEL, 1/4" MP x 1/4" FPX 90°	1	6T4216
16	UNION, 3/8" FFS x 1/4" MP	1	28864
17	UNION, 14MM OR x 1/4" FP	1	28858
18	UNION, 1/4" MP - 1/4" MP	1	6T4278
19	QUICK COUPLER, 1/2" FEMALE	4	6T4221A
20	PLUG, 1/2" OR	6	6T4207
21	HOSE, 1/2" x 50" (MP - MP) (PRESSURE) (RETURN)	2	6T1412
22	HOSE, 1/4" x 52" (1/4" MP - 3/8" MORB 90°)(LOAD SENSE)	1	28923
23	HOSE, 1/4" x 108" (1/4" MP - 1/2" MP) (E)	1	THS1150
24	HOSE, 1/4" x 120" (1/4" MP - 1/2" MP) (F)	1	THS1151
25	HOSE, 1/4" x 108" (1/2" MP - 1/2" MP) (G)	1	30107
26	UNION, 1/2" MP x 1/2" MJ	4	6T4280
27	HOSE, 3/8" x 122" (1/2" MP - 1/2" MORB 90° (A,B,C,D)	4	28924
28	RESTRICTOR, 1/16" ORIFICE (NPT)	2	6T4256
29	QUICK COUPLER, 1/2" MALE	7	6T4221
30	SPACER (1/4")	IF REQ'D	22076
31	SPACER (5/16")	IF REQ'D	22077
32	SWIVEL, 1/2" MP x 1/2" FPX 90°	3	TF4879
33	SWIVEL, 1/2" OR x 3/8" FPX 90°	1	TB1020
34	TEE, 1/4" MP x 1/4" FPX x 1/4" FPX	1	30054
35	ADAPTER, 1/2" OR x 1/4" FP	1	6T4234
36	HOSE, 1/4" x 106" (1/4" MP - 1/2" MORB 90°)	1	30210
37	HOSE, 1/4" x 45" (1/4" MP - 3/8" MP)	1	TB1968
38	CYLINDER, 3 x 8	2	30481



**BOOM / LOADER CABLE CONTROL ASSEMBLY
JOHN DEERE 6200 - 6400, CAB**

REF. NO.	PARTS DESCRIPTION	NO. REQ.	PART NO.
1	VALVE, 6-SPOOL	REF.	*
2	MOUNTING PLATE	1	28856C
3	VALVE PLATE MOUNTING ANGLE, LF	1	22148-1D
4	VALVE PLATE MOUNTING ANGLE, RT	1	22148-2D
5	CABLE MOUNTING ANGLE	1	6T4330
6	CABLE CONTROL MOUNTING BRACKET	1	23865B
7	CABLE CONTROL BOX, 180°	6	6T1251
8	CONTROL CABLES, 72" W/HARDWARE	6	6T4415
9	CABLE CONTROL CLEVIS	6	6T4411
10	SPACER 1" OD x 7/16" ID x 1-1/2"	3	27082
11	SPLIT HOSE, 6"	1	6T3200
12	TRIM LOCK	8"	TB3440
13	TRIM LOCK	8"	28053
14	REDI-ROD, 1/4" x 10-1/2" NC (W/NUT)	2	6T2188
15	CAPSCREW, 3/8" x 2-1/4" NC	6	21635
16	CAPSCREW, 3/8" x 1-1/4" NC	4	21631
17	CAPSCREW, 3/8" x 1" NC	2	21630
18	LOCKWASHER, 3/8"	13	21988
19	LOCKWASHER, 1/4"	9	21986
20	HEX NUT, 3/8" NC	12	21625
21	HEX NUT, 1/4" NC	3	21525
22	HEX NUT, 1/4" NF	12	21500
23	ROLL PIN	6	6T3017
24	FLAT WASHER, 3/8"	9	22016
25	REDI-ROD, 1/4" x 11" NC (W/NUT)	1	6T2189
26	SUPPORT BRACKET	1	30750A
27	CAPSCREW, 10mm x 25mm (1.5 PITCH)	1	27513

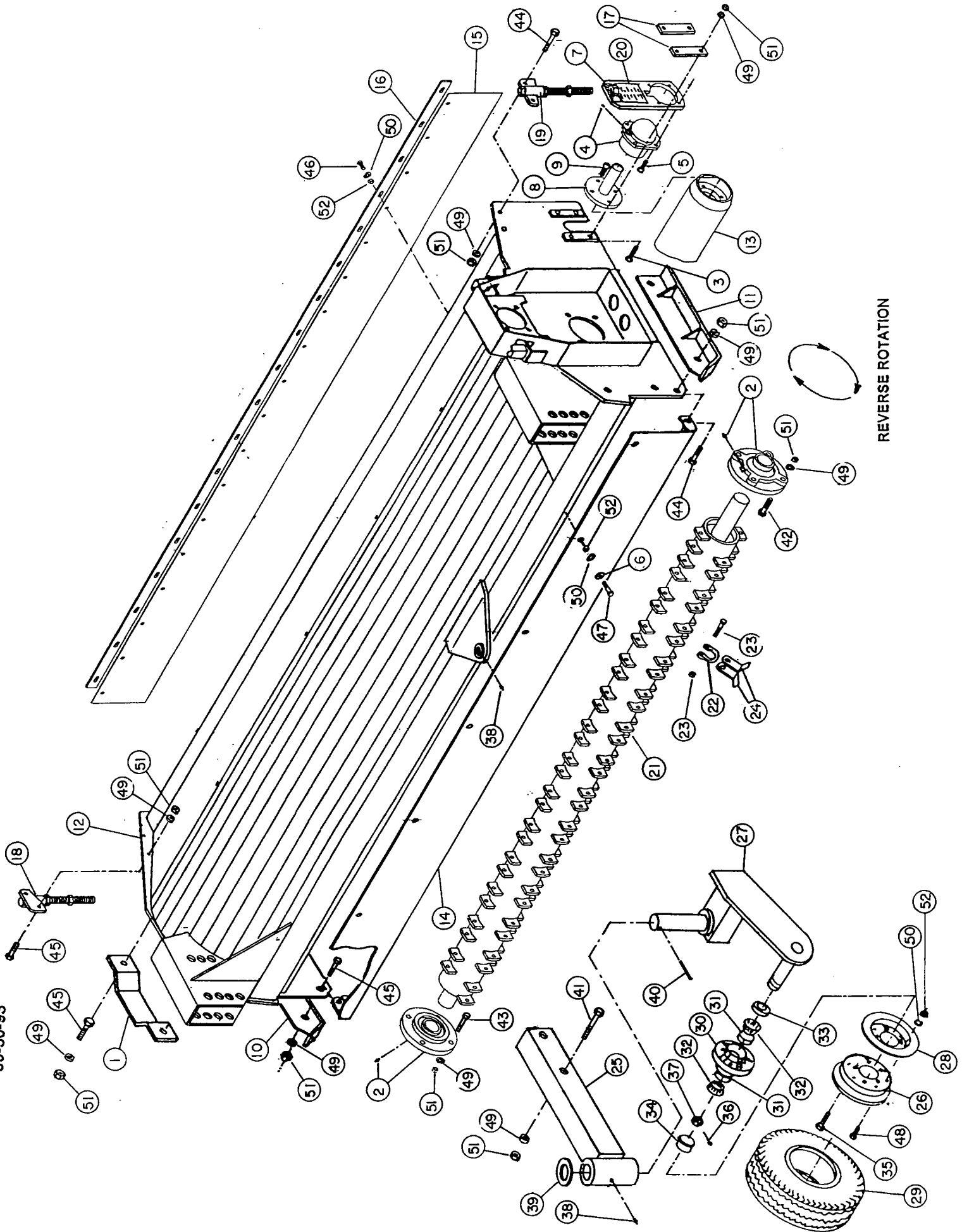
* Refer To Lift Control Feedline Assembly For Valve Information



COOLER MOUNTING AND ASSEMBLY
JD 62 - 6400
CAB, HIGH PRESSURE

REF. NO.	PARTS DESCRIPTION	NO. REQ.	PART NO.
	COOLER ASSEMBLY	AVAIL.	30206
1	COOLER	AVAIL.	TF4619
	COOLER COIL	1	TF4614
2	FAN ASSEMBLY	AVAIL.	27053
	BLADE	2	TF4615
	GUARD	2	TF4616
	MOTOR BRACKET	(2 SETS)	TF4617
	MOTOR	2	TF4618
3	ELBOW, 3/4" MP x 1" FP x 1" FP 90°	2	22763
4	HOSE, 1" x 13-3/4" (1" MP - 3/4" MP)	1	22671
5	SWIVEL, 3/4" MP x 3/4" FPX	1	6T3503
6	CHECK VALVE, #20	1	22813
7	UNION, 1" MP x 3/4" MP	1	22675
8	SWIVEL, 1" MP x 1" FPX	1	TF4868
9	SWIVEL, 1" MP x 1" FPX 90°	1	TF4870
10	SWIVEL, 1" MP x 1" FPX 45°	1	TF4869
11	FENDER BRACKET	1	30229
12	UPPER COOLER BRACKET	1	30230
13	SUPPORT CHANNEL	1	30231
14	LOWER COOLER BRACKET	1	30232
15	CAPSCREW, 3/8" x 1" NC	1	21630
16	CAPSCREW, 1/4" x 1-1/2" NC	1	21532
17	CAPSCREW, 1/4" x 1-1/4" NC	3	21531
18	LOCKWASHER, 3/8"	1	21988
19	LOCKWASHER, 1/4"	3	21986
20	HEX NUT, 1/4" NC	3	21525
21	THREADED INSERT, 3/8" NC	1	6T2293
+22	HOSE	REF.	REF.
+23	HOSE	REF.	REF.
24	TUBE CLAMP	1	TB3031
25	CAPSCREW, 5/16" x 2-3/4" NC	1	21587
26	LOCKWASHER, 5/16"	1	21987
27	HEX NUT, 5/16" NC	1	21575
28	RUBBER PAD	1	30306
29	RUBBERPAD	1	30307B

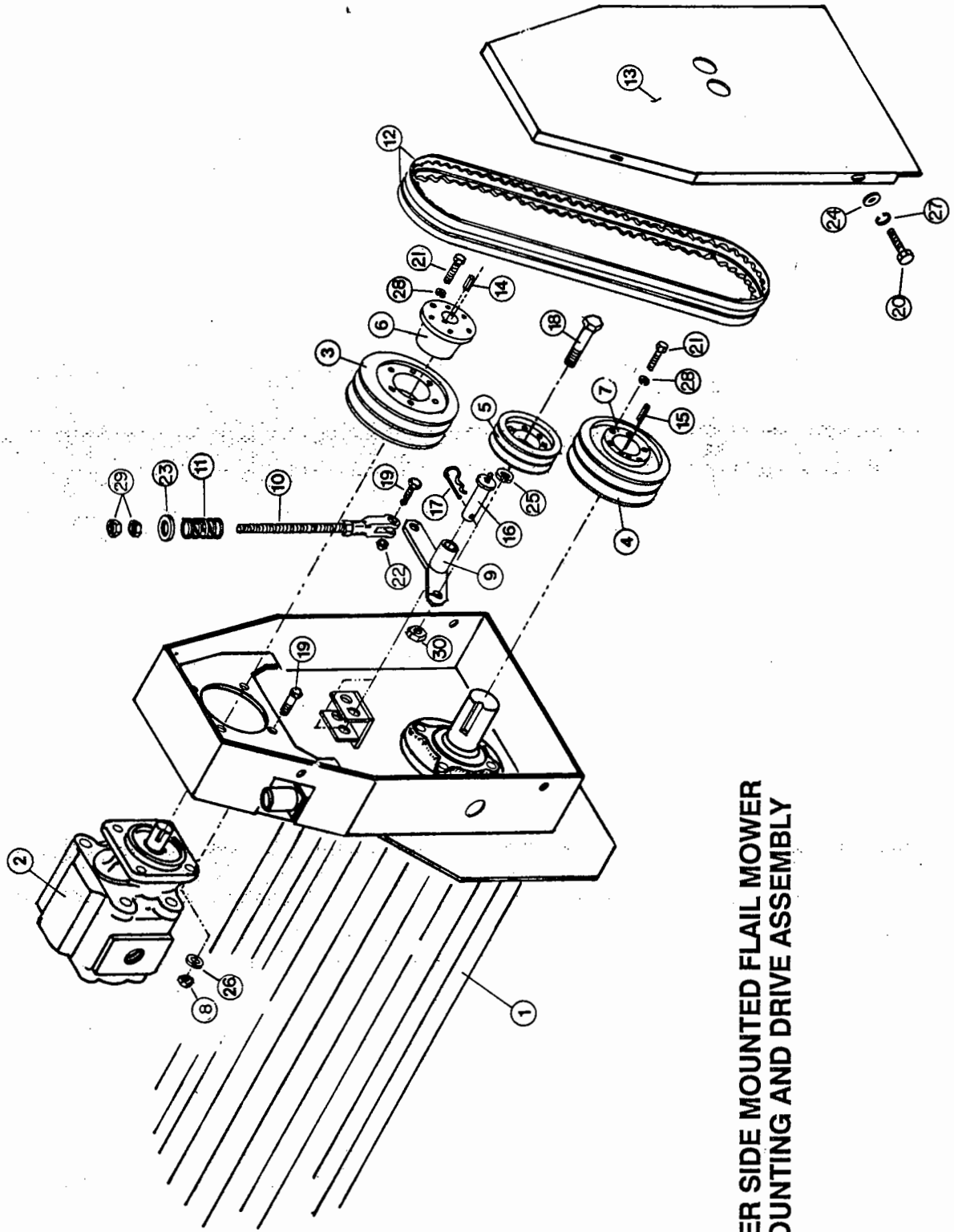
+ These hoses and their routing may vary depending on which mower system you have.
Refer to the Deck Feedline Assembly for your unit.



REVERSE ROTATION

102" FRONT PUSH TYPE FLAIL CUTTER ASSEMBLY, REVERSE ROTATION

REF. NO.	PARTS DESCRIPTION	NO. REQ.	PART NO.	REF. NO.	PARTS DESCRIPTION	NO. REQ.	PART NO.
1	CUTTER SHAFT GUARD	1	TF1610	25	CASTER WHEEL ARM	2	30524
2	BEARING, FLANGE, ASSEMBLY (1-15/16")	2	28683	26	CASTER WHEEL RIM (OUTER)	2	22697
3	GREASE ZERK, 1/8"	REF.	6T3211	27	CASTER WHEEL SPINDLE ASSEMBLY	2	22057
4	PLOW BOLT 1/2" x 1-3/4" NC	8	23293	28	CASTER WHEEL RIM (INNER)	2	22696
	BEARING, FLANGE, ASSEMBLY (1-3/8")	2	TF1022S	29	CASTER WHEEL TIRE (SOLID RUBBER)	2	21416
	INNER BEARING PROTECTOR W/SEAL	REF.	TF1042		HUB ASSEMBLY	AVAIL.	22065
	DUST CAP	REF.	TF1041	30	HUB	2	22066
5	GREASE ZERK, 1/4"	REF.	6T3207	31	BEARING CUP	4	22067
6	SOCKET HEAD CAPSCREW, 7/16" x 1" NC	8	6T2331	32	BEARING	4	6T0830
7	FLATWASHER, 3/8"	7	22016	33	SEAL	2	22069
8	ADJUSTABLE ROLLER BRACKET	2	TF4333A	34	DUST CAP	2	22070
9	ROLLER STUB SHAFT	2	TF1045	35	HUB STUD	10	22071
10	SOCKET HEAD CAPSCREW, 7/16" x 1-1/2" NC	8	6T2330	36	COTTER PIN, 3/16" x 2"	2	22533
11	SKID SHOE, RIGHT	1	TF4371	37	AXLE CASTLE NUT	2	22073
12	SKID SHOE, LEFT	1	TF4365	38	GREASE ZERK, 1/4" STR.	3	6T3207
13	102" FRONT FLAIL BONNET	1	30523	39	FLATWASHER, 1-1/2"	2	22027
14	102" GROUND ROLLER	1	TF1706	40	ROLL PIN, 1/4" x 2"	2	6T3014
15	102" FRONT TRASH GUARD	1	TF1701	41	CAPSCREW, 1/2" x 4-1/2" NC	4	21841
16	102" DEFLECTOR FLAP	1	TF1704	42	CAPSCREW, 1/2" x 2-1/4" NC	4	21734
17	102" FLAP RETAINING BAR	4	TF1703	43	CAPSCREW, 1/2" x 2" NC	4	21733
18	LOCK PLATE	1	TF4336	44	CAPSCREW, 1/2" x 1-3/4" NC	4	21732
19	ADJUSTMENT ROD, RIGHT	1	TF4334	45	CAPSCREW, 1/2" x 1-1/2" NC	6	21731
20	ADJUSTMENT ROD, LEFT	1	TF4335	46	CAPSCREW, 3/8" x 1-1/4" NC	18	21631
	DECAL "CUTTING HEIGHT"	2	21405	47	CAPSCREW, 3/8" x 1" NC	7	21630
	102" CUTTER SHAFT ASSEMBLY	AVAIL.	TF1707A	48	CAPSCREW, 3/8" x 3/4" NC	12	21629
21	102" CUTTER SHAFT	1	TF1707	49	LOCKWASHER, 1/2"	30	21990
22	KNIFE MOUNTING CLEVIS	56	TF1020	50	LOCKWASHER, 3/8"	37	21988
23	KNIFE MOUNTING NUT & BOLT	56	TF2021B	51	HEX NUT, 1/2" NC	30	21725
24	STANDARD CUT FLAIL KNIFE (SHORT)	112	28054	52	HEX NUT, 3/8" NC	37	21625



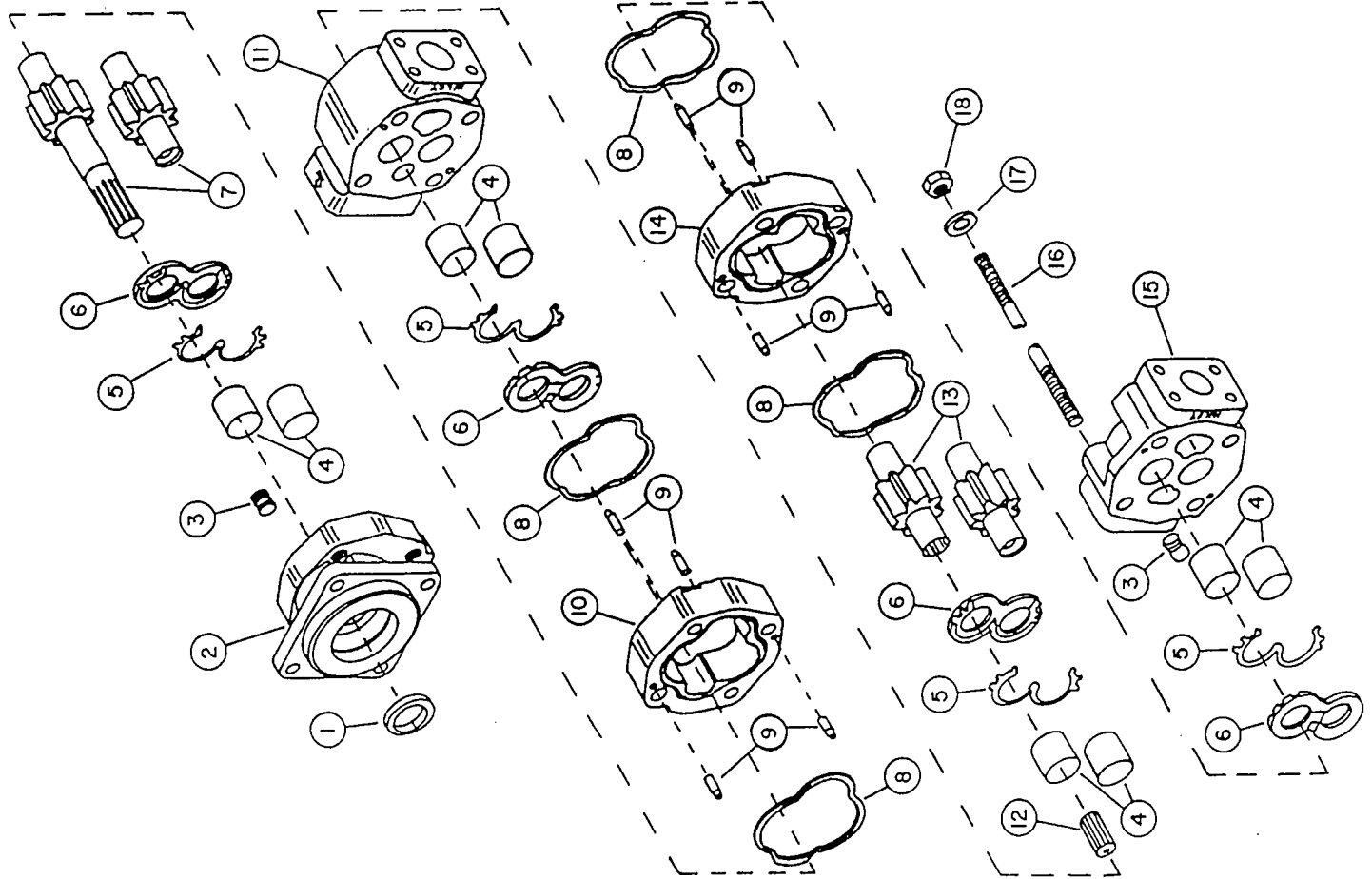
**TIGER SIDE MOUNTED FLAIL MOWER
MOUNTING AND DRIVE ASSEMBLY**

**TIGER SIDE FLAIL MOWER
DRIVE ASSEMBLY**

REF.		PARTS DESCRIPTION		NO. PART		REF.		PARTS DESCRIPTION		NO. PART	
NO.	REF.	NO.	REF.	REQ.	NO.	NO.	REF.	NO.	REF.	REQ.	NO.
1		HOUSING ASSEMBLY			*		16	IDLER ARM PIN, 3/4" x 4-1/4"		1	TF3605
2		MOTOR M350 (1-3/4" GEARS)			23174		17	R-CLIP, 3/16"		1	6T3004
3		SHEAVE 7.1		1	TF3042		18	CAPSCREW 5/8" x 3"		1	21787
4		SHEAVE 6.3		1	TF3040		19	CAPSCREW 1/2" x 1-3/4" NC		4	21732
5		SHEAVE 4.4		1	31293		20	CAPSCREW 3/8" x 1" NC		4	21630
6		TAPERLOCK BUSHING 1-1/4"		1	TF3013		21	CAPSCREW 5/16" x 2" NC		6	21584
7		TAPERLOCK BUSHING 2-3/16"		1	TF3011		22	NYLOCK NUT, 1/2" NC		1	21727
8		HEX NUT 1/2" NC		4	21725		23	MACHINE BUSHING, 1" O.D. x 1/2" I.D. x 14GA		1	27938
9		IDLER ARM (STANDARD ROTATION)		1	TF4346		24	FLAT WASHER 3/8"		4	22016
9a		IDLER ARM (REVERSE ROTATION) NOT SHOWN		OPT.	TF4345		25	LOCKWASHER 5/8"		1	21992
10		CLEVIS ROD, 11" (TSF)		1	TF3611A		26	LOCKWASHER 1/2"		4	21990
11		TENSIONERS SPRING		1	TF3620A		27	LOCKWASHER 3/8"		4	21988
12		V-BELT (530)		2	TF3020		28	LOCKWASHER 5/16"		6	21987
13		BELT SHIELD		1	TF1404		29	HEX NUT 1/2" NF		2	21700
14		KEY, 5/16" SQ. x 1-3/4" SQ.		1	TF1125		30	HEX NUT 5/8" NC		1	21775
15		KEY, 3/8" x 1/2" x 1-7/8" SQ.		1	TF1025						

* 60" or 75" Bonnets

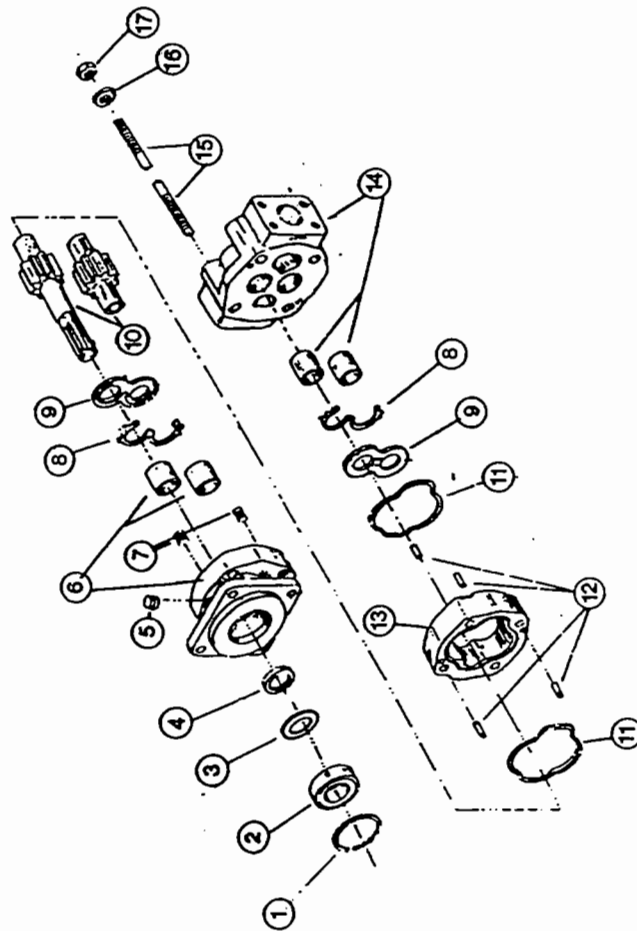
**FRONT MOUNTED HIGH PRESSURE
TANDEM PUMP
(P350 - P/N 22679)
PARTS LIST**



REF. NO.	PARTS DESCRIPTION	NO. REQ.	PART NO.
*1	SEAL	1	22765
2	SHAFT END COVER	1	22766
3	CHECK ASSEMBLY	2	22767
4	BUSHING	8	22768
*5	CHANNEL SEAL	4	22769
*6	THRUST PLATE	4	22770
7	INTEGRAL DRIVE SHAFT AND GEAR SET 1-3/4"	Set	22771
*8	GASKET SEAL	4	22772
9	DOWEL PINS	8	22773
10	GEAR HOUSING 1-3/4"	1	22774
11	BEARING CARRIER	1	22775
12	CONNECTING SHAFT	1	22776
13	MATCHED GEAR SET 1-1/2"	Set	22777
14	GEAR HOUSING 1-1/2"	1	22778
15	PORT END COVER	1	22779
16	STUDS	4	22780
17	WASHER	4	22781
18	NUT	4	22782
	SEAL APPLICATOR TOOL	AVAIL	6T5322
	SEAL KIT	AVAIL	22764

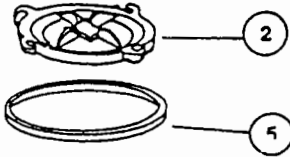
* Items Included in Seal Kit

FLAIL MOWER MOTOR (M350 - 1-3/4 P/N 23174) PARTS LIST

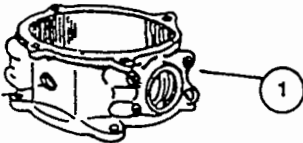
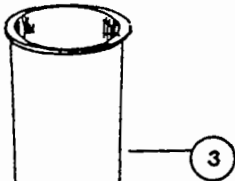
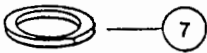
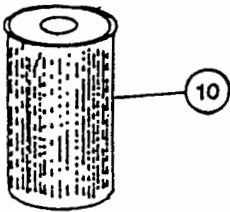
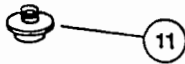
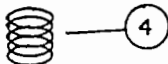


REF. NO.	PARTS DESCRIPTION	NO. REQ.	PART NO.
1	SNAP RING	1	TF4401
2	BEARING	1	TF4402
3	SEAL RETAINER	1	TF4406
4	SEAL	1	TF4403
5	PLUG	1	TF4405
6	SHAFT END COVER (INCLUDES BEARINGS)	1	TF4404
7	CHECK ASSEMBLY	2	TF4418
8	CHANNEL SEAL	2	TF4407
9	THRUST PLATE	2	TF4408
10	INTEGRAL SHAFT AND GEAR 1-3/4"	1 SET	24044
11	GASKET SEAL	2	TF4410
12	DOWEL PIN	4	TF4411
13	GEAR HOUSING 1-3/4"	1	24045
14	PORT END COVER (INCLUDES BUSHINGS)	1	TF4413
15	STUD	4	TF4414
16	WASHER	4	TF4415
17	NUT	4	TF4416
*	SEAL KIT (INCLUDES #4, 8, AND 11)	1	TF4417

* DRAWINGS NOT SHOWN

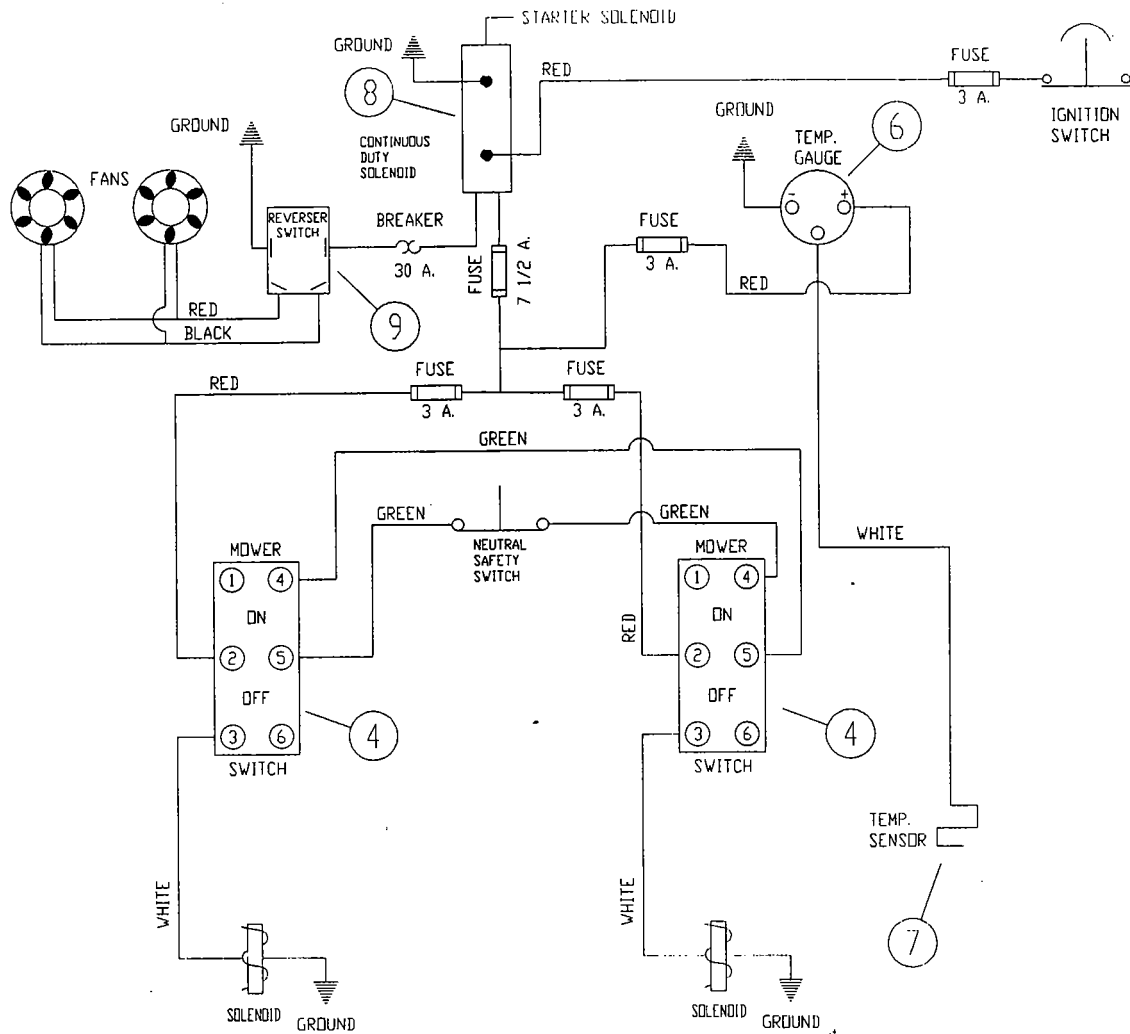


MOTOR FEEDLINE IN-TANK FILTER *6T0640

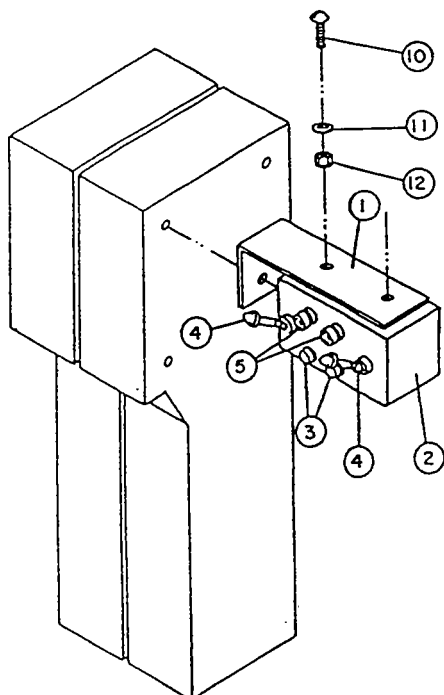


REF. NO.	PARTS DESCRIPTION	NO. REQ.	PART NO.
1	FILTER BODY	1	6T0641
2	FILTER COVER	1	6T0642
3	FILTER BOWL	1	6T0643
4	ELEMENT RETAINING SPRING	1	6T0644
5	SEAL - COVER TO BODY	1	6T0645
6	SEAL - BODY TO TANK	1	6T0646
7	SEAL - ELEMENT TO BOWL	1	6T0647
8	SEAL - BOWL TO BODY	1	6T0648
9	FILTER GAUGE	1	6T0649
10	ELEMENT - 25 MICRON	1	6T0650
11	BYPASS	1	6T0651

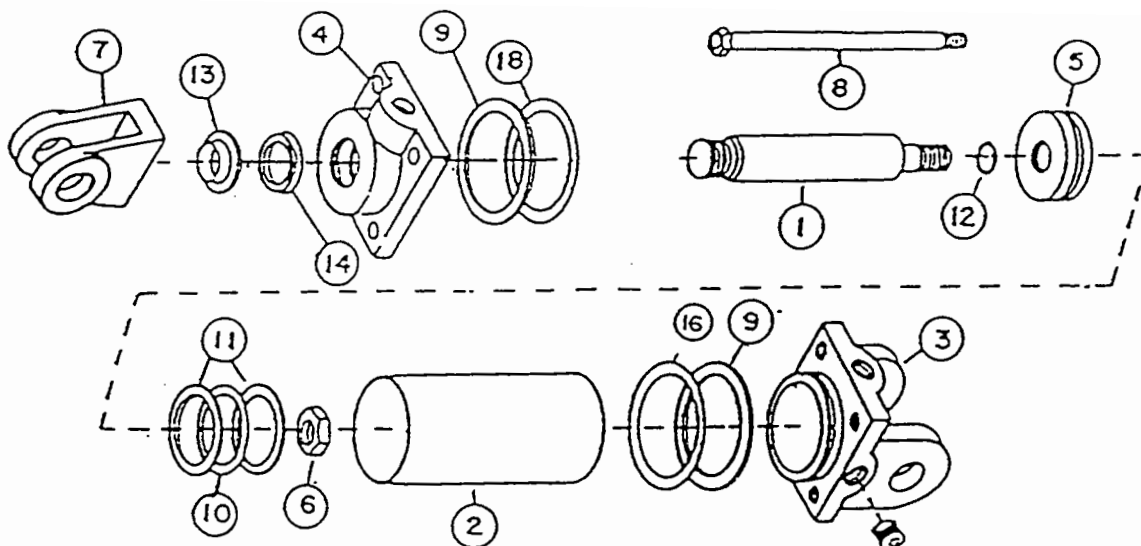
* Used on mowers with serial No. TB-1267 to present.



SWITCH WIRING DIAGRAM

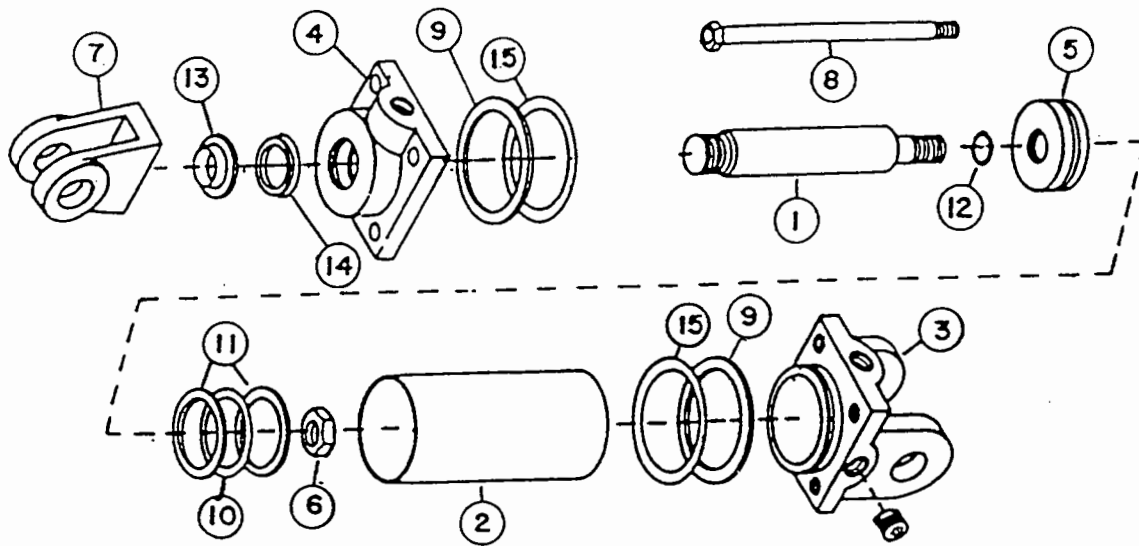


REF. NO.	PARTS DESCRIPTION	NO. REQ.	PART NO.
1	SWITCH MOUNTING BRACKET (CAB)	1	6T3949A
2	SWITCH-MOUNTING BOX	1	31296
3	SWITCH "ON" LIGHT	2	6T3923
4	SWITCH HARNESS, FORD	2	6T3905
5	IN-DASH FUSE HOLDER	2	6T3924
6	OIL TEMPERATURE GAUGE	OPT.	6T3934
7	SENDING UNIT, TEMPERATURE GAUGE	OPT.	6T3931
8	CONTINUOUS DUTY SOLENOID	1	6T3927
9	REVERSING SWITCH	1	30260
10	SWITCH BOX WITH HARNESS	1	31297
11	MACHINE SCREW 8/32" x 1/2" NC	2	6T3951
12	FLAT WASHER NO. 8	2	6T3953
13	HEX NUT 8/32" NYLOCK	2	6T3952
	SWITCH ASSEMBLY (INCLUDES 1,2,3,4,5)	AVAIL.	27847



LIFT CYLINDERS
3" X 10" (6T0151R)
3" X 12" (6T0149)

REF. NO.	PARTS DESCRIPTION	NO. REQ.	PART NO.
1	PISTON ROD (3 x 10)	1	6T0161
1a	PISTON ROD (3 x 12)	REF.	6T0203
2	TUBE (3 x 10)	1	6T0164
2a	TUBE (3 x 12)	REF.	6T0204
3	BUTT 3"	1	6T0167
4	GLAND 3"	1	6T0170
5	PISTON 3"	1	6T0173
6	LOCKNUT 3"	1	6T0179
7	CLEVIS 3"	1	6T0178
8	TIE ROD (3 x 10)	4	6T0176
8a	TIE ROD (3 x 12)	REF.	6T0205
9	BACK-UP WASHER	2	28011
10	O-RING 3"	1	6T0181
11	BACK-UP WASHER	2	6T0184
12	O-RING 3"	1	6T0182
13	WIPER 3"	1	6T0186
14	U-CUP	1	6T0160
15	SEAL KIT 3"	1	6T0187
16	O-RING	2	28010



**LIFT CYLINDER
3" X 8" (30481)**

REF. NO.	PARTS DESCRIPTION	NO. REQ.	PART NO.
1	PISTON ROD	1	30561
2	TUBE	1	30562
3	BUTT 3"	1	6T0167
4	GLAND 3"	1	6T0170
5	PISTON 3"	1	6T0173
6	LOCKNUT 3"	1	6T0179
7	CLEVIS 3"	1	6T0178
8	TIE ROD	4	30563
9	BACK-UP WASHER	2	28011
10	O-RING 3"	1	6T0181
11	BACK-UP WASHER	2	6T0184
12	O-RING 3"	1	6T0182
13	WIPER 3"	1	6T0186
14	U-CUP	1	6T0160
15	O-RING	2	28010
	SEAL KIT 3"	AVAIL.	6T0187

