

GUARD RAIL CLEANER/OVER THE RAIL CLEANER

HIGH PRESSURE

JOHN DEERE 6200 - 6400

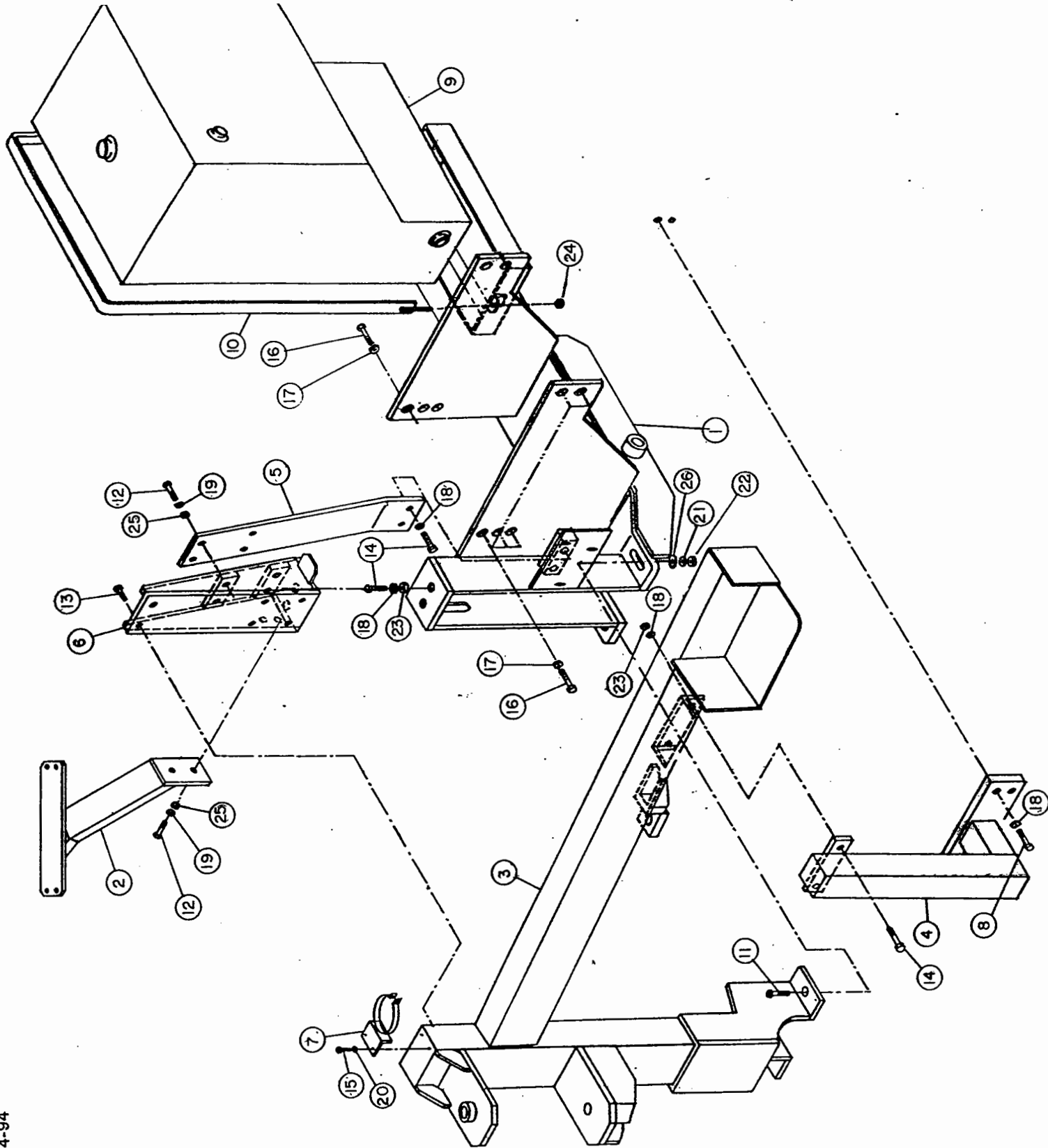
2 WD, NON-CAB

Main Frame	PB80663
Deck Feedline	PB80664
Lift Control Feedline (1 of 2).....	PB80665
Lift Control Feedline (2 of 2).....	PB80666
Wiring Diagram.....	PB80674

COMMON ASSEMBLY PB: 27766

Current As Of: 09-01-95

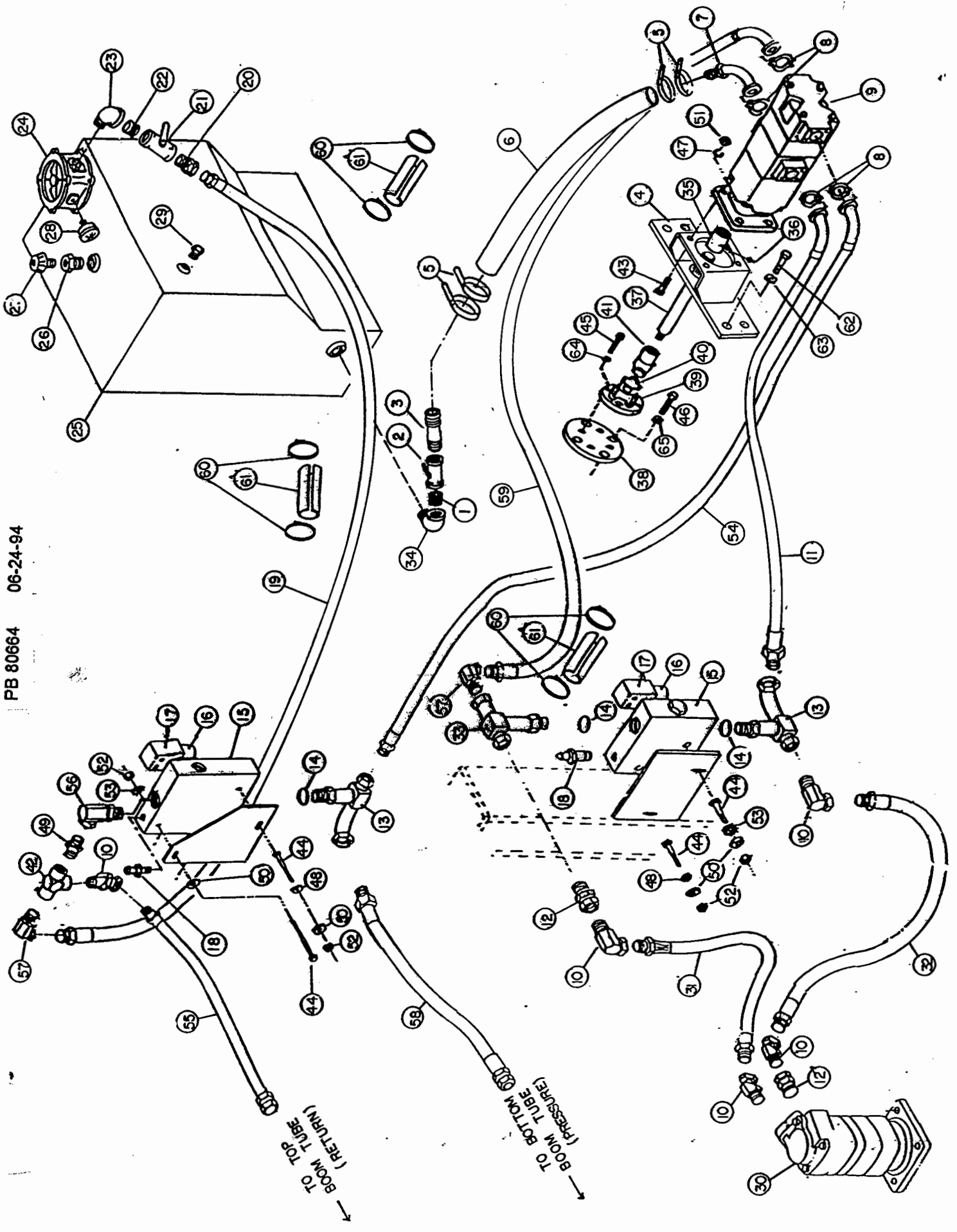
PB: 31013



**GUARD RAIL CLEANER/OVER THE RAIL CLEANER
TRACTOR MAIN FRAME ASSEMBLY
JOHN DEERE 6200 - 6400, NON-CAB**

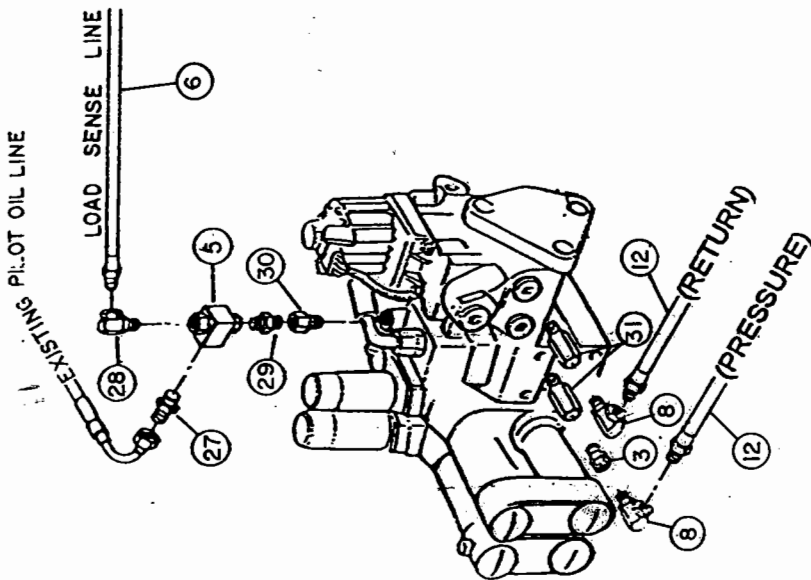
REF. NO.	PARTS DESCRIPTION	NO. REQ.	PART NO.
1	MAIN FRAME	1	30767
2	VALVE STAND	1	30762
3	SIDE FRAME	1	30573B
4	FRONT FRAME	1	30761
5	SIDE FRAME BRACE	1	30768
6	SIDE FRAME BRACKET	1	30575A
7	ACCUMULATOR BRACKET	1	23888
8	CAPSCREW, 16mm x 70mm (2.0 PITCH)	4	22427
9	RESERVOIR TANK	REF.	*
10	TANK STRAP	1	28191
11	CAPSCREW, 3/4" x 2-3/4" NC	2	21835
12	CAPSCREW, 1/2" x 1-3/4" NC	6	21732
13	CAPSCREW, 1/2" x 1-1/4" NC	6	21730
14	CAPSCREW, 5/8" x 2" NC	6	21783
15	CAPSCREW, 3/8" x 1" NC	2	21630
16	CAPSCREW, 20mm x 50mm (2.5 PITCH)	10	27512
17	LOCKWASHER, 20mm	10	24881
18	LOCKWASHER, 5/8"	10	21992
19	LOCKWASHER, 1/2"	6	22018
20	LOCKWASHER, 3/8"	2	21988
21	LOCKWASHER, 3/4"	2	21993
22	HEX NUT, 3/4" NC	2	21825
23	HEX NUT, 5/8" NC	4	21775
24	NYLOCK NUT, 3/8" NC	2	21627
25	HEX NUT, 1/2" NC	6	21725
26	FLAT WASHER, 3/4"	2	22021

* Refer to Deck Feedline For Reservoir Tank Information



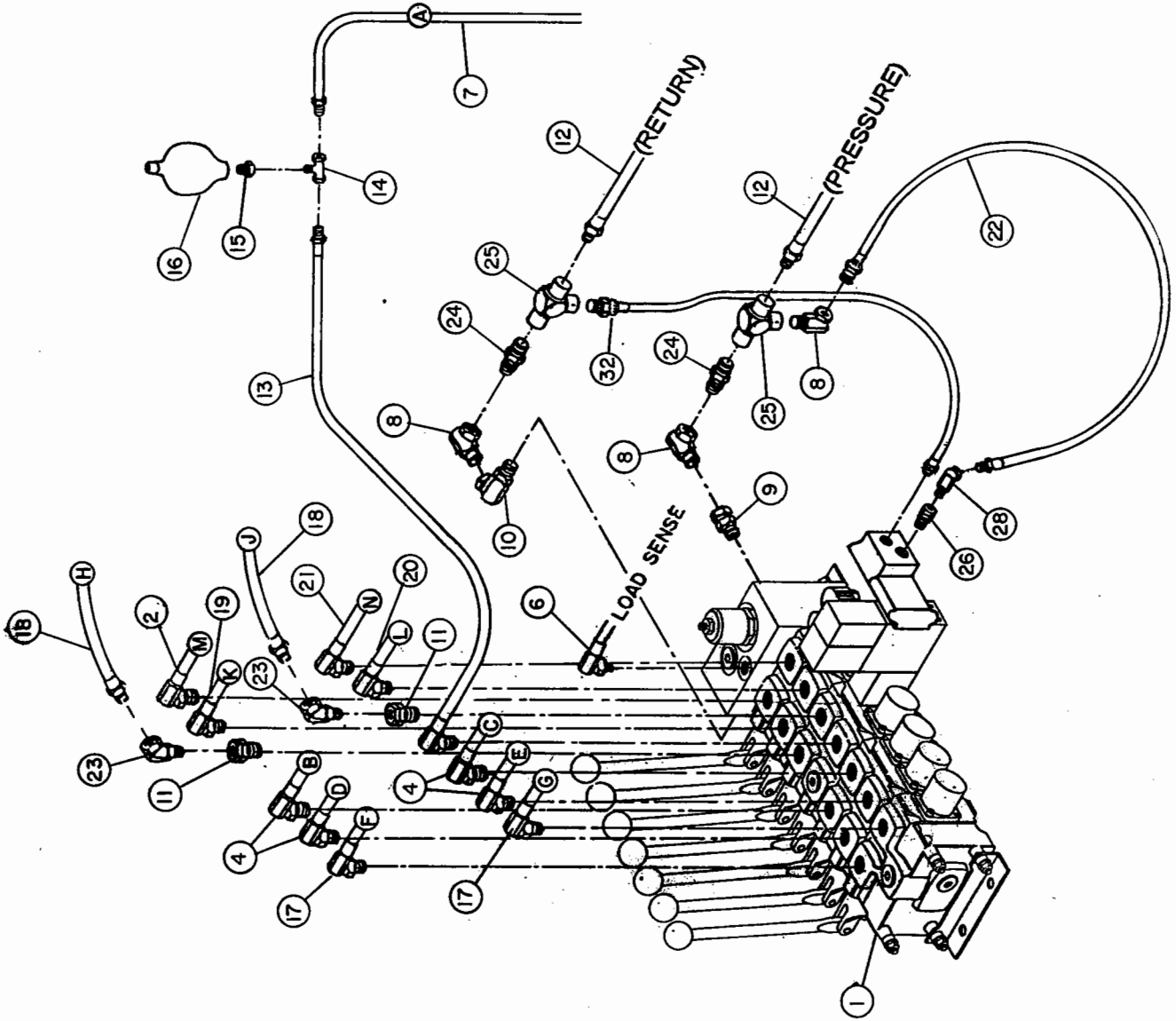
**GUARD RAIL CLEANER/OVER THE RAIL CLEANER
DECK FEEDLINE ASSEMBLY
JOHN DEERE 6200 - 6400, 2WD**

REF. NO.	PARTS DESCRIPTION	NO. REQ.	PART NO.	REF. NO.	PARTS DESCRIPTION	NO. REQ.	PART NO.
1	1-1/2" CLOSE NIP XHD	1	6T3801	34	ST. EL. 1-1/2" x 90°	1	6T3612
2	1-1/2" BALL VALVE	1	6T4238		SPLINE COUPLING ASSEMBLY	AVAIL.	6T0375
3	KING NIPPLE, 1-1/2"	1	6T3800	35	SPLINE COUPLING	1	6T0376
4	PUMP MOUNTING BRACKET	1	6T0357	36	GREASE ZERK 1/4" STRAIGHT	1	6T3207
5	BANDIT CLAMP	4	6T3018	37	PUMP DRIVE SHAFT (25-7/8")	1	28857A
6	SUCTION HOSE 1-1/2"	60"	22897	38	ADAPTER PLATE	1	28853
7	KING FITTING 1-1/2" x 20 FLNG 45°	1	22631	39	CRANKSHAFT ADAPTER ASSY	AVAIL.	24983
8	NO. 20 FLANGE KIT	4	TF4852	40	YOKE ADAPTER PLATE	1	24984
9	TANDEM PUMP P350 1-3/4" - 1-1/2"	1	22679	41	BEARING U-JOINT KIT	1	24975
10	SWIVEL 1" MP - 1" FPX 45°	5	TF4869	42	YOKE WITH THREADED INSERT	1	24974
11	HOSE 1" x 75" (1" MP - 20 FLNG 45°)	1	24375	43	TEE, 1" FP x 1" FP x FP	1	22674
12	SWIVEL 1" MP - 1" FPX	2	TF4868	44	CAPSCREW 1/2" x 1-3/4" NC	4	21732
13	PREFORMED TEE HP	2	23157	45	CAPSCREW 3/8" x 3" NC	4	21638
14	O-RING	3	6T3904A	46	CAPSCREW 5/16" x 1" NC	4	21580
15	SOLENOID ASSEMBLY	AVAIL	27360	47	CAPSCREW 14mm X 40mm (2.0 PITCH)	4	6T2514
16	SOLENOID BODY	2	27398	48	LOCKWASHER 1/2"	4	21990
17	SOLENOID CARTRIDGE	2	6T3906	49	LOCKWASHER 3/8"	2	21988
18	SOLENOID BLOCK	2	6T3907	50	UNION 1"	1	22811
19	RELEIF VALVE (3400 PSI)	2	6T3910	51	FLATWASHER 3/8"	4	22016
20	HOSE 1" X 100" (MP - MP)	1	27379	52	HEX NUT 1/2" NC	4	21725
21	SWIVEL 1-1/4" MP - 1" FPX	1	22890	53	HEX NUT 3/8" NC	4	21625
22	1-1/4" BALL VALVE	1	6T4237	54	STAR LOCKWASHER 3/8"	2	6T2665
23	CLOSE NIP 1-1/4" XHD	1	6T3825	55	HOSE 1" x 52" (1" MP - 20 FLNG 45°)	1	22747
24	ST. EL. 1-1/4" X 90° XHD	1	6T3601	56	HOSE 1" x 56" (MP - FJX)	1	24493
25	RESERVOIR TANK ASSEMBLY	AVAIL	28061	57	SWIVEL 1-1/4" OR x 1" FPX 90°	1	25131
26	IN-TANK FILTER ASSEMBLY	1	6T0640	58	SWIVEL 1" MP x 1" FPX - 90°	2	TF4870
27	RESERVOIR TANK	1	6T1219C	59	HOSE 1" x 47" (MP - FJX)	1	24039
28	RESERVOIR TANK BREATHER	1	6T4231	60	HOSE 1" x 95" (1" MP - 20 FLNG 45°)	1	27620
29	PRESSURE GAUGE	1	6T1200N	61	HOSE CLAMP	6	23568
30	OIL SIGHT GLASS	1	6T0649	62	SPLIT HOSE	3	6T3200
31	MOTOR	1	6T1209	63	CAPSCREW, 20mm x 40mm (2.5 PITCH)	4	24860
32	HOSE 1" X 68" (MP - MP)	1	23248	64	LOCKWASHER, 20mm	4	24881
33	HOSE 1" X 70" (1" MP - 20 FLNG 90°)	1	27104	65	LOCKWASHER, 5/16"	4	21987
	TEE, PREFORMED (HP)	1	22666		LOCKWASHER, 14mm	4	6T2624
		1	24030				



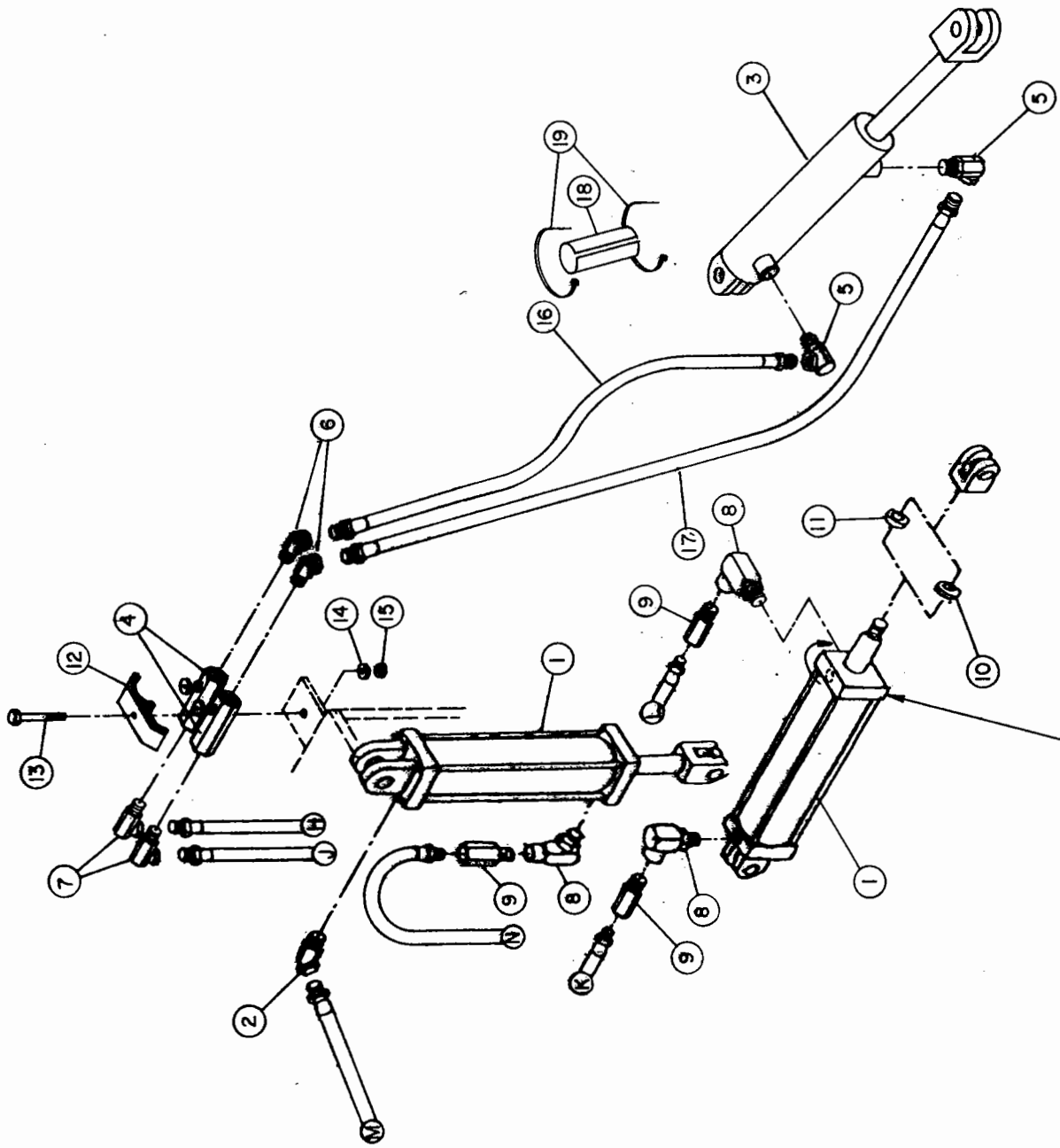
HOSE ROUTING TO BOOM AND SWIVEL CYLINDERS

- A TO MAIN BOOM CYLINDER GLAND
- B TO SECONDARY BOOM CYLINDER GLAND
- C TO SECONDARY BOOM CYLINDER BUTT
- D TO DECK CYLINDER GLAND
- E TO DECK CYLINDER BUTT
- F TO SWIVEL CYLINDER GLAND
- G TO SWIVEL CYLINDER BUTT



**GUARD RAIL CLEANER & OVER THE RAIL CLEANER
LIFT CONTROL FEEDLINE ASSEMBLY
JOHN DEERE 6200 - 6400, NON-CAB**

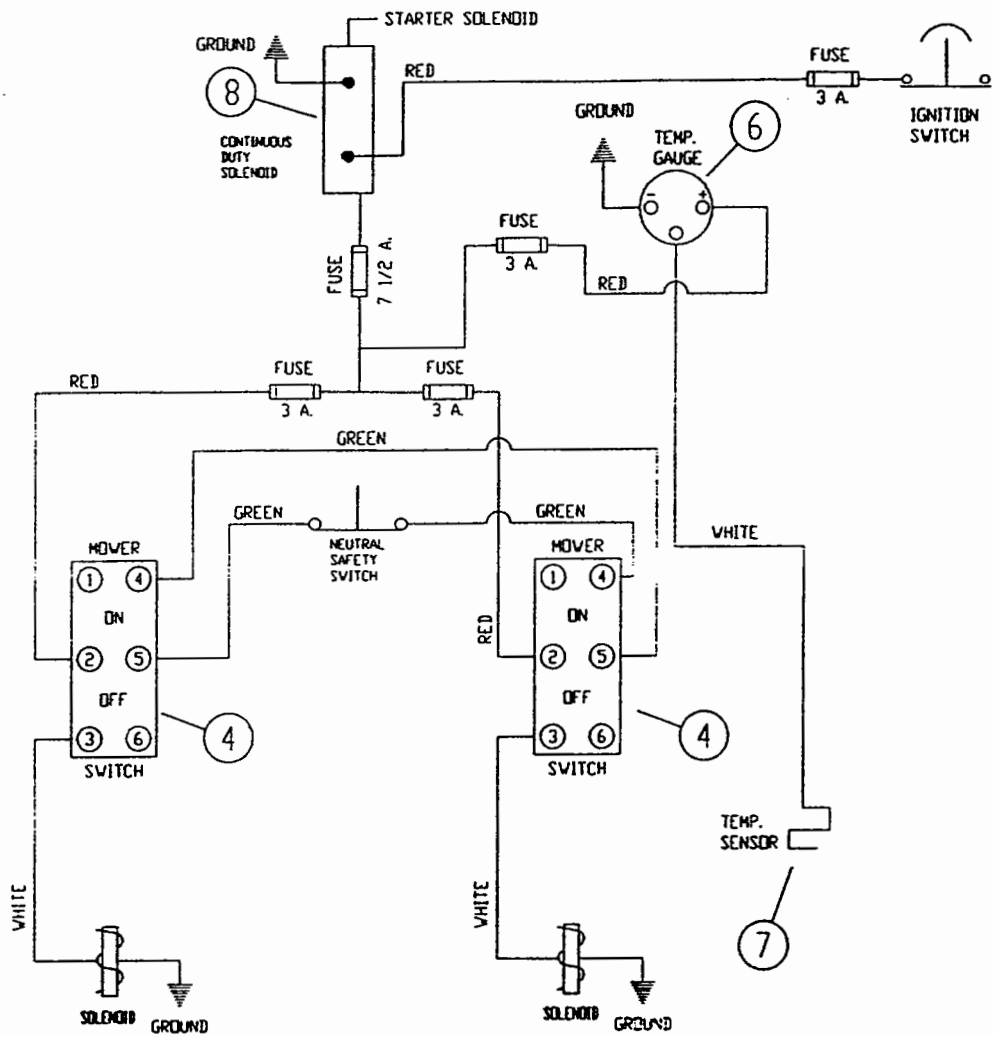
REF. NO.	PARTS DESCRIPTION	NO. REQ.	PART NO.
1	VALVE, 7-SPOOL, HV07, GRC	1	30622
2	HOSE, 1/4" x 50" (1/2" MP - 1/2" MOR 90°) (M)	1	30469
3	SWIVEL, 1/2" MP x 1/2" FPX 90°	1	TF4879
4	HOSE, 1/4" x 145" (5/16" MJ - 1/2" MOR 90°) (B,C,D,E)	4	30208
5	SHUTTLE TEE, 1/4" FP x 1/4" FP x 1/4" FP	1	28893
6	HOSE, 1/4" x 140" (1/4" MP - 3/8" MOR 90°) (LOAD SENSE)	1	30775
7	HOSE, 1/4" x 36" (1/4" MP - 1/2" MP) (A)	1	27294
8	SWIVEL, 1/2" MP x 1/2" FPX 90° (SHORT)	5	27145
9	SWIVEL, 5/8" OR x 1/2" FPX	1	TB1094
10	SWIVEL, 5/8" OR x 1/2" FPX 90°	1	TB1095
11	SWIVEL, 1/2" OR x 1/2" FPX	2	6T2701
12	HOSE, 1/2" x 120" (MP - MP) (RETURN) (PRESSURE)	2	6T7027
13	HOSE, 1/4" x 39" (1/4" MP - 1/2" MOR 90°)	1	30031
14	TEE, 1/4" MP x 1/4" FPX x 1/4" FPX	1	30054
15	ADAPTER, 1/2" OR x 1/4" FP	1	6T4234
16	ACCUMULATOR	1	24300
17	HOSE, 1/4" x 170" (1/2" MP - 1/2" MOR 90°) (F,G)	2	30587
18	HOSE, 1/2" x 43" (MP - MP) (H,I,J)	2	6T1414
19	HOSE, 1/4" x 70" (1/2" MP - 1/2" MOR 90°) (K)	1	28936
20	HOSE, 1/4" x 92" (1/2" MP - 1/2" MOR 90°) (L)	1	28986
21	HOSE, 1/4" x 60" (1/2" MP - 1/2" MOR 90°) (N)	1	28894
22	HOSE, 1/4" x 22" (1/4" MP - 1/2" MP)	1	30586
23	SWIVEL, 1/2" MP - 1/2" FPX 45°	2	TF4878
24	UNION, 1/2" MP x 1/2" MP	2	TF4889
25	TEE, 1/2" FP x 1/2" FP x 1/2" FP	2	23194
26	SWIVEL, 3/8" OR x 1/4" FPX	1	6T4291
27	UNION, 3/8" FFS x 1/4" MP	1	28864
28	SWIVEL, 1/4" MP x 1/4" FPX 90°	2	6T4216
29	UNION, 1/4" MP x 1/4" MP	1	6T4278
30	UNION, 14mm MORB x 1/4" FP	1	28858
31	ADAPTER, 22mm OR x 1/2" FP	2	30548
32	HOSE, 1/4" x 26" (1/4" MP x 1/2" MP)	1	TB2005



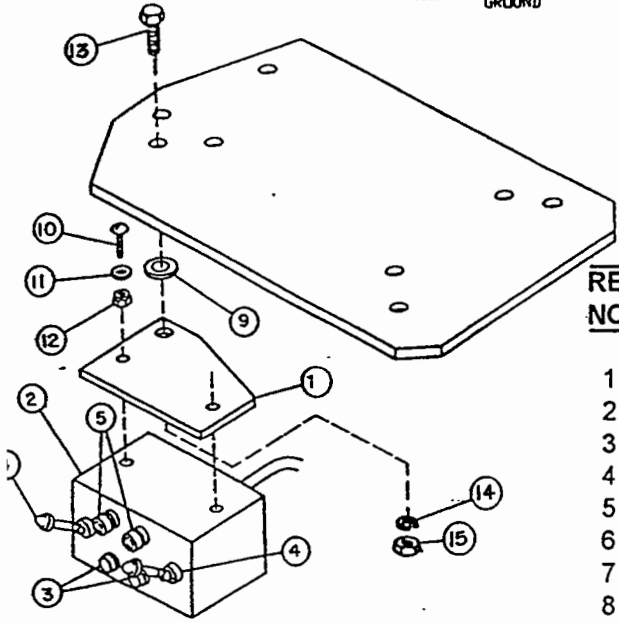
TURN GLAND END CAP A QUARTER
TURN FOR CORRECT PORT POSITIONING

**GUARD CLEANER/OVER THE RAIL CLEANER
LIFT CONTROL FEEDLINE ASSEMBLY**

REF. NO.	PARTS DESCRIPTION	NO. REQ.	PART NO.
1	CYLINDER, 3" x 10"	REF.	6T0151R
2	SWIVEL, 1/2" OR x 1/2" FPX 45°	1	6T0159
3	CYLINDER, 2-1/2" x 6"	REF.	27648
4	FLOW CONTROL VALVE	2	27760
5	SWIVEL, 1/2" OR x 1/2" FPX 90°	2	6T0158
6	SWIVEL, 1/2" MP x 1/2" FPX 45°	2	TF4878
7	SWIVEL, 1/2" MP x 1/2" FPX 90°	2	TF4879
8	FITTING 1/2" OR x 1/2" FP 90°	3	6T0157
9	RESTRICTOR, .0625, 1/2" MP x 1/2" FPX	3	31189
10	SPACER, 1/4"	IF REQ'D	22076
11	SPACER, 5/16"	IF REQ'D	22077
12	CLAMP	1	TB3031
13	CAPSCREW, 3/8" x 3-1/2" NC	1	21640
14	LOCKWASHER, 3/8"	1	21988
15	HEX NUT, 3/8" NC	1	21625
16	HOSE, 1/2" x 60" (MP - MP)	1	6T1413
17	HOSE, 1/2" x 72" (MP - MP)	1	6T1403
18	SPLIT HOSE	1	6T3200
19	ZIP TIE, 8"	2	6T1822



**WIRING SCHEMATIC
GUARD RAIL MOWER / GUARD RAIL CLEANER**



REF. NO.	PARTS DESCRIPTION	NO. REQ.	PART NO.
	SWITCH ASSEMBLY	AVAIL.	27400
1	SWITCH MOUNTING BRACKET	1	6T3950
2	SWITCH-MOUNTING BOX	1	6T3926
3	SWITCH "ON" LIGHT	2	6T3923
4	SWITCH HARNESS	2	6T3905
5	IN-DASH FUSE HOLDER	2	6T3924
6	OIL TEMPERATURE GAUGE	OPT.	6T3934
7	TEMP. SENDING UNIT	OPT.	6T3931
8	CONTINUOUS DUTY SOLENOID	1	6T3927
9	FLATWASHER, 3/8"	2	22016
10	MACHINE SCREW 8/32" x 1/2" NC	2	6T3951
11	FLAT WASHER NO. 8	2	6T3953
12	HEX NUT 8/32" NYLOCK	2	6T3952
13	CAPSCREW, 3/8" x 1" NC	1	21630
14	LOCKWASHER, 3/8"	1	21988
15	HEX NUT, 3/8" NC	1	21625