

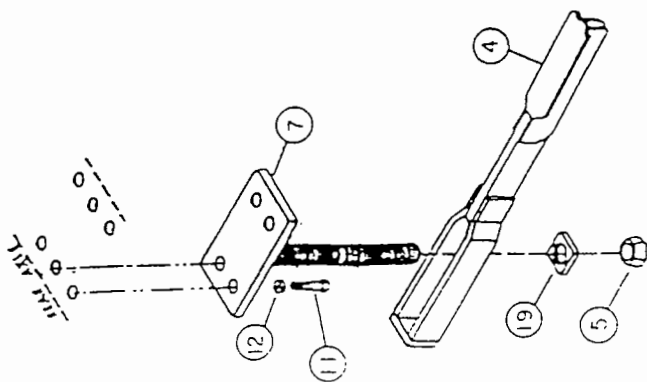
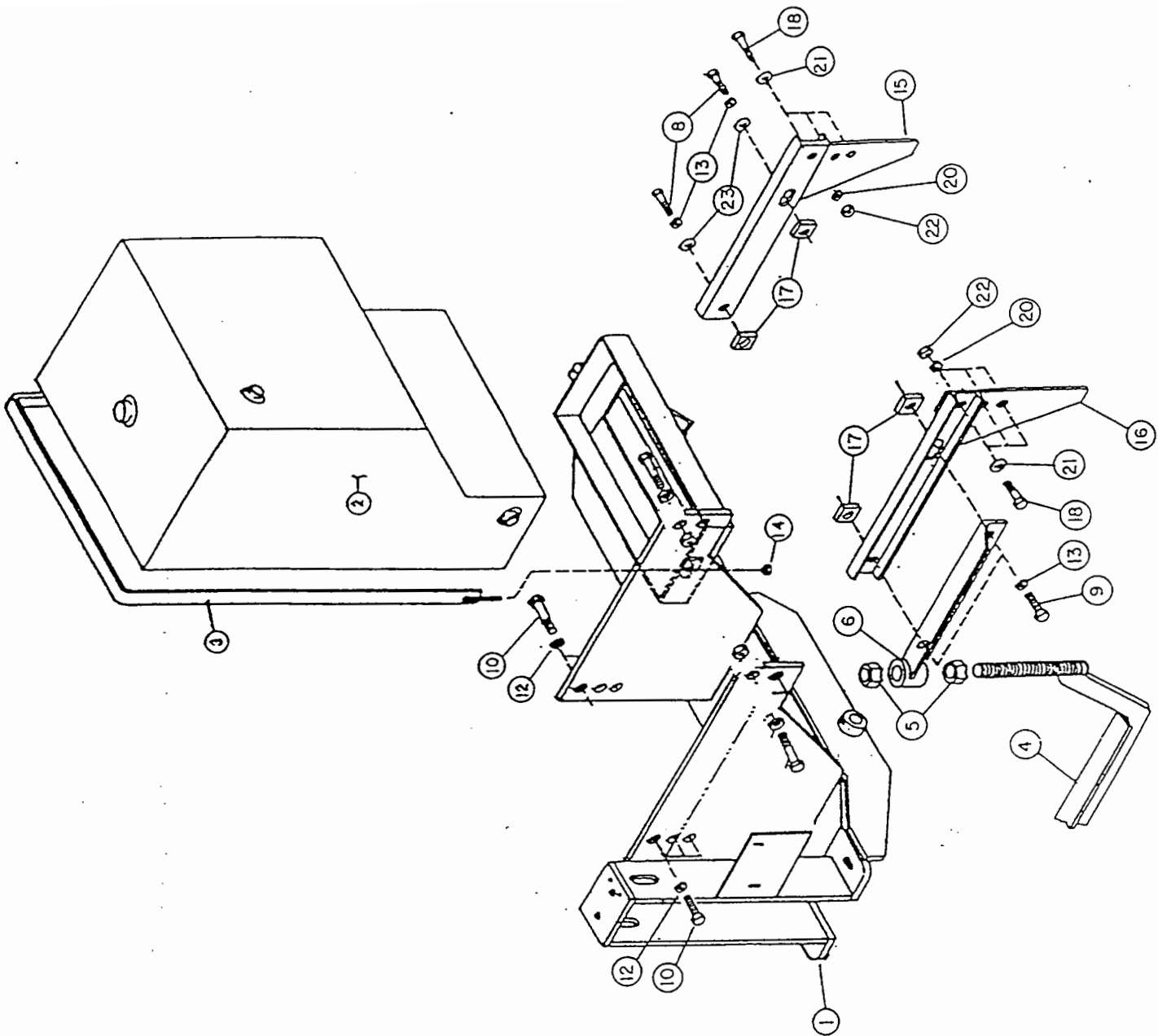
BOOM MOWER/SWEEPER
JOHN DEERE 6200 - 6400
2WD, CAB, NON-CAB
HIGH PRESSURE

Main Frame	PB80242
Deck Feedline	PB80243
Lift Control Feedline (Non-Cab)	PB80718
Lift Control Feedline (Cab)	PB80244
Lift Control Feedline (Mast Mount)	PB80423
Cable Control Assembly	PB80586
Cable Control Assembly (Mast Mount)	PB80424
Sweeper Mounting	PB80460
Switch Wiring (Cab)	PB80155
Safety Window Kit, Wheel Weight Kits	PB80430

COMMON ASSEMBLY PB: 24494

CURRENT AS OF : 10-7-97

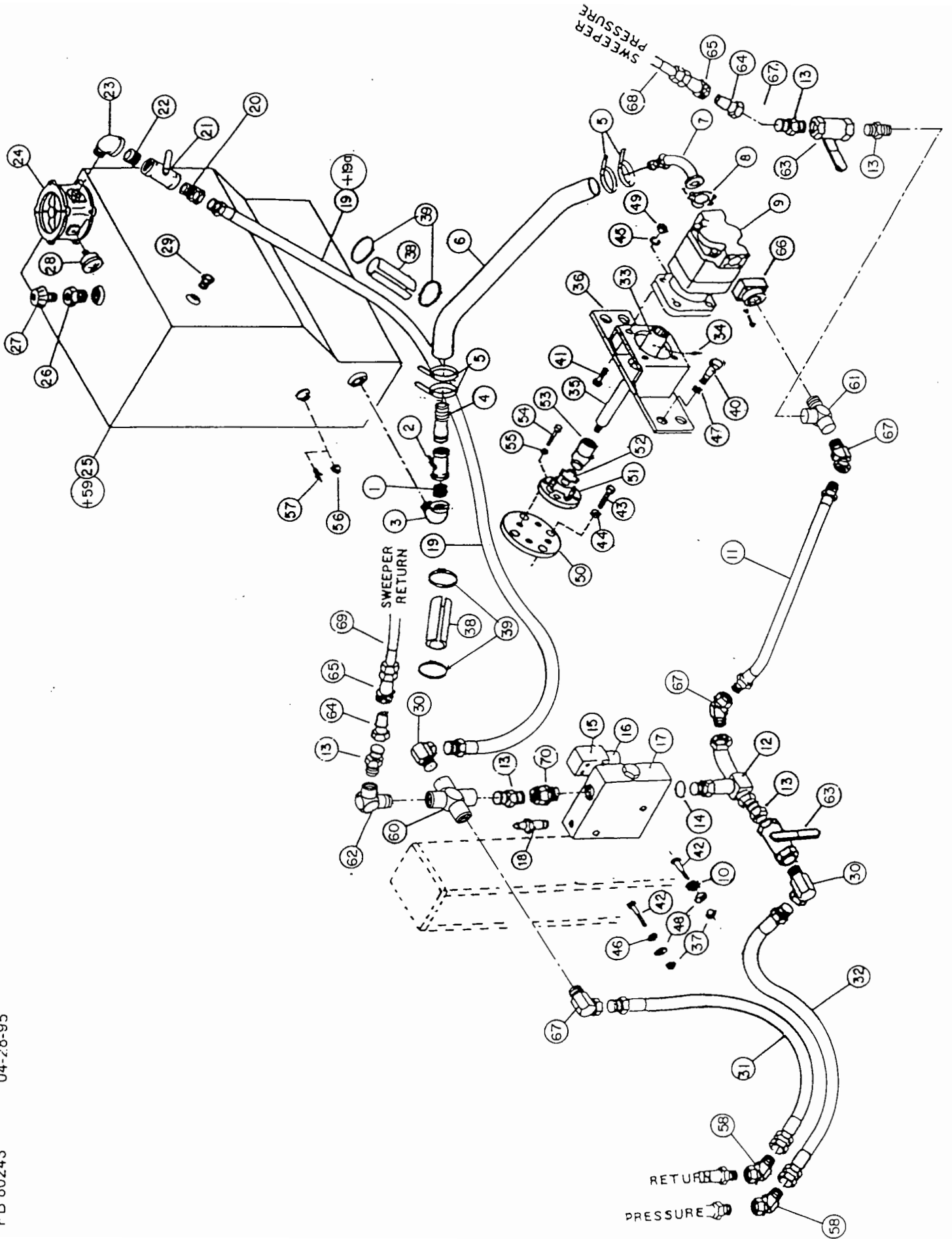
PB: 30724



BOOM MOWER/SWEEPER
 MAIN FRAME ASSEMBLY
 JOHN DEERE 6200 - 6400
 CAB, NON-CAB

REF. NO.	PARTS DESCRIPTION	NO. REQ.	PART NO.
1	MAIN FRAME	1	30088A *
2	RESERVOIR TANK	REF.	
3	RESERVOIR TANK STRAP	1	28191
4	RESERVOIR TANK STRAP (4WD)	REF.	28191
5	SUBFRAME BRACKET	1	25472
6	HEX NUT 1-1/2" NC	3	6T2406
7	FRONT SUBFRAME BRACKET	1	TB3007A
8	LOWER REAR SUBFRAME BRACKET	1	28739
9	CAPSCREW, 16MM x 70MM (2.0 PITCH)	2	22427
10	CAPSCREW, 16MM x 80MM (2.0 PITCH)	2	6T2531
11	CAPSCREW 20MM x 50MM (2.5 PITCH)	10	27512
12	CAPSCREW 20MM x 65MM (2.5 PITCH)	8	24879
13	LOCKWASHER, 20MM	14	24881
14	LOCKWASHER, 16MM	4	6T2625
15	NYOCK NUT, 3/8" NC	2	21627
16	SWEEPER MOUNTING FRAME (LEFT)	1	30725
17	SWEEPER MOUNTING FRAME (RIGHT)	1	30726
18	SPACER, 1/2"	4	TF4049
19	CAPSCREW, 3/4" x 2" NC	6	21832
20	REAR SUBFRAME PLATE	1	TB3008
21	LOCKWASHER, 3/4"	6	21993
22	FLATWASHER, 3/4"	6	22021
23	HEX NUT, 3/4" NC	6	21825
	FLATWASHER, 5/8"	2	22020

* Refer To Deck Feedline Assembly For Reservoir Tank Information



BOOM MOWER/SWEEPER DECK FEEDLINE ASSEMBLY JOHN DEERE 6200 - 6400, CAB, NON-CAB

REF. NO.	PARTS DESCRIPTION	NO. REQ.	PART NO.	REF. NO.	PARTS DESCRIPTION	NO. REQ.	PART NO.
1	1-1/2" CLOSE NIP XHD	1	6T3801	36	PUMP MOUNTING BRACKET	1	6T0357D
2	1-1/2" BALL VALVE	1	6T4238	37	HEX NUT 3/8"	2	21625
3	ST. EL. 1-1/2" x 90°	1	6T3612	38	SPLIT HOSE	2	6T3200
4	KING NIPPLE, 1-1/2"	1	6T3800	39	HOSE CLAMP	4	23568
5	BANDIT CLAMP	4	6T3018	40	CAPSCREW 20MM x 40MM (2.5 PITCH)	4	24860
6	SUCTION HOSE 1-1/2"	60"	22897	41	CAPSCREW 1/2" x 1-3/4" NC	4	21732
7	KING NIPPLE #20 FLNG. 45°	1	22631	42	CAPSCREW 3/8" x 3" NC	2	21638
8	FLANGE KIT #20	1	TF4852	43	CAPSCREW 14mm x 40mm (2.0 PITCH)	4	6T2514
9	DECK FEEDLINE PUMP (P350, 1-3/4" GEAR)	1	23152	44	LOCKWASHER 14mm	4	6T2624
10	STAR LOCKWASHER 3/8"	1	6T2662	45	LOCKWASHER 1/2"	4	21990
11	HOSE 1" x 53" (1" MP x MP)	1	27355	46	LOCKWASHER 3/8"	1	21988
12	PREFORMED TEE HP	1	23158	47	LOCKWASHER 20MM	4	24881
13	UNION, 1"	5	22811	48	FLAT WASHER 3/8"	2	22016
14	O-RING	1	6T3904A	49	HEX NUT 1/2"	4	21725
15	SOLENOID VALVE ASSEMBLY	AVAIL.	27360	50	CRANKSHAFT ADAPTER PLATE	1	28853
16	SOLENOID BLOCK	1	6T3907	51	CRANKSHAFT ADAPTER ASSEMBLY	AVAIL.	24983
17	SOLENOID CARTRIDGE	1	6T3906	52	YOKE ADAPTER PLATE	1	24984
18	SOLENOID BODY	1	27398	53	BEARING U-JOINT KIT	1	24975
19	RELIEF VALVE (3400 PSI)	1	6T3910	54	YOKE WITH THREAD INSERT	1	24974
+19a	HOSE, 1" x 78" (MP - MP)	1	23878	55	CAPSCREW, 5/16" x 1" NC	4	21580
20	HOSE 1" x 90" (MP - MP)	OPT.	22858	56	LOCKWASHER, 5/16"	4	21987
21	SWIVEL 1-1/4" MP - 1" FPX	1	22890	57	PIPE PLUG, 1/8"	1	6T4197
22	1-1/4" BALL VALVE	1	6T4237	58	TEMPERATURE SENDING UNIT	OPT.	6T3931
23	CLOSE NIP 1-1/4" XHD	1	6T3825	59	RESERVOIR TANK ASSEMBLY (4WD)	2	24724
24	ST. EL. 1-1/4" x 90° XHD	1	6T3601	+59	RESERVOIR TANK ASSEMBLY (4WD) (INCL 24,69)	AVAIL.	28193
25	RESERVOIR TANK ASSEMBLY	AVAIL.	28061	60	RESERVOIR TANK (4WD)	OPT.	28192B
26	IN-TANK FILTER ASSEMBLY	1	6T0640	61	CROSS, 1" FP	1	25213
27	RESERVOIR TANK (2WD)	1	6T1219A	62	TEE, 1" FP x 1" FP x 1" MP	1	TF4861
28	BUSHING 1/2" x 2"	1	6T4231	63	ELBOW, 1" FP x 1" MP 90°	1	25255
29	RESERVOIR TANK BREATHER	1	6T1200N	64	BALL VALVE, 1"	2	6T4243
30	PRESSURE GAUGE	1	6T0649	65	QUICK COUPLER, 1" MALE	2	6T4222
31	TANK SIGHT GLASS	1	6T1209	66	QUICK COUPLER, 1" FEMALE	2	6T4222A
32	SWIVEL 1" MP - 1" FPX 90°	2	TF4870	67	ADAPTER BLOCK KIT (1" FP - 20 FLG)	1	TF4850
33	HOSE 1" x 47" (MP - FJX)	1	24039	68	SWIVEL, 1" MP x 1" FPX 45°	3	TF4869
34	HOSE 1" x 40" (MP - FJX)	1	27351	69	HOSE, 3/4" x 48" (1" MP - 3/4" FFS)	1	30765
35	SPLINE COUPLING	1	6T0375	70	HOSE, 3/4" x 118" (1" MP - 3/4" FFS)	1	25130
	GREASE ZERK 1/4" STRAIGHT	1	6T3207		ADAPTER, 1-1/4" O-RING x 1" FP	1	TF4872
	PUMP DRIVE SHAFT (25-7/8")	1	28857A				

+ Use With Four Wheel Drive Units Only

PB 80243

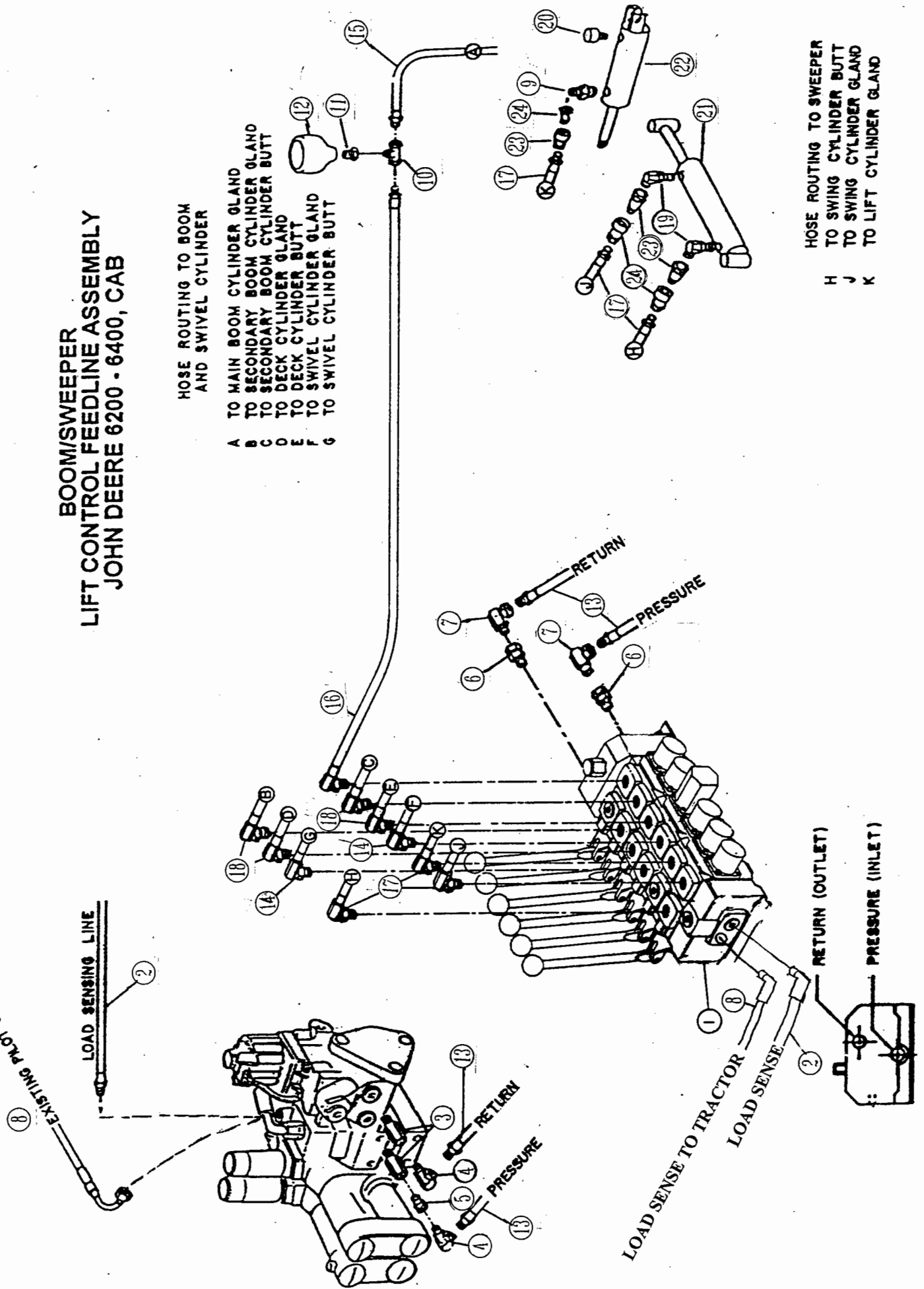
04-28-95

BOOM/SWEEPER LIFT CONTROL FEEDLINE ASSEMBLY JOHN DEERE 6200 - 6400, CAB

HOSE ROUTING TO BOOM
AND SWIVEL CYLINDER

- A TO MAIN BOOM CYLINDER GLAND
- B TO SECONDARY BOOM CYLINDER GLAND
- C TO SECONDARY BOOM CYLINDER BUTT
- D TO DECK CYLINDER GLAND
- E TO DECK CYLINDER BUTT
- F TO SWIVEL CYLINDER GLAND
- G TO SWIVEL CYLINDER BUTT

- H HOSE ROUTING TO SWEEPER
- J TO SWING CYLINDER BUTT
- K TO SWING CYLINDER GLAND
- L TO LIFT CYLINDER GLAND



**BOOM/SWEEPER LIFT CONTROL FEEDLINE ASSEMBLY
JOHN DEERE 6200 - 6400, NON-CAB**

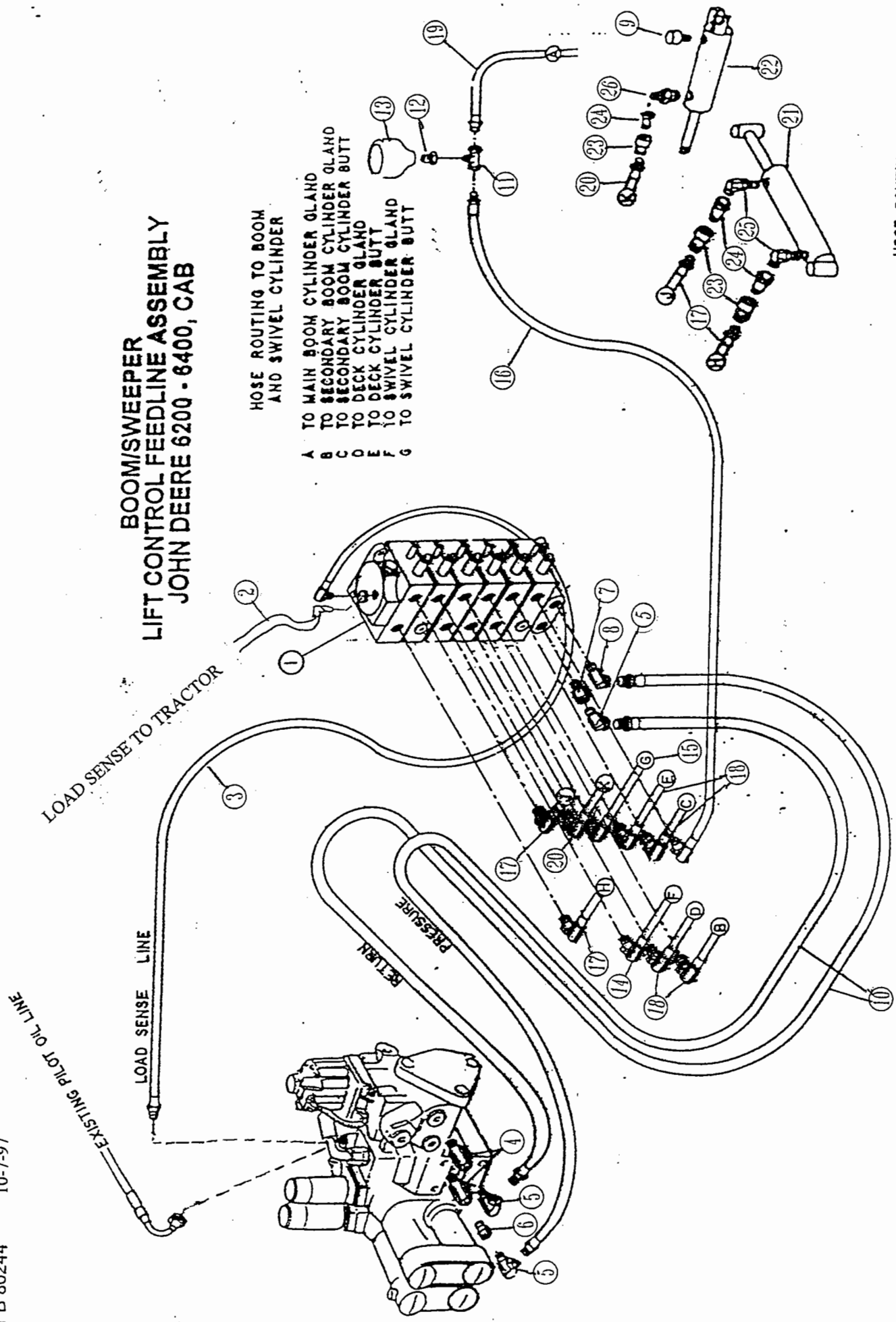
REF. NO.	PARTS DESCRIPTION	NO. REQ.	PART NO.
1	VALVE, 6-SPOOL, TRB/SWEEPER	1	31525
1a	VALVE, 6-SPOOL, TBF/SWEEPER	OPT.	31527
2	HOSE, 1/4" x 130" (3/8" MORB 90° x 3/8" FFS 45°)(L.S.)	1	31970
3	ADAPTER, 22mm OR x 1/2" FP	2	30548
4	SWIVEL, 1/2" MP x 1/2" FPX 90° (SHORT)	5	27145
5	SWIVEL, 1/2" MP x 1/2" FPX	1	6T4240
6	SWIVEL, 5/8" OR x 1/2" FPX	1	TB1094
7	SWIVEL, 5/8" OR x 1/2" FPX 90°	1	TB1095
8	HOSE, 1/4" x 130" (3/8" MORB 90° x 1/4" FFS 45°)	1	31969
9	UNION, 3/8" OR x 1/4" MP	1	27085
10	TEE, 1/4" MP x 1/4" FPX x 1/4" FPX	1	30054
11	ADAPTER, 1/2" OR x 1/4" FP	1	6T4234
12	ACCUMULATOR	1	24300
13	HOSE, 1/2" x 134" (MP - MP)(RETURN)(PRES)	2	31016
14	HOSE, 1/4" x 60" (1/2" MP - 1/2" MOR 90°) (F)(G)	2	28894
15	HOSE, 1/4" x 55" (1/4" MP - 1/2" MP)(A)	1	TB2035
16	HOSE, 1/4" x 46" (1/4" MP - 1/2" MOR 90°)	1	28896
17	HOSE, 1/4" x 130" (1/4" MP - 1/2" MORB 90°)(H,J,K)	3	30483
18	HOSE, 1/4" x 72" (5/16" MJ - 1/2" MOR 90°) (B,C,D,E)	4	28895
19	ELBOW, 3/8" OR x 1/4" MP 90°	2	27084
20	BREATHER	1	THS1118
21	SWING CYLINDER	1	THS1116
22	LIFT CYLINDER	1	THS1117
23	QUICK COUPLER, 1/4" FEMALE	3	6T4261
24	QUICK COUPLER, 1/4" MALE	3	6T4260

**BOOM/SWEEPER
LIFT CONTROL FEEDLINE ASSEMBLY
JOHN DEERE 6200 - 6400, CAB**

HOSE ROUTING TO BOOM
AND SWIVEL CYLINDER

- A TO MAIN BOOM CYLINDER GLAND
- B TO SECONDARY BOOM CYLINDER GLAND
- C TO SECONDARY BOOM CYLINDER BUTT
- D TO DECK CYLINDER GLAND
- E TO DECK CYLINDER BUTT
- F TO SWIVEL CYLINDER GLAND
- G TO SWIVEL CYLINDER BUTT

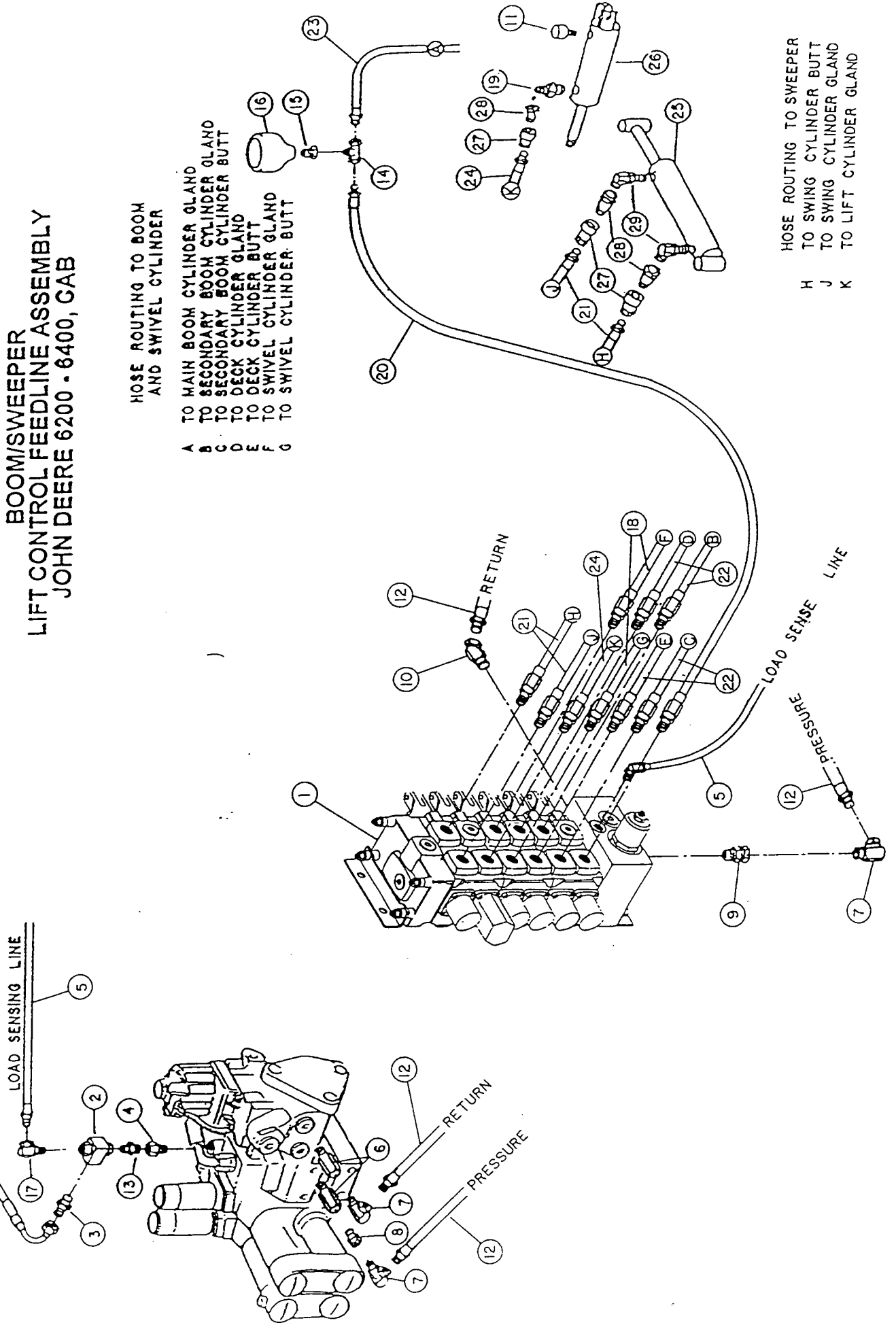
- H HOSE ROUTING TO SWEEPER
- J TO SWING CYLINDER BUTT
- K TO SWING CYLINDER GLAND
- TO LIFT CYLINDER GLAND



**BOOM/SWEEPER LIFT CONTROL FEEDLINE ASSEMBLY
JOHN DEERE 6200 - 6400, CAB**

REF. NO.	PARTS DESCRIPTION	NO. REQ.	PART NO.
1	VALVE, 6-SPOOL, TRB/SWEEPER	1	31525
1a	VALVE, 6-SPOOL, TBF/SWEEPER	OPT.	31527
2	TEE, SHUTTLE, 1/4" FP x 1/4" FP x 1/4" FP	1	28893
3	UNION, 3/8" FFS x 1/4" MP	1	28864
4	UNION, 14MM MOR x 1/4" FP	1	28858
5	HOSE, 1/4" x 52" (1/4" MP - 3/8" ORB 90°) (LOAD SENSE)	1	28923
6	ADAPTER, 22mm OR x 1/2" FP	2	30548
7	SWIVEL, 1/2" MP x 1/2" FPX 90° (SHORT)	3	27145
8	SWIVEL, 1/2" MP x 1/2" FPX	1	6T4240
9	SWIVEL, 5/8" OR x 1/2" FPX	1	TB1094
10	SWIVEL, 5/8" OR x 1/2" FPX 90°	1	TB1095
11	BREATHER	1	THS1118
12	HOSE, 1/2" x 50" (MP - MP) (RETURN) (PRES)	2	6T1412
13	UNION, 1/4" MP x 1/4" MP	1	6T4278
14	TEE, 1/4" MP x 1/4" FPX x 1/4" FPX	1	30054
15	ADAPTER, 1/2" OR x 1/4" FP	1	6T4234
16	ACCUMULATOR	1	24300
17	SWIVEL, 1/4" MP x 1/4" FPX 90°	1	6T4216
18	HOSE, 1/4" x 72" (1/2" MP - 1/2" MOR 90°) (F)	1	28859
19	HOSE, 1/4" x 77" (1/2" MP - 1/2" MOR 90°) (G)	1	28860
20	HOSE, 1/4" x 90" (1/4" MP - 1/2" MOR 90°)	1	28988
21	HOSE, 1/4" x 180" (1/4" MP - 1/2" MORB 90°)(H,J)	2	30098
22	HOSE, 1/4" x 98" (5/16" MJ - 1/2" MOR 90°) (B,C,D,E)	4	28863
23	HOSE, 1/4" x 55" (1/4" MP - 1/2" MP)	1	TB2035
24	HOSE, 1/4" x 193" (1/4" MP - 1/2" MORB 90°)(K)	1	30099
25	SWING CYLINDER	1	THS1116
26	LIFT CYLINDER	1	THS1117
27	QUICK COUPLER, 1/4" FEMALE	3	6T4261
28	QUICK COUPLER, 1/4" MALE	3	6T4260
29	ELBOW, 3/8" OR x 1/4" MP 90°	2	27084
30	UNION, 3/8" OR x 1/4" MP	1	27085

**BOOM/SWEEPER
LIFT CONTROL FEEDLINE ASSEMBLY
JOHN DEERE 6200 - 6400, CAB**



HOSE ROUTING TO BOOM
AND SWIVEL CYLINDER

- A TO MAIN BOOM CYLINDER GLAND
- B TO SECONDARY BOOM CYLINDER GLAND
- C TO SECONDARY BOOM CYLINDER BUTT
- D TO DECK CYLINDER GLAND
- E TO DECK CYLINDER BUTT
- F TO SWIVEL CYLINDER GLAND
- G TO SWIVEL CYLINDER BUTT

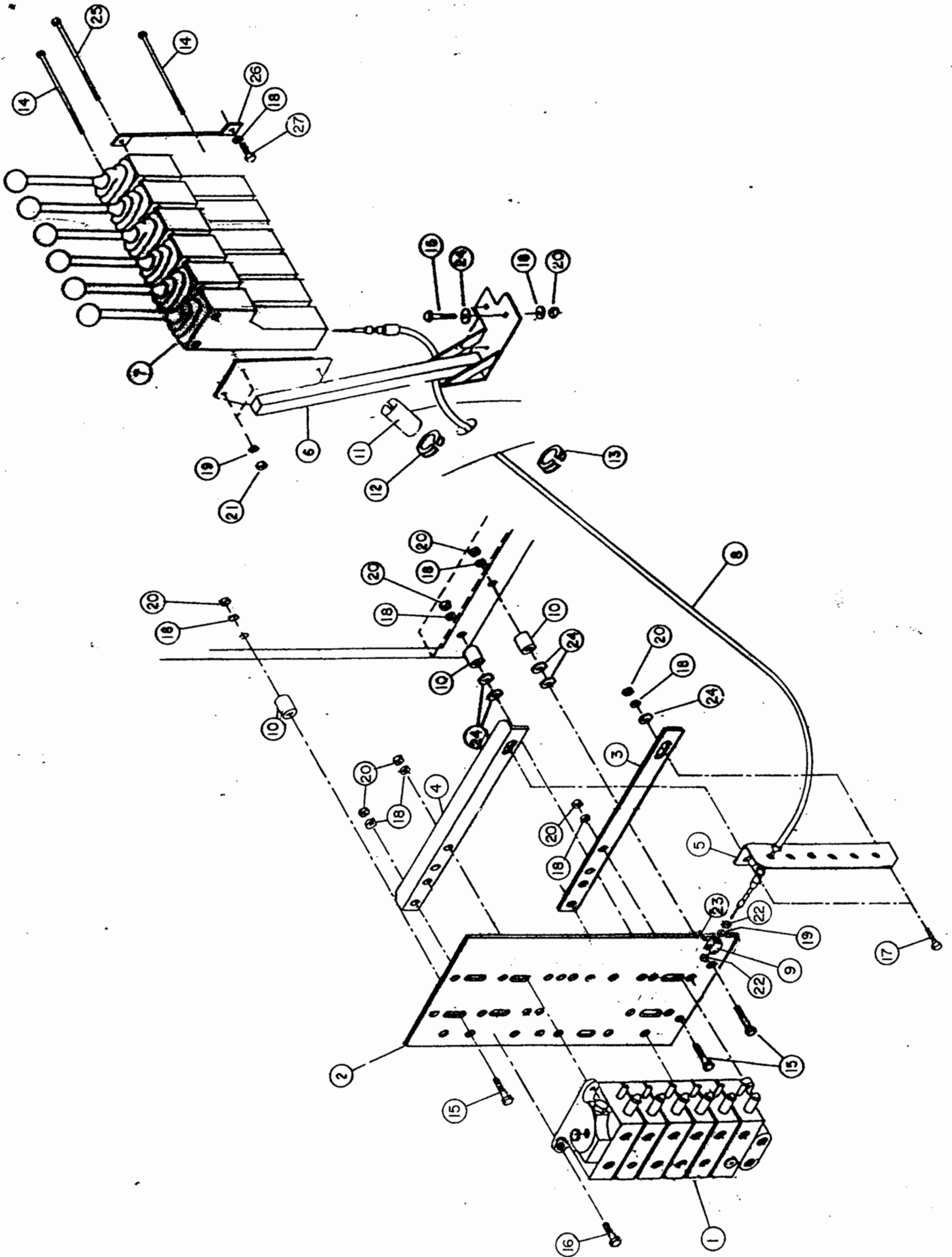
HOSE ROUTING TO SWEEPER
TO SWING CYLINDER BUTT
TO SWING CYLINDER GLAND
TO LIFT CYLINDER GLAND

- H
- J
- K

**BOOM LIFT CONTROL FEEDLINE ASSEMBLY
JOHN DEERE 6200 - 6400, CAB, MAST MOUNT**

REF. NO.	PARTS DESCRIPTION	NO. REQ.	PART NO.
1	VALVE, 6-SPOOL, HV07, TRB/SWEEPER	1	28985
2	TEE, SHUTTLE, 1/4" FP x 1/4" FP x 1/4" FP	1	28893
3	UNION, 3/8" FFS x 1/4" MP	1	28864
4	UNION, 14MM MOR x 1/4" FP	1	28858
5	HOSE, 1/4" x 116" (1/4" MP - 3/8" ORB 90°) (LOAD SENSE)	1	30078
6	ADAPTER, 22mm OR x 1/2" FP	2	30548
7	SWIVEL, 1/2" MP x 1/2" FPX 90° (SHORT)	3	27145
8	SWIVEL, 1/2" MP x 1/2" FPX	1	6T4240
9	SWIVEL, 5/8" OR x 1/2" FPX	1	TB1094
10	SWIVEL, 5/8" OR x 1/2" FPX 45°	1	TB1096
11	BREATHER	1	THS1118
12	HOSE, 1/2" x 120" (MP - MP) (RETURN) (PRES)	2	6T7027
13	UNION, 1/4" MP x 1/4" MP	1	6T4278
14	TEE, 1/4" MP x 1/4" FPX x 1/4" FPX	1	30054
15	ADAPTER, 1/2" OR x 1/4" FP	1	6T4234
16	ACCUMULATOR	1	24300
17	SWIVEL, 1/4" MP x 1/4" FPX 90°	1	6T4216
18	HOSE, 1/4" x 60" (1/2" MP - 1/2" MOR 90°) (F, G)	1	28894
19	UNION, 3/8" OR x 1/4" MP	1	27085
20	HOSE, 1/4" x 39" (1/4" MP - 1/2" MOR 90°)	1	30031
21	HOSE, 1/4" x 102" (1/4" MP - 1/2" MORB 90°)(H,J)	2	30259
22	HOSE, 1/4" x 72" (5/16" MJ - 1/2" MOR 90°) (B,C,D,E)	4	28895
23	HOSE, 1/4" x 55" (1/4" MP - 1/2" MP) (A)	1	TB2035
24	HOSE, 1/4" x 116" (1/4" MP - 1/2" MORB 90°)(K)	1	30103
25	SWING CYLINDER	1	THS1116
26	LIFT CYLINDER	1	THS1117
27	QUICK COUPLER, 1/4" FEMALE	3	6T4281
28	QUICK COUPLER, 1/4" MALE	3	6T4260
29	ELBOW, 3/8" OR x 1/4" MP 90°	2	27084

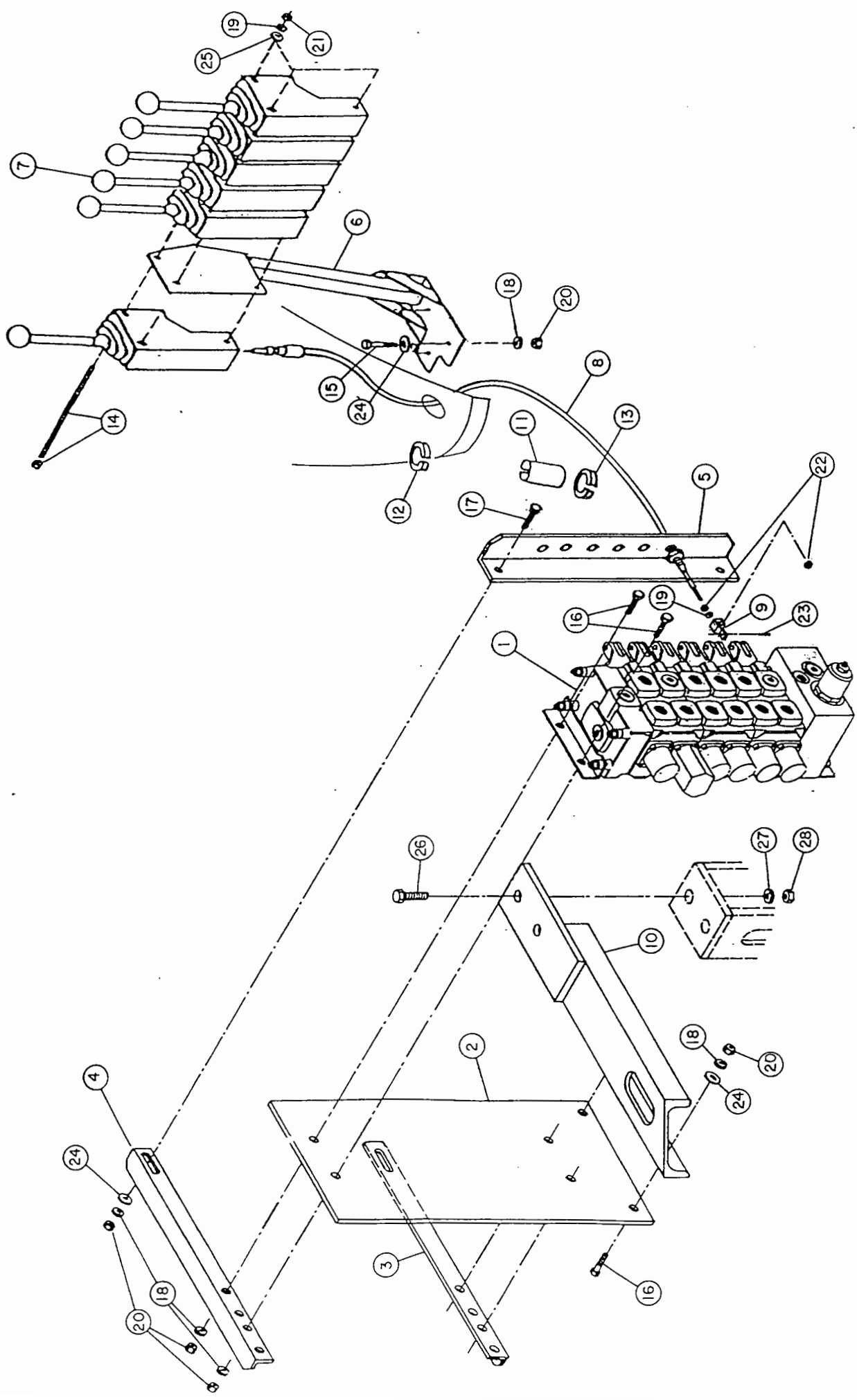
BOOM CABLE CONTROL ASSEMBLY PB 80586 08-14-95



**BOOM / LOADER CABLE CONTROL ASSEMBLY
JOHN DEERE 6200 - 6400, CAB**

REF. NO.	PARTS DESCRIPTION	NO. REQ.	PART NO.
1	VALVE, 6-SPOOL	REF.	*
2	MOUNTING PLATE	1	28856C
3	VALVE PLATE MOUNTING ANGLE, LF	1	22148-1D
4	VALVE PLATE MOUNTING ANGLE, RT	1	22148-2D
5	CABLE MOUNTING ANGLE	1	6T4330
6	CABLE CONTROL MOUNTING BRACKET	1	23865B
7	CABLE CONTROL BOX, 180°	6	6T1251
8	CONTROL CABLES, 72" W/HARDWARE	6	6T4415
9	CABLE CONTROL CLEVIS	6	6T4411
10	SPACER 1" OD x 7/16" ID x 1-1/2"	3	27082
11	SPLIT HOSE, 6"	1	6T3200
12	TRIM LOCK	8"	TB3440
13	TRIM LOCK	8"	28053
14	REDI-ROD, 1/4" x 10-1/2" NC (W/NUT)	2	6T2188
15	CAPSCREW, 3/8" x 2-1/4" NC	6	21635
16	CAPSCREW, 3/8" x 1-1/4" NC	4	21631
17	CAPSCREW, 3/8" x 1" NC	2	21630
18	LOCKWASHER, 3/8"	13	21988
19	LOCKWASHER, 1/4"	9	21986
20	HEX NUT, 3/8" NC	12	21625
21	HEX NUT, 1/4" NC	3	21525
22	HEX NUT, 1/4" NF	12	21500
23	ROLL PIN	6	6T3017
24	FLATWASHER, 3/8"	9	22016
25	REDI-ROD, 1/4" x 11" NC (W/NUT)	1	6T2189
26	SUPPORT BRACKET	1	30750A
27	CAPSCREW, 10mm x 25mm (1.5 PITCH)	1	27513

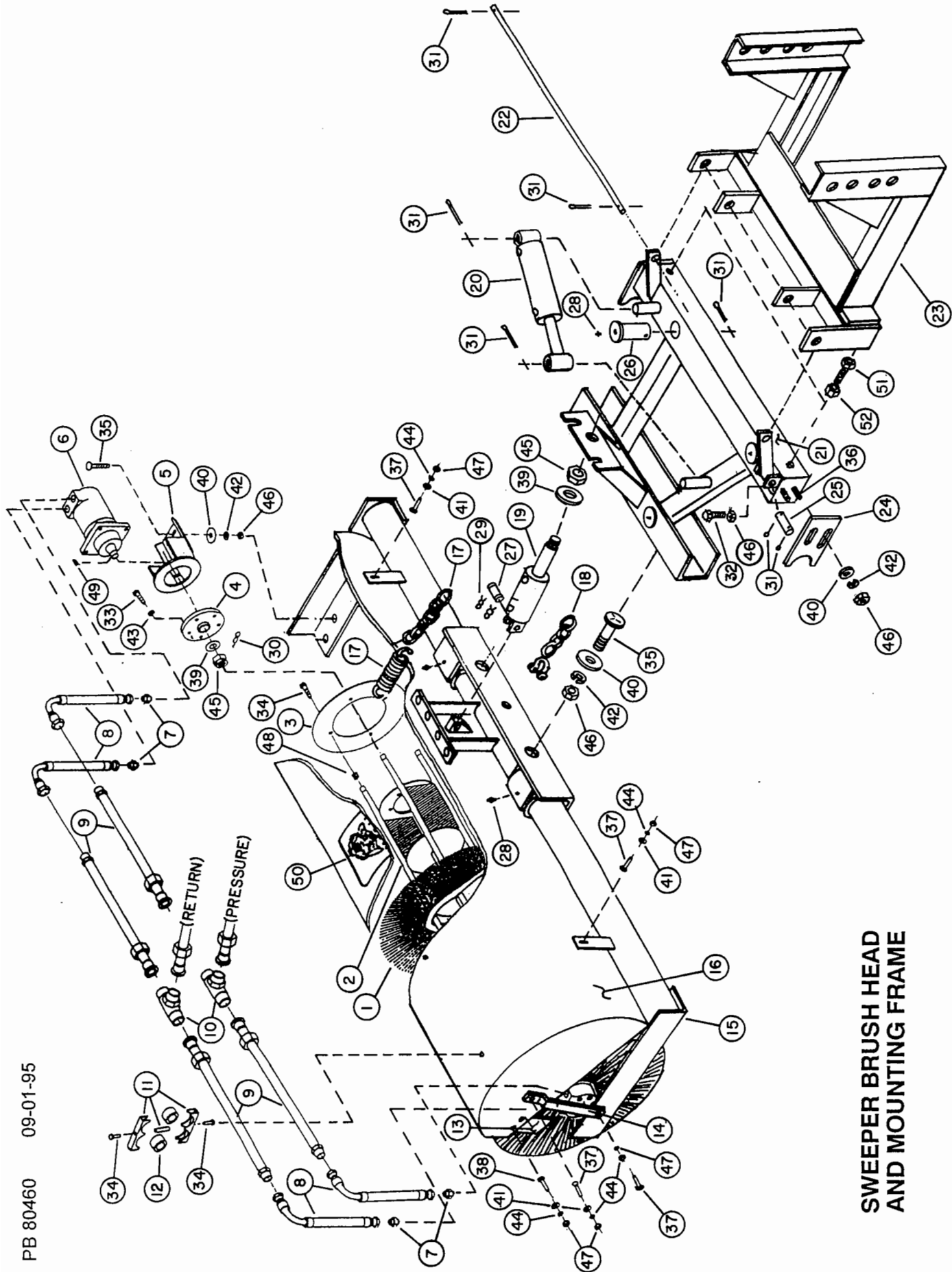
* Refer To Lift Control Feedline Assembly For Valve Information



BOOM / SWEEPER CABLE CONTROL ASSEMBLY
 JD 6200 - 6400, MAST MOUNT

REF. NO.	PARTS DESCRIPTION	NO. REQ.	PART NO.
1	VALVE, 6-SPOOL, HV07	1	30766
2	MOUNTING PLATE, HV07	1	22148-1D
3	VALVE PLATE MOUNTING ANGLE, LF	1	22148-2D
4	VALVE PLATE MOUNTING ANGLE, RT	1	28856
5	CABLE MOUNTING ANGLE	1	23865B
6	CABLE CONTROL MOUNTING BRACKET	1	6T1251
7	CABLE CONTROL BOX, 180°	6	6T4415
8	CONTROL CABLES, 72" W/HARDWARE	6	28711
9	CABLE CONTROL CLEVIS	1	6T4475
10	CABLE CONTROL MOUNTING ARM	1	6T3200
11	SPLIT HOSE, 6"	8"	TB3440
12	TRIM LOCK	8"	28053
13	TRIM LOCK	3	6T2189
14	REDI-ROD, 1/4" x 11" NC (W/NUT)	3	21635
15	CAPSCREW, 3/8" x 2-1/4" NC	3	21631
16	CAPSCREW, 3/8" x 1-1/4" NC	6	21630
17	CAPSCREW, 3/8" x 1" NC	2	21988
18	LOCKWASHER, 3/8"	11	21986
19	LOCKWASHER, 1/4"	9	21625
20	HEX NUT, 3/8" NC	11	21525
21	HEX NUT, 1/4" NC	3	21500
22	HEX NUT, 1/4" NF	12	28909
23	ROLL PIN, 5MM x 20MM	6	22016
24	FLATWASHER, 3/8"	7	22014
25	FLATWASHER, 1/4"	3	21783
26	CAPSCREW, 5/8" x 2" NC	2	21892
27	LOCKWASHER, 5/8"	2	21775
28	HEX NUT, 5/8" NC	2	

* Refer To Lift Control Feedline Assembly For Valve Information



**SWEPPER BRUSH HEAD
AND MOUNTING FRAME**

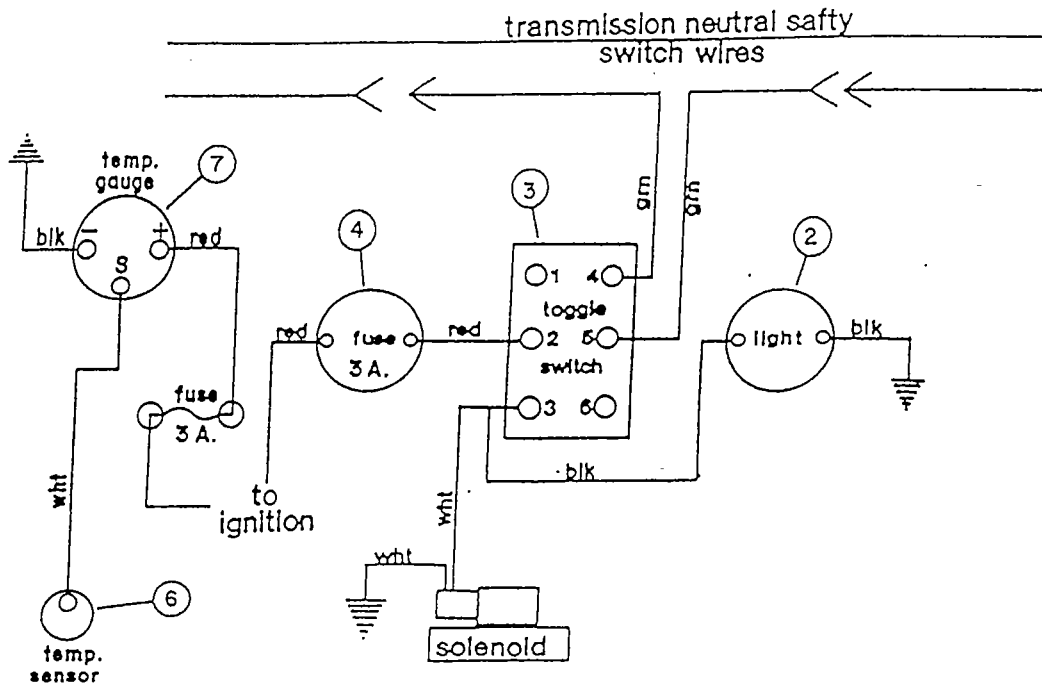
SWEEPER BRUSH HEAD AND MOUNTING FRAME

REF.		PART		REF.		PART		NO.		PART		NO.	
NO.	PARTS DESCRIPTION	REQ.	NO.	NO.	PARTS DESCRIPTION	REQ.	NO.	NO.	PARTS DESCRIPTION	REQ.	NO.	NO.	PART NO.
1a	BRUSH SET 8' (1/2 POLY - 1/2 WIRE)	1	THS1001	20	SWING CYLINDER	REF.		REF.					
1b	BRUSH SET 7' (1/2 POLY - 1/2 WIRE)	OPT.	THS1002	21	SWING FRAME	1		1					THS1100
1c	BRUSH SET 6' (1/2 POLY - 1/2 WIRE)	OPT.	THS1003	22	CONNECTING ROD	1		1					THS1105
1d	BRUSH SET 8' (ALL POLY)	OPT.	THS1006	23a	MOUNTING FRAME	1		1					THS1050
1e	BRUSH SET 7' (ALL POLY)	OPT.	THS1007	23b	MOUNTING FRAME	AVAIL.		AVAIL.					24764
1f	BRUSH SET 6' (ALL POLY)	OPT.	THS1008	23c	MOUNTING FRAME	AVAIL.		AVAIL.					THS1051
1g	BRUSH SET 8' (ALL WIRE)	OPT.	THS1011	24	SUPPORT YOKE	2		2					25415
1h	BRUSH SET 7' (ALL WIRE)	OPT.	THS1012	25	PIN 7/8" x 3"	1		1					25416
1j	BRUSH SET 6' (ALL WIRE)	OPT.	THS1013	26	PIN 1-1/4" x 6"	4		4					25417
2a	CORE 8'	1	25406	27	PIN 1" x 3"	1		1					25418
2b	CORE 7'	OPT.	25407	28	GREASE ZERK 1/8" x STRAIGHT	6		6					6T3211
2c	CORE 6'	OPT.	25408	29	HAIR PIN CLIP	2		2					25425
3	RETAINER RING	1	25410	30	R-CLIP	2		2					25426
4	CORE HUB	2	25409	31	COTTER PIN 5/32" x 2"	10		10					REF.
5	MOTOR HOUSING	2	25411	32	CAPSCREW 5/8" x 3" NC	1		1					25424
6	BRUSH MOTOR	2	25412	33	CAPSCREW 7/16" x 1" NF	10		10					REF.
7	FITTING 7/8" - 14 O-RING x MFS	4	25405	34	CAPSCREW 5/16" x 1" NC	12		12					21580
8	HOSE 5/8" x 16-1/8" FFS	4	25403	35	CARRIAGE BOLT 5/8" x 1-3/4" NC	7		7					25419
9a	TUBE ASSEMBLY 8'	4	25402	36	CARRIAGE BOLT 5/8" x 1-1/2" NC	4		4					25420
9b	TUBE ASSEMBLY 7'	OPT.	25401	37	CARRIAGE BOLT 3/8" x 1-1/4" NC	6		6					25421
9c	TUBE ASSEMBLY 6'	OPT.	25400	38	CARRIAGE BOLT 3/8" x 1" NC	4		4					6T2283
10	TEE 3/4" FACE SEAL	2	25404	39	FLAT WASHER 1"	3		3					22023
11	CLAMP ASSEMBLY (WITH NUT)	4	25413	40	FLAT WASHER 5/8"	11		11					22020
12	BUSHING 3/4" (RUBBER)	8	25414	41	FLAT WASHER 3/8"	8		8					22016
13	BRISTLE SHIELD	2	THS1203	42	LOCKWASHER 5/8"	11		11					21992
14	HOOD BRACKET	2	THS1202	43	LOCKWASHER 7/16"	10		10					21989
15a	BRUSH HEAD FRAME 8'	1	THS1021	44	LOCKWASHER 3/8"	10		10					21988
15b	BRUSH HEAD FRAME 7'	OPT.	THS1022	45	HEX NUT 1" NF	3		3					REF.
15c	BRUSH HEAD FRAME 6'	OPT.	THS1023	46	HEX NUT 5/8" NC	12		12					21775
16a	HOOD 8'	1	THS1016	47	HEX NUT 3/8" NC	10		10					21625
16b	HOOD 7'	OPT.	THS1017	48	CLIP NUT 5/16"	4		4					25422
16c	HOOD 6'	OPT.	THS1018	49	KEY	2		2					25423
17	SPRING/CHAIN ASSEMBLY	1	THS1122	50	DECAL, TIGER LOGO, 10" x 5.5"	1		1					31522
18	CHAIN (WITH CLEVIS)	1	THS1121	51	CAPSCREW, 3/4" x 3" NC	2		2					21836
19	LIFT CYLINDER	REF.	*	52	HEX NUT, 3/4" NC	2		2					21825

*Refer To Lift Feedline Assembly For Cylinder Information

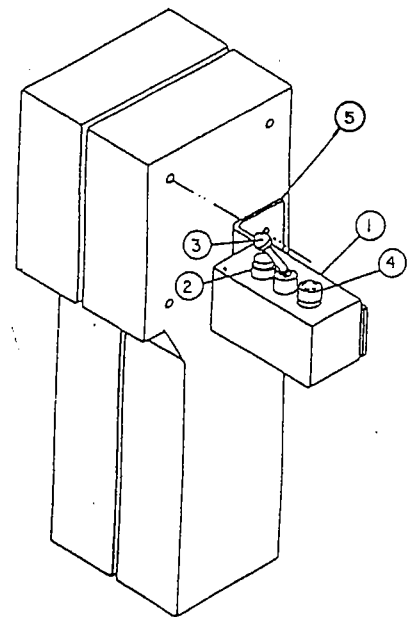
PB 80460

09-01-95



SOLENOID VALVE SWITCH AND WIRING INSTALLATION CABLE CONTROLS

REF. NO.	PARTS DESCRIPTION	NO. REQ.	PART NO.
	SWITCH ASSEMBLY	AVAIL.	27401
1	SWITCH BOX	1	31301
2	SWITCH "ON" LIGHT	1	6T3923
3	SWITCH HARNESS	1	PT3905A
4	FUSE HOLDER	1	6T3924
5	SWITCH MOUNTING BRKT.	1	6T3949A
6	TEMPERATURE SENSOR	OPT.	6T3931
7	OIL TEMPERATURE GAUGE	OPT.	6T3934



ADDITIONAL PARTS NOT ILLUSTRATED

BOOM SAFETY SCREEN ASSEMBLY

PARTS DESCRIPTION	NO. REQ.	PART NO.
SAFETY SCREEN	1	28902
SAFETY SCREEN, LOWER HINGE BRKT	1	28903
SAFETY SCREEN, MOUNTING BRKT	1	28904
SAFETY SCREEN, MOUNTING PLATE	1	28905
SAFETY SCREEN, LOWER HINGE BRKT	1	28907
CAPSCREW, 8MM x 20MM (1.25 PITCH)	2	27508
LOCKWASHER, 8MM	2	6T2619
CAPSCREW, 1/4" x 1" NC	4	21530
CAPSCREW, 5/16" x 1" NC	1	21580
NYLOCK NUT, 1/4" NC	4	21527
NYLOCK NUT, 5/16" NC	1	21577
RUBBER PAD, 4" x 4"	1	30707
SPACER, 1" O.D. x 7/16" I.D. x 1-1/2"	1	27082

BOOM MOWER WHEEL WEIGHT KIT

PARTS DESCRIPTION	NO. REQ.	PART NO.
WHEEL WEIGHT, 3 HOLE, 14-1/2" O.C.	1	TB3228
CAPSCREW 3/4" x 21" NC	3	28899
HEX NUT 3/4" NC	3	21825
FLAT WASHER 3/4"	6	22021
LOCKWASHER 3/4"	3	21993

