

JD 52-5525 TRIPLE EGRESS

TRIPLE EGRESS SECTION

ASSEMBLY - TRIPLE EGRESS, CAB

TRIPLE EGRESS MOUNTING

Park the tractor on a flat, hard, level surface. Lower both side decks down onto the hard surface. Make sure the engine is off and the park brake has been set. Operate the lift controls several times to release any pressure contained in the hydraulic lift system. Disconnect the positive battery cable from the battery. Then remove the right rear wheel from the tractor. Next remove the left side deck lift hoses from the lift valve and both lift cylinders, mark or label valve ports and cylinders as hoses are removed.

Install the egress switch box brackets on the left side of the mower pump mounting bracket, using hardware supplied. See pictures on next page. After the bracket is secured, then remove the front cover from the switch box, and install the switch box back half to the switch box bracket with (4) 8/32 x 1/2" machine screws. Reinstall the front cover onto the switch box.

Install the egress pump mounting bracket onto the right side of the tractor located under the cab in front of the right rear axle using hardware provided. Next preassemble the rear half of the pump cover onto the egress pump with the hardware provided, do not tighten bolt at this time. Connect the hoses for the C1 port to the egress pump port only. Do not tighten hoses at this time. The pump is now ready to be mounted to the pump mounting bracket. Secure egress pump to the bracket with the hardware provided.

Locate the ports on the egress pump labeled "A1", "A2", "B1", "B2", "C1" and "C2", these ports will be the connection points for the hydraulic lift lines.

A1 port - to lift valve -- left hand outboard cylinder gland

A2 port - to cylinder -- left hand outboard cylinder gland

B1 port - to lift valve -- left hand outboard cylinder butt

B2 port - to cylinder -- left hand outboard cylinder butt

C1 port - to lift valve -- left hand inboard cylinder gland

C2 port - to cylinder -- left hand inboard cylinder gland

Route the hoses to the lift valve and or cylinder as specified above, tighten all hose fittings. Refer to the Parts section for the location of hose connections on the lift valve.

Now that the hydraulic lines are installed, connect the power cable from the positive post of the egress pump solenoid to the tractor starter solenoid positive post. Also connect the ground cable from the negative post on the egress pump electric motor to a bracket mounting bolt on the frame. Then route the cable from the switch box along the tractor to the egress pump and connect the male to the female plug. Secure cable with cable tie.

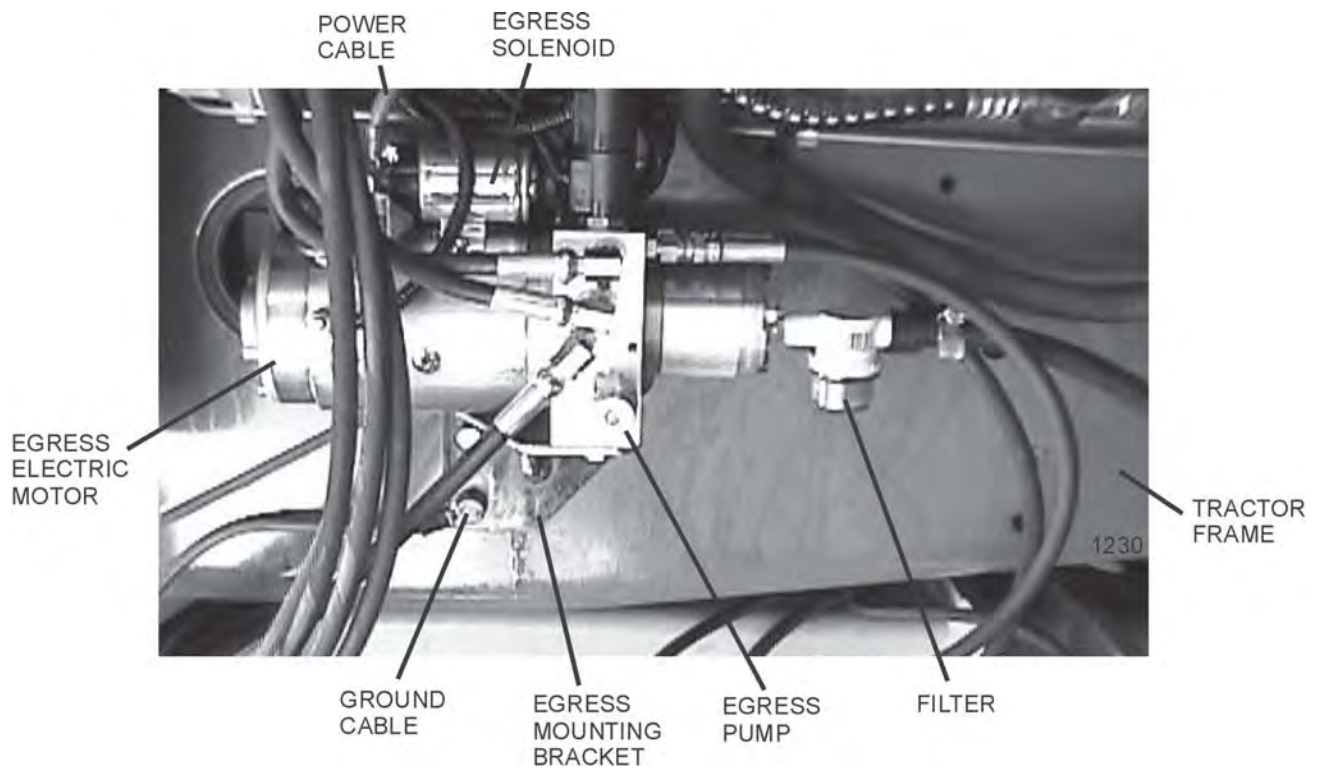
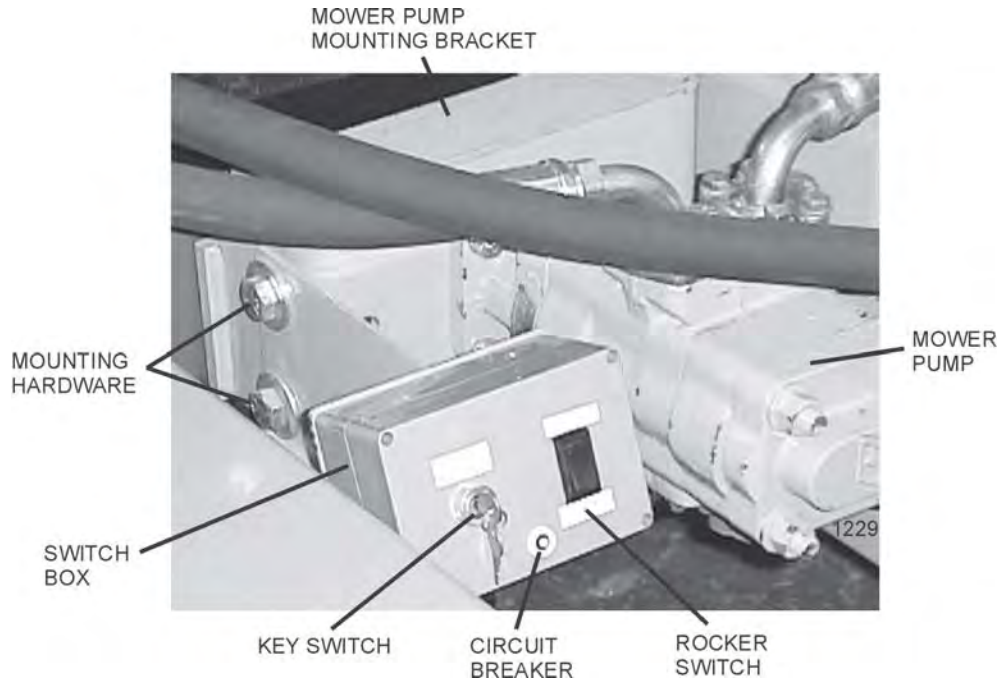
Next remove the drain plug on the bottom of the tractors transmission, **CAUTION** hydraulic oil will come out and maybe hot. Oil loss can be reduced by attaching a shop vacuum to the tractor transmission fill neck. Install fittings into the transmission drain hole, refer to part section for parts and illustrations. Connect the suction hose from the filter to the fittings on the tractor transmission, cut the hose to the required length. Install a hose clamp both end of the hose.

Install the front half of the cover onto the egress pump with provided hardware. Make sure all mounting hardware and hose connections are tight. Check hydraulic oil level and add if required. Reinstall the right rear wheel and reconnect the positive battery cable to the battery.

ASSEMBLY - TRIPLE EGRESS, CAB

TRIPLE EGRESS MOUNTING CONTINUED

NOTE: Use the egress pump **ONLY** to lifting or lowering the head for storage, or transportation by trailer. When the egress pump is not in use make sure the switch box key is in the "off" position and key has been removed.



OPERATION - TRIPLE EGRESS, CAB

EGRESS OPERATION

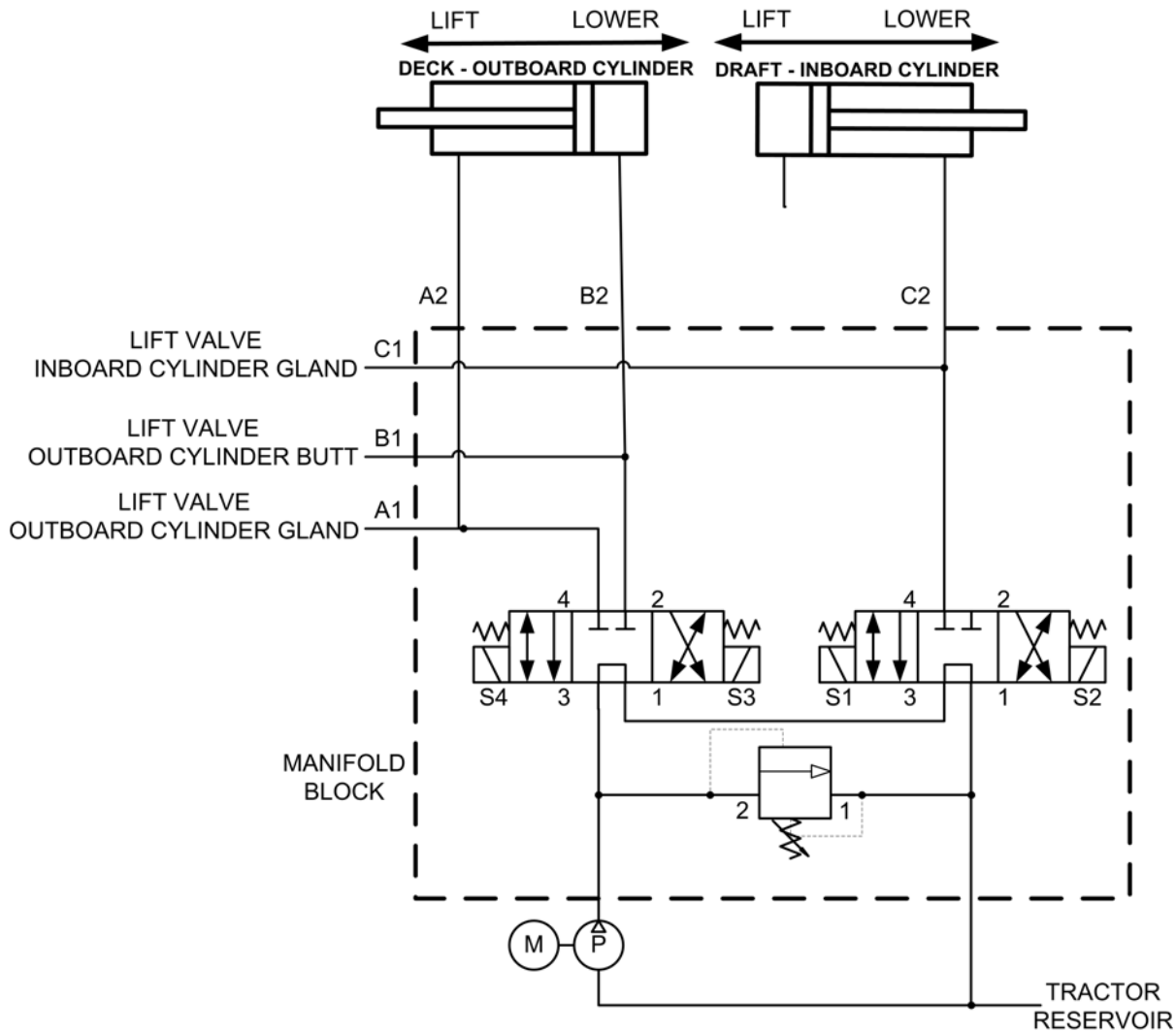
When operating the egress system to lift the deck, turn the key to the "DRAFT" position and push the rocker switch to the "LIFT" position and it will lift the draft beam. Once the draft beam is lifted to the highest position, then turn the key to the "DECK" position and push the rocker switch to the "LIFT" position, and that will raise the deck up to the travel lock. To seat the deck into the travel lock turn the key back to the "DRAFT" position and push the rocker switch to the "LOWER" position, until the deck is fully seated into the travel lock. Turn the key to the "OFF" position and remove the key. To lower the deck in sert key and reverse the steps that were done to raise the deck.

WARNING!



CAUTION: Never leave the key in the egress switch box. Field conditions can shake the key out of the switch box and become lost. Also personal injury or death can occur from sudden dropping or inadvertent operation of the controls. Make certain the area is clear before lowering or raising the deck.

TRIPLE EGRESS HYDRAULIC DIAGRAM



TRIPLE EGRESS TROUBLESHOOTING

FAILURE MODE:

- DECK OR DRAFT CYLINDER ONLY GOES ONE WAY.
- DECK OR DRAFT CYLINDER WILL NOT STAY IN POSITION.
- WILL OPERATE WITH LIFT VALVE, BUT NOT WITH EGRESS.
- EGRESS DOES NOT OPERATE AS FAST AS IT USED TO.

CHECK STEPS

- 1 and 2
- 1 and 2
- 3 and 5
- 3 and 4

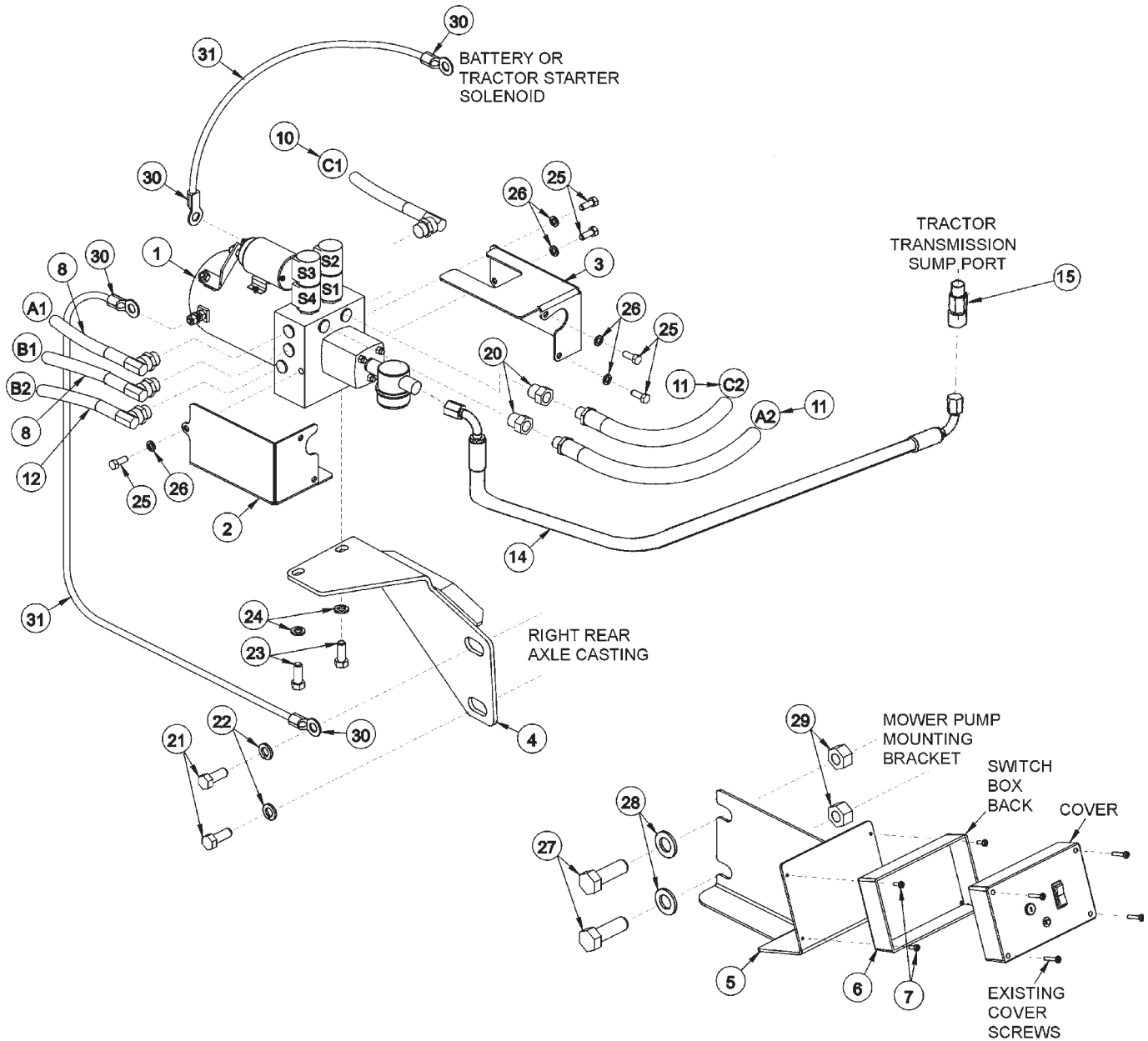
CORRECTIVE STEPS:

1. Remove relief valve installed on tractor lift valve. Visually inspect for contamination.
2. Remove solenoid valve (S1, S2, S3, S4) from egress unit and verify spool shift.
3. Remove relief valve from egress unit and visually inspect for contamination.
4. Inspect suction strainer for contamination.
- 5a. Verify supply voltage at pump motor posts on egress.
- 5b. Verify voltage at pump motor relay while switches are activated.
- 5c. Verify voltage at solenoid valve (S1, S2, S3, S4) on egress unit.
- 5d. Check or reset circuit breaker.

NOTE:

1. All voltage readings must be between 10.2 volts and 13.8 volts.

PUMP MOUNTING - TRIPLE EGRESS, CAB



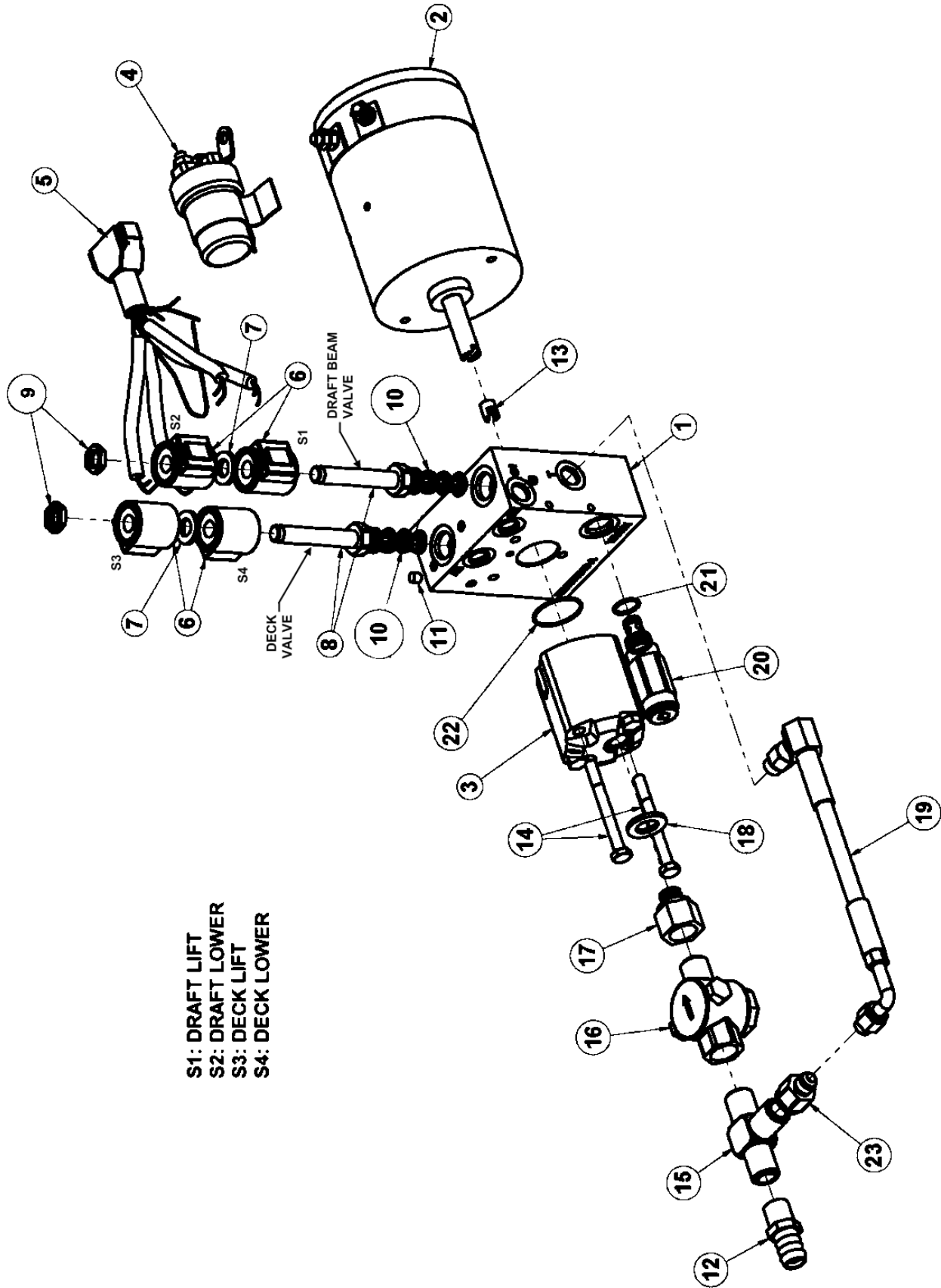
HOSE ROUTING

- A1 PORT - TO LIFT VALVE -- LEFT HAND OUTBOARD CYLINDER GLAND
- A2 PORT - TO CYLINDER -- LEFT HAND OUTBOARD CYLINDER GLAND
- B1 PORT - TO LIFT VALVE -- LEFT HAND OUTBOARD CYLINDER BUTT
- B2 PORT - TO CYLINDER -- LEFT HAND OUTBOARD CYLINDER BUTT
- C1 PORT - TO LIFT VALVE -- LEFT HAND INBOARD CYLINDER GLAND
- C2 PORT - TO CYLINDER -- LEFT HAND INBOARD CYLINDER GLAND

PUMP MOUNTING - TRIPLE EGRESS, CAB

ITEM	PART NO.	QTY.	DESCRIPTION
1	06510066	1	EGRESS PUMP
2	34306	1	COVER FRONT HALF
3	34307	1	COVER REAR HALF
4	34361	1	MOUNTING BRACKET EGRESS
5	34124	1	MOUNTING BRACKET SWITCH BOX
6	34123	1	SWITCHBOX
7	6T3951	4	SCREW MACHINE 8-32UNC X 1/2"
8	34437	2	HOSE 1/4" x 64" 1/2ORB90 x 3/8ORB90
10	34440	1	HOSE 1/4" x 64" 1/2ORB90 x
11	34439	2	HOSE 1/4" x 64" 3/8ORB90 x 3/8FJ
12	34438	1	HOSE 1/4" x 82" 3/8ORB90 x 3/8MJ
14	06500379	1	HOSE
15	06503103	1	ADAPTER
20	32901	2	ADAPTER
21	24860	2	CAPSCREW 20MM x 40MM
22	24881	2	LOCKWASHER 20MM
23	21629	2	CAPSCREW 3/8" X 3/4"
24	21988	2	LOCKWASHER 3/8"
25	21529	5	CAPSCREW 1/4" X 3/4"
26	21986	5	LOCKWASHER 1/4"
27	21833	2	CAPSCREW 3/4" X 2 3/4"
28	22021	2	FLATWASHER 3/4"
29	21825	2	HEX NUT 3/4"
30	23572	4	RING CONNECTOR 3/8" STUD
31	24201	12'	WIRE RED #6 GA

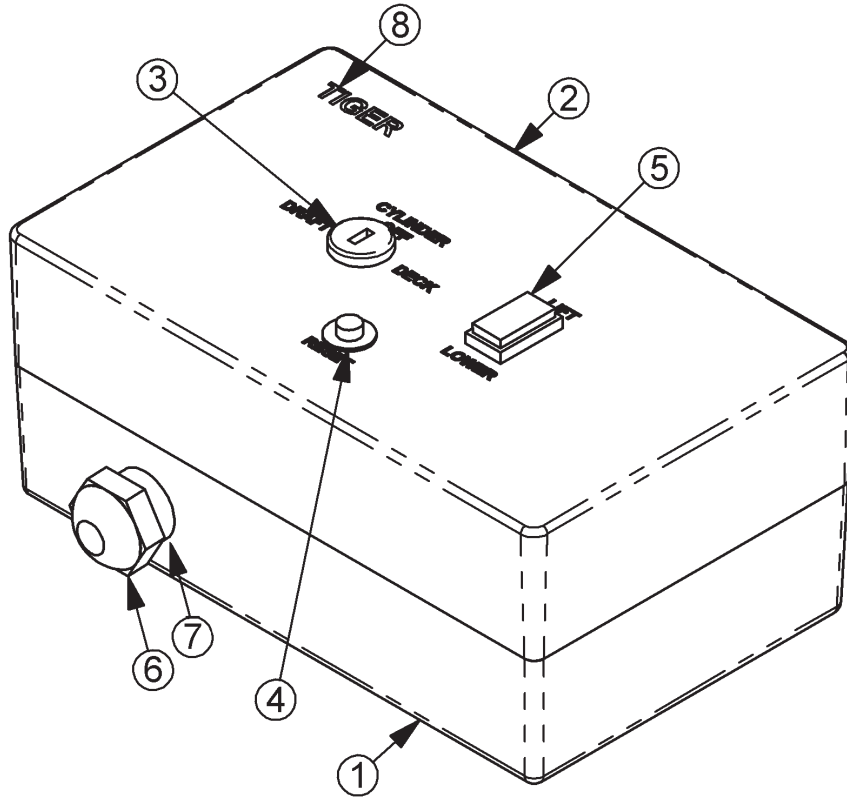
PUMP PARTS - TRIPLE EGRESS, CAB



PUMP PARTS - TRIPLE EGRESS, CAB

ITEM	P/N	QTY	DESCRIPTION
1	06510067	1	MANIFOLD,EGRESS,HYTOST,T3F
2	06510068	1	MOTOR,EGRESS,HYTOS,T3F
3	06510070	1	PUMP,EGRESS,HYTOS,T3F
4	06510170	1	RELAY,06510066
5	06510171	1	HARNESS,06510066
6	06510172	4	COIL,06510066
7	06510173	2	SPACER,06510066
8	06510174	2	SPOOL,06510066
9	06510175	2	NUT,06510174
10	06510176	6	SEALKIT,06510174
11	06510177	1	PLUG,06510066
12	06510179	1	ADAPTER,BARBx1/2NPT,06510066
13	06510180	1	COUPLING,06510066
14	06510181	2	BOLT,06510070
15	06510182	1	TEE,06510066
16	06510183	1	FILTER,06510066
17	06510184	1	ADAPTER,06510066
18	06510185	1	WASHER,06510066
19	06510186	1	HOSE,06510066
20	06510187	1	RELIEF,06510066
21	06510188	1	SEAL,06510187
22	06510189	1	SEALKIT,06510066
-	06510178	1	O-RING,06510066
23	33380.	1	ADAPTER,3/8MORBx1/2FOR

SWITCH BOX PARTS - TRIPLE EGRESS, CAB

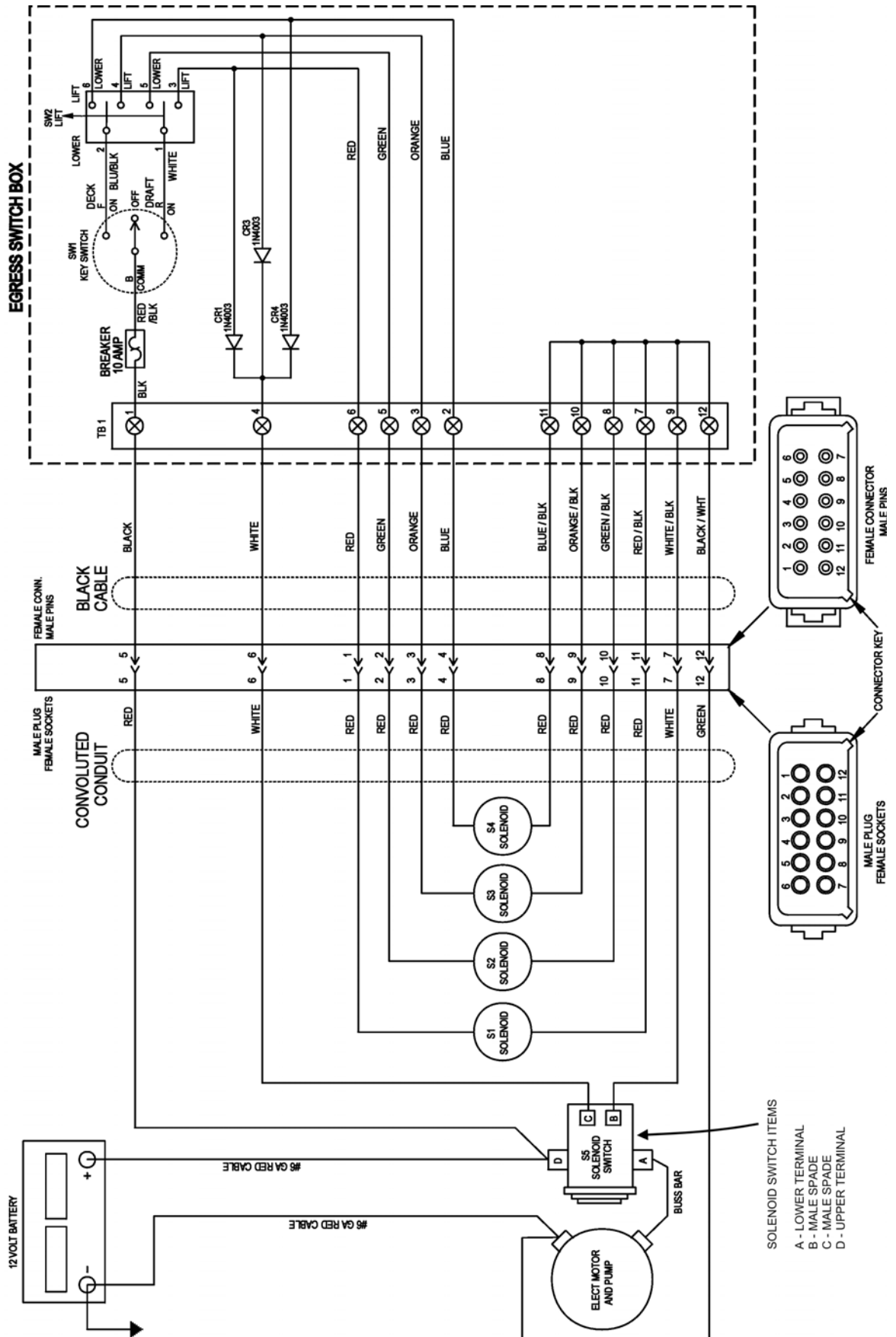


34123, SWITCH BOX ASSY, EGRESS T3F

ITEM	P/N	QTY	DESCRIPTION
1	34934	1	BOTTOM BOX, EGRESSES SWITCH BOX
2	34933	1	TOP BOX, EGRESSES SWITCHBOX
3	34937	1	KEY SWITCH, EGRESSES SWITCH BOX
4	34936	1	10 AMP CKT BRKR, EGRESSES SWITCH BOX
5	34935	1	ROCKER SWITCH, EGRESSES SWITCH BOX
6	34938	1	STRAIN RELIEF, EGRESSES SWITCH BOX
7	34939	1	3/4 LOCK NUT, EGRESSES SWITCH BOX
8	34940	1	DECAL, TIGER

TRIPLE EGRESS SCHEMATIC

TRIPLE EGRESS SCHEMATIC



Empty rectangular box at the top of the page.

Large empty rectangular box occupying the majority of the page.